

WeatherTech®

Easy-On™ Stone & Bug Deflectors

Important Safety Information

- ⚠ CAUTION - Before driving, ensure that the hood shield is properly anchored to vehicle.
- Do not use automatic “brush-style” car washes.
- Do not use cleaning solvents of any kind.
- Periodically check all components for tightness.

Contents **NOTE:** Actual product may vary from illustration.



Tools Required

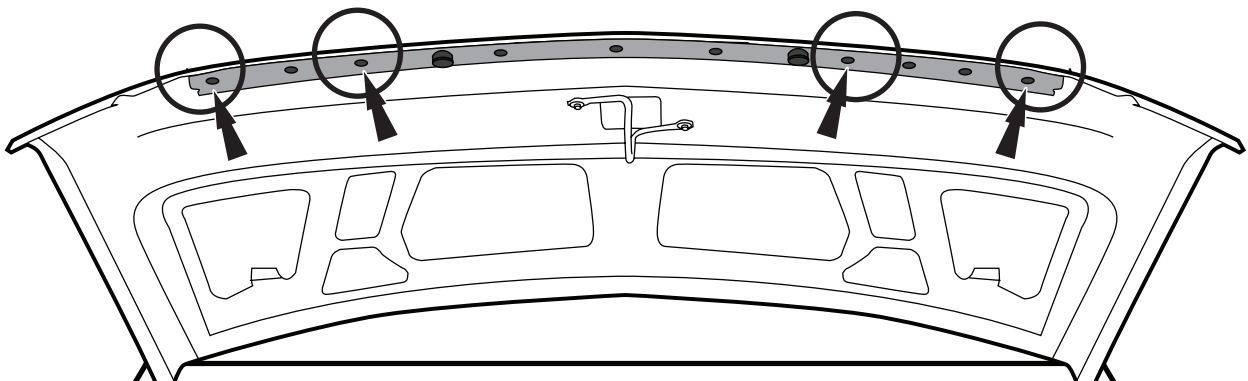


Preparation Before Painting / Installation

- A trial fit is recommended to ensure proper positioning and fit.
- Check fit of parts before painting as we will not accept the return of modified or painted parts.
- Wash and dry your vehicle to remove any debris and/or dirt from the installation area.

Installation Steps **NOTE:** Actual application may vary slightly from illustrations.

Open Hood. Locate the weatherstrip on the leading edge of the hood, and remove ONLY the (4) fasteners indicated.

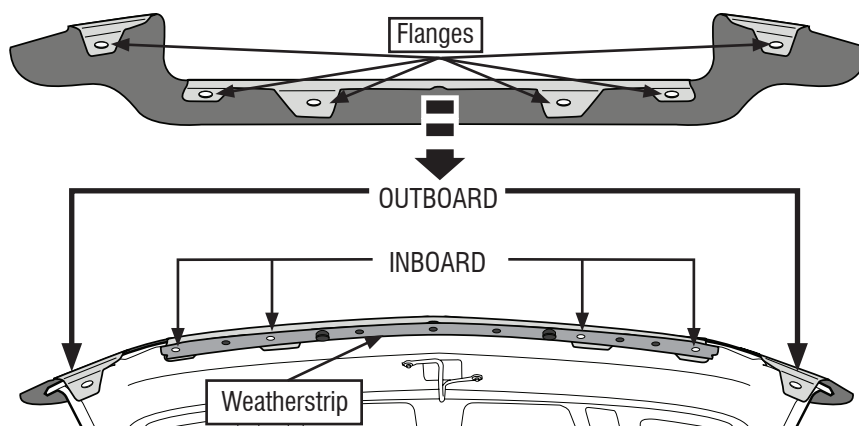


1

Installation Steps

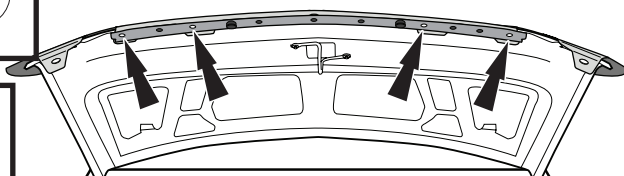
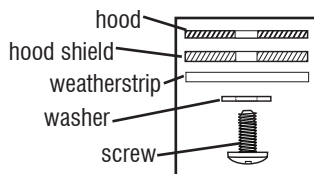
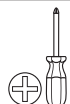
NOTE: Actual application may vary slightly from illustrations.

Center part on front edge of hood and align holes under weatherstrip. **NOTE:** weatherstrip should be OVER flanges at INBOARD locations.



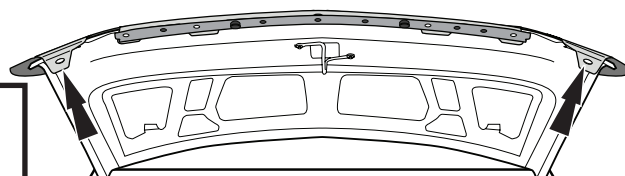
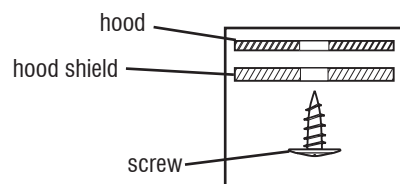
2

Install a screw with washer in each of the (4) inboard hole locations.



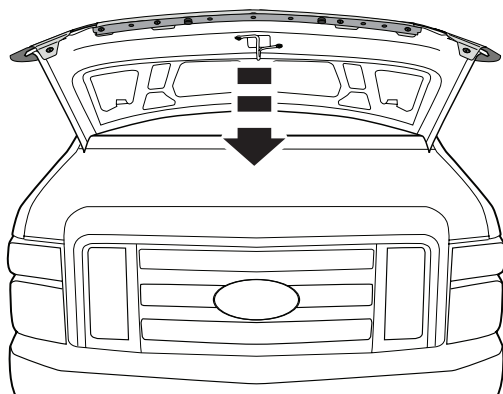
3

Install a self tapping screw in each of the (2) outboard hole locations.



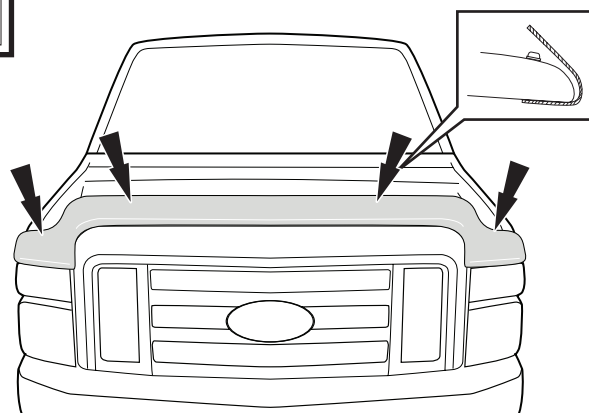
4

Close Hood.



5

Apply bump ons to surface of hood and fenders.



6

Care and Cleaning

- Wash only with mild soap & dry with a clean cloth.