

# WeatherTech®

## Easy-On™ Stone & Bug Deflectors

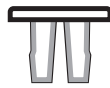
### Important Safety Information

- ⚠️ **CAUTION** - Before driving, ensure that the hood shield is properly anchored to vehicle.
- Do not use automatic “brush-style” car washes.
- Do not use cleaning solvents of any kind.
- Periodically check all components for tightness.

### Contents **NOTE:** Actual product may vary from illustration.



Hood Shield



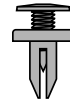
Hood Insert x2



Washer x2



Screw x2



Fastener x2



Bump On x4

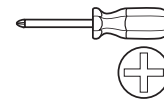
### Tools Required



Car Wash Supplies



Clean Towel



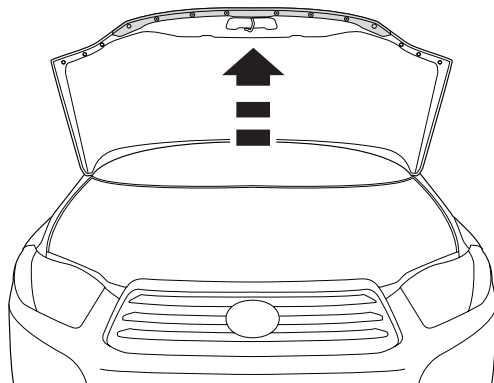
Appropriate hand tools

### Preparation Before Painting / Installation

- A trial fit is recommended to ensure proper positioning and fit.
- Check fit of parts before painting as we will not accept the return of modified or painted parts.
- Wash and dry your vehicle to remove any debris and/or dirt from the installation area.

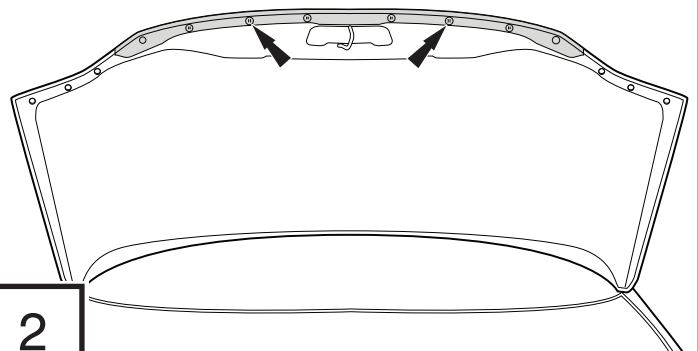
### Installation Steps **NOTE:** Actual application may vary slightly from illustrations.

Open Hood.



1

Remove (2) weatherstrip retainers.



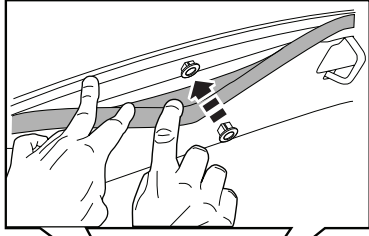
2

## Installation Steps

**NOTE:** Actual application may vary slightly from illustrations.

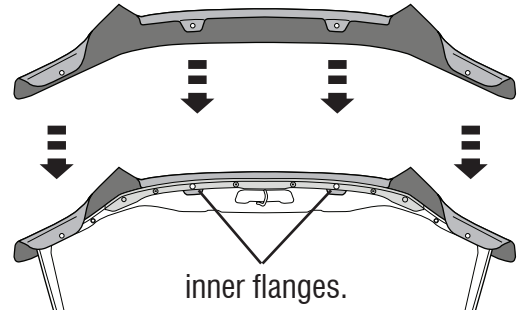


Install (2) hood inserts in hood, **UNDER-NEATH** the weatherstrip.



3

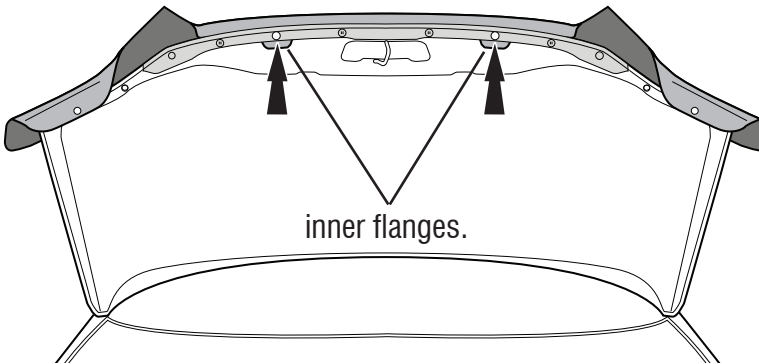
Center part on front edge of hood and align holes. **NOTE:** Inner flanges should be **UNDER** weatherstrip.



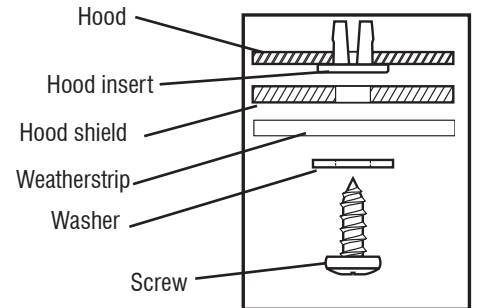
4



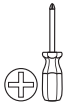
Install (2) screws with washers on the inner flanges.



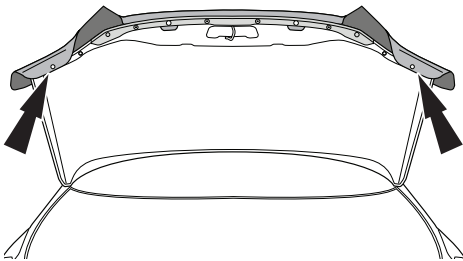
inner flanges.



5



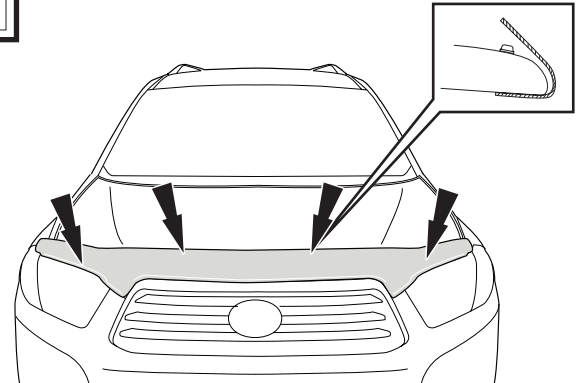
Install (2) fasteners on the outer flanges.



6



Close hood. Apply bump ons to surface of hood



7

## Care and Cleaning

- Wash only with mild soap & dry with a clean cloth.