

WeatherTech®

Easy-On™ Stone & Bug Deflectors

Important Safety Information



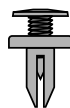
- CAUTION - Before driving, ensure that the hood shield is properly secured to vehicle.
- Do not use automatic “brush-style” car washes.
- Do not use cleaning solvents of any kind.
- Periodically check all components for tightness.

Contents

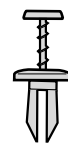
NOTE: Actual product may vary from illustration.



Hood shield



Fasteners
(98059)
x 4



Fasteners
(98042)
x 2

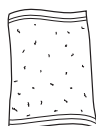


Bump ons
x 4

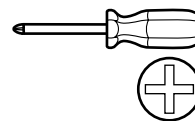
Tools Required



Car Wash Supplies



Clean Towel



Phillips
screwdriver

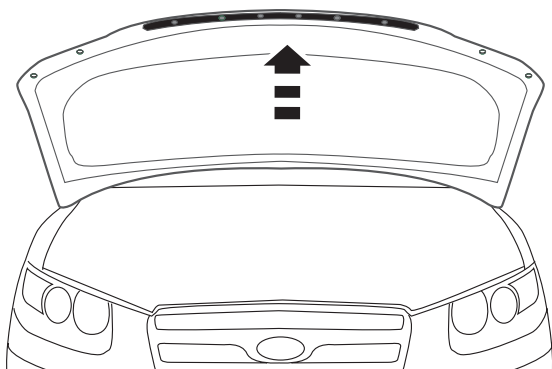
Preparation Before Painting / Installation

- A trial fit is recommended to ensure proper positioning and fit.
- Check fit of parts before painting as we will not accept the return of modified or painted parts.
- Wash and dry your vehicle to remove any debris and/or dirt from the installation area.

Installation Steps

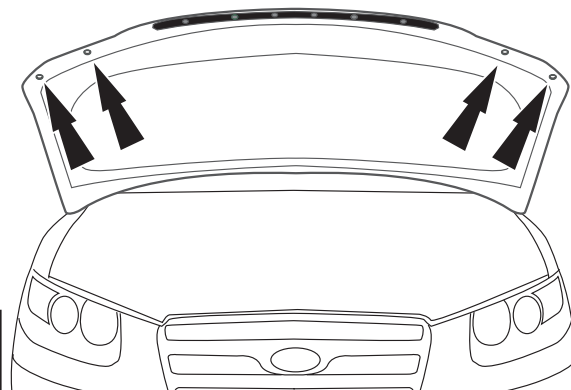
NOTE: Actual application may vary slightly from illustrations.

Raise hood.



1

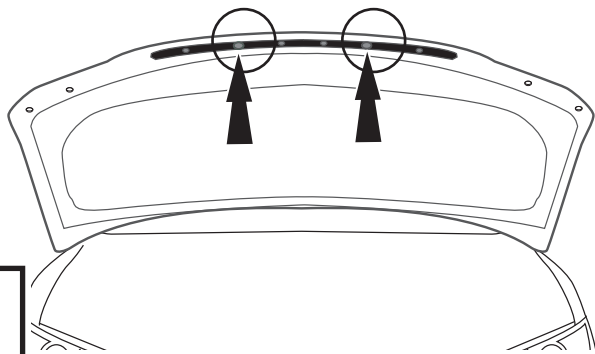
Locate (4) circular holes on the underside of hood. Clean the area around these with a soft cloth.



2

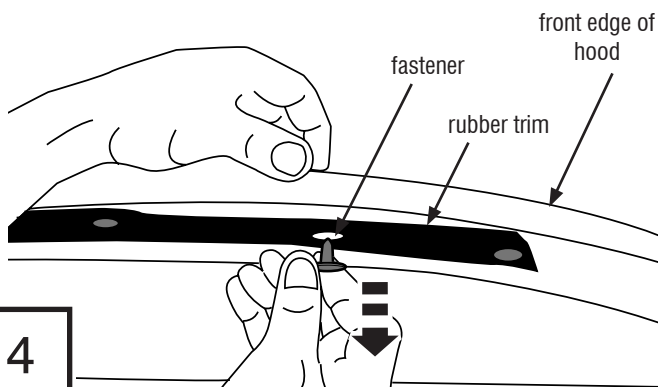
Installation Steps **NOTE:** Actual application may vary slightly from illustrations.

Locate (2) fasteners installed in the middle of the rubber trim on the front edge of the underside of the hood.



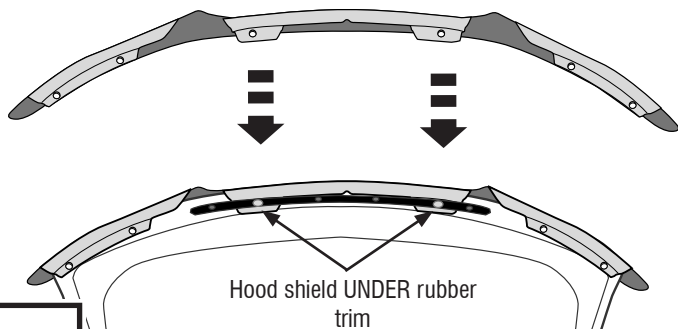
3

Remove (2) middle fasteners from the rubber trim piece on the front edge underside of hood.



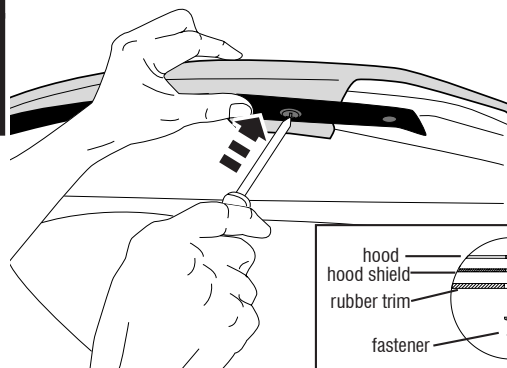
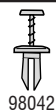
4

Align hood shield with holes in hood. Hood shield slides **UNDER** the rubber trim piece.

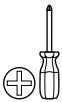


5

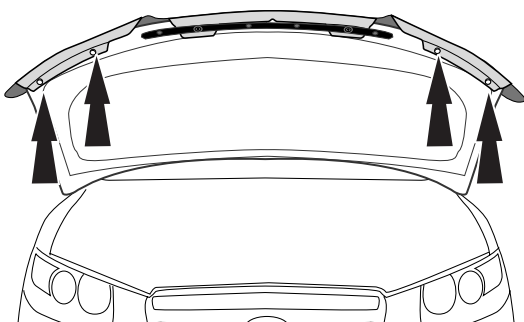
Insert (2) fasteners through holes in rubber trim, then through hood shield, and into hood. Tighten fasteners. **DO NOT OVERTIGHTEN.**



6



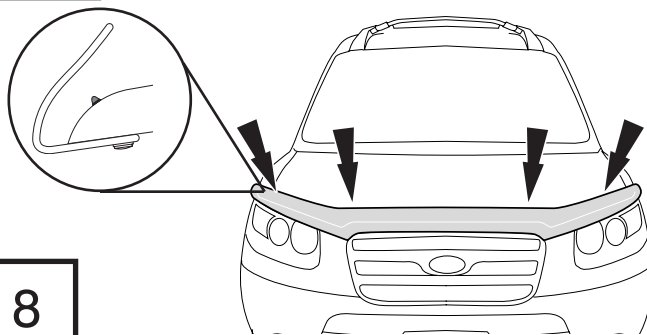
Install (4) remaining fasteners. **DO NOT OVERTIGHTEN.**



7



Close hood. Install (4) bump ons on pre-cleaned areas of hood surface.



8

Care and Cleaning

- Wash only with mild soap & dry with a clean cloth.

Looking for dependable stone & bug deflectors?
Rely on Weathertech for quality and long-lasting products.