

WeatherTech®

Easy-On™ Stone & Bug Deflectors

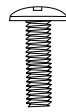
Important Safety Information

- ⚠️ **CAUTION** - Before driving, ensure that the hood shield is properly anchored to vehicle.
- Do not use automatic "brush-style" car washes.
- Do not use cleaning solvents of any kind.
- Periodically check all components for tightness.

Contents **NOTE:** Actual product may vary from illustration.



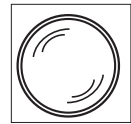
Hood shield



Screw x4



Well Nut x4

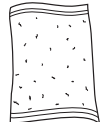


Bump On x4

Tools Required



Car Wash Supplies



Clean Towel



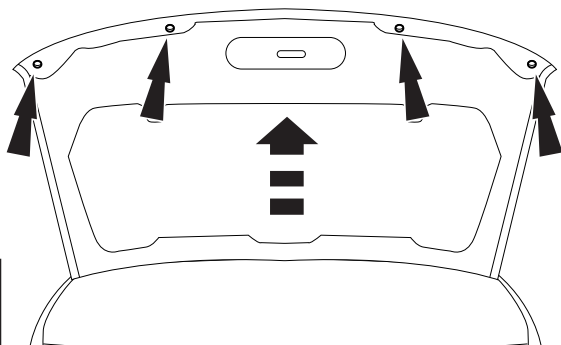
Phillips head screwdriver

Preparation Before Painting / Installation

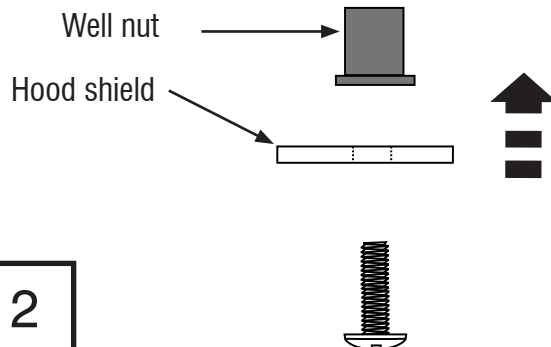
- A trial fit is recommended to ensure proper positioning and fit.
- Check fit of parts before painting as we will not accept the return of modified or painted parts.
- Wash your vehicle's hood to remove any debris and/or dirt.
- Dry the hood with a clean towel.

Installation Steps **NOTE:** Actual application may vary slightly from illustrations.

Open Hood. Locate (4) circular holes on the underside of hood. Clean the area around these with a soft cloth.

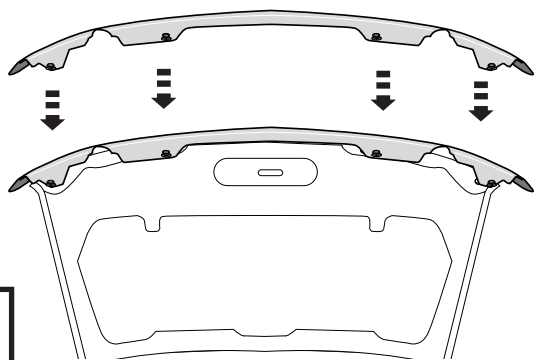


Attach fasteners to hoodshield by inserting screw through hood shield, and into well nut. **Partially** thread screw into well nut.



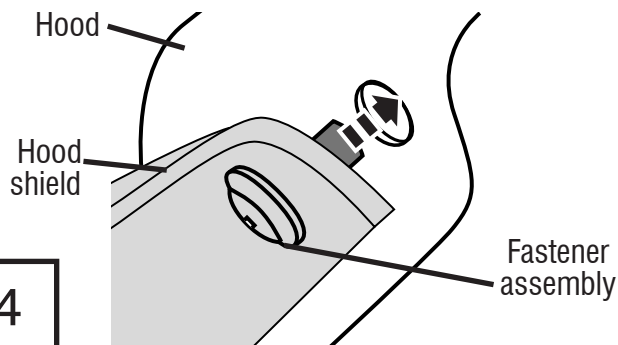
Installation Steps **NOTE:** Actual application may vary slightly from illustrations.

Center part on front edge of hood and align holes.

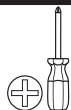


3

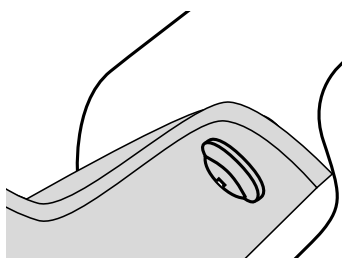
NOTE: Observe the alignment from the side view in order to guide the hood shield with its attached fastener into the proper hole in the hood.



4



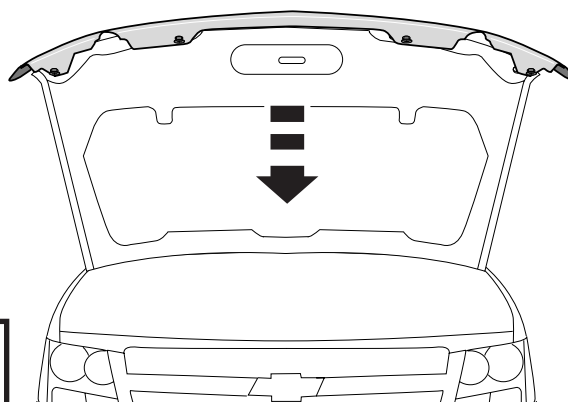
With the fastener assembly inserted into hole in hood, secure hood shield to hood by tightening screw to expand well nut. Repeat for remaining fasteners.



5

NOTE: DO NOT OVER TIGHTEN

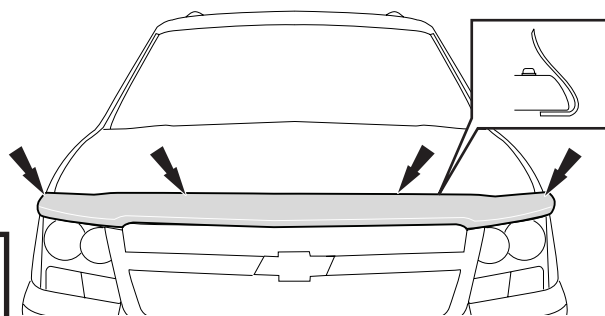
Close Hood.



6



Apply bump ons to surface of hood.



7

Care and Cleaning

- Wash only with mild soap & dry with a clean cloth.

Looking for dependable stone & bug deflectors?
Rely on Weathertech for quality and long-lasting products.