

WeatherTech®

Easy-On™ Stone & Bug Deflectors

Important Safety Information



- CAUTION - Before driving, ensure that the hood shield is properly anchored to vehicle.
- Do not use automatic "brush-style" car washes.
- Do not use cleaning solvents of any kind.
- Periodically check all components for tightness.

Contents **NOTE:** Actual product may vary from illustration.



Hood shield



Screw x3



Well Nut x3



Bump On x4

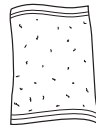


Alcohol Pad x1

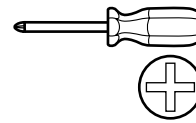
Tools Required



Car Wash Supplies



Clean Towel



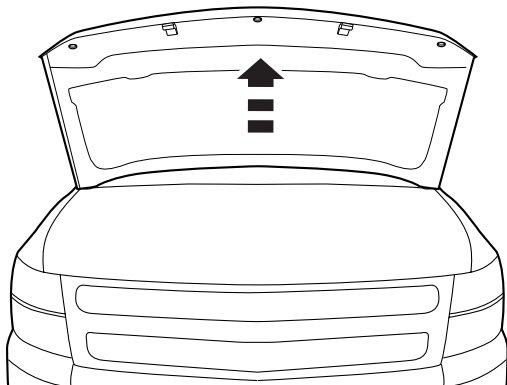
Phillips screw-
driver

Preparation Before Painting / Installation

- A trial fit is recommended to ensure proper positioning and fit.
- Check fit of parts before painting as we will not accept the return of modified or painted parts.
- Wash and dry your vehicle to remove any debris and/or dirt from the installation area.

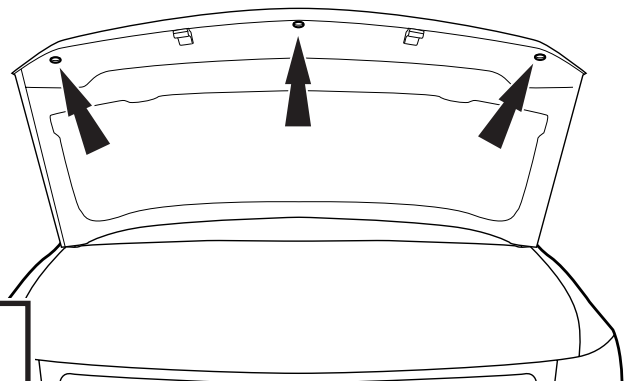
Installation Steps **NOTE:** Actual application may vary slightly from illustrations.

Raise hood.



1

Locate (3) circular holes on the underside of hood. Clean the area around these with a soft cloth.



2

Installation Steps

NOTE: Actual application may vary slightly from illustrations.

3

Alcohol Pad

Locate (2) rubber bumpers on the underside of hood. Clean the area around these with an alcohol pad.

rubber bumper

4

Well nut

Hood shield

Attach fasteners to hoodshield by inserting screw through hood shield, and into well nut. **Partially** thread screw into well nut.

5

Peel back 2" (5 cm) of tape liner off both tape strips to expose adhesive. Fold free ends over so they will be accessible.

Free Ends

6

Center part on front edge of hood and align holes.

7

NOTE: Observe the alignment from the side view in order to guide the hood shield with its attached fastener into the proper hole in the hood.

Hood

Hood shield

Fastener assembly

8

With the fastener assembly inserted into hole in hood, secure hood shield to hood by tightening screw to expand well nut. Repeat for remaining fasteners.

NOTE: DO NOT OVER TIGHTEN

9

Remove remaining tape liner by pulling on free ends, and apply pressure to adhere tape.

10

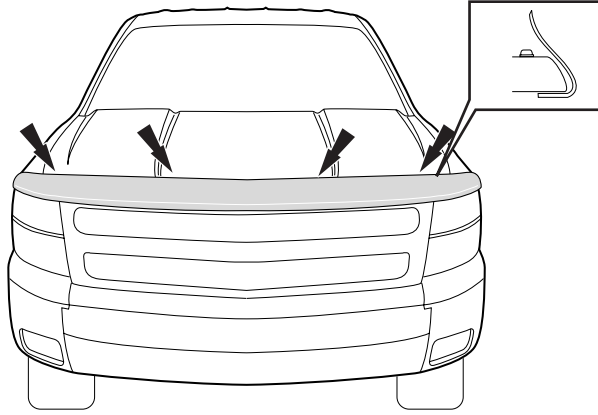
Close Hood.

Installation Steps

NOTE: Actual application may vary slightly from illustrations.



Apply bump ons to surface of hood.



11

Care and Cleaning

- Wash only with mild soap & dry with a clean cloth.