

# WeatherTech®

## Easy-On™ Stone & Bug Deflectors

### Important Safety Information



- CAUTION - Before driving, ensure that the hood shield is properly secured to vehicle.
- Do not use automatic "brush-style" car washes.
- Do not use cleaning solvents of any kind.
- Periodically check all components for tightness.

### Contents

**NOTE:** Actual product may vary from illustration.



Hood shield



Bump On  
x4



Screw  
x3



Washer  
x3



Well Nut  
x3



Washer  
x2

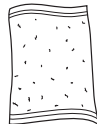


Self tapping  
screw x2

### Tools Required



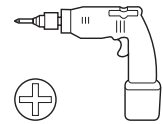
Car Wash Supplies



Clean Towel



Phillips screwdriver



Drill

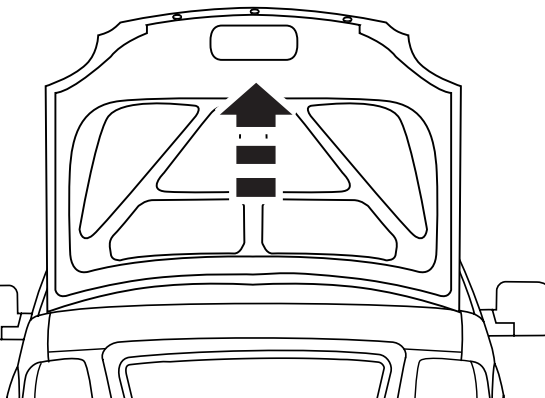
### Preparation Before Painting / Installation

- A trial fit is recommended to ensure proper positioning and fit.
- Check fit of parts before painting as we will not accept the return of modified or painted parts.
- Wash and dry your vehicle to remove any debris and/or dirt from the installation area.

### Installation Steps

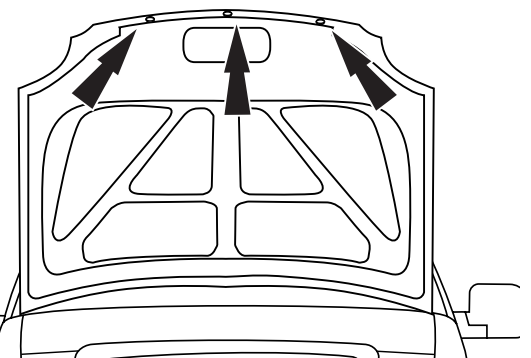
**NOTE:** Actual application may vary slightly from illustrations.

Open hood.



1

Locate (3) circular holes on the underside of hood. Clean the area around these with a soft cloth.

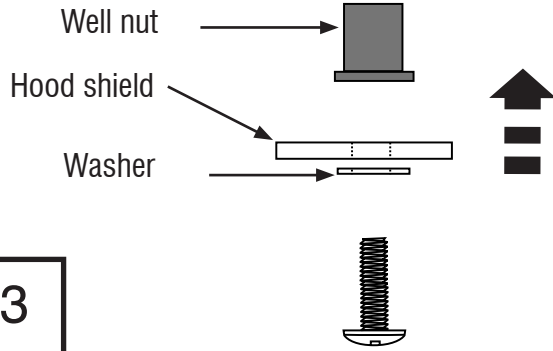


2

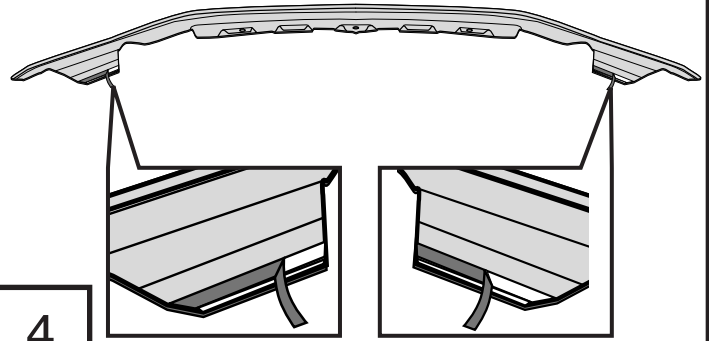
# Installation Steps

**NOTE:** Actual application may vary slightly from illustrations.

Attach fasteners to hoodshield by inserting screw through washer, then through hood shield, and into well nut. **Partially** thread screw into well nut.



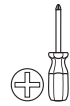
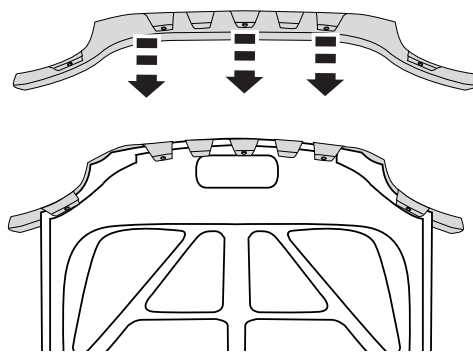
Peel back 2" (5 cm) of tape liner on outboard flanges to expose adhesive. Fold free ends over so they will be accessible.



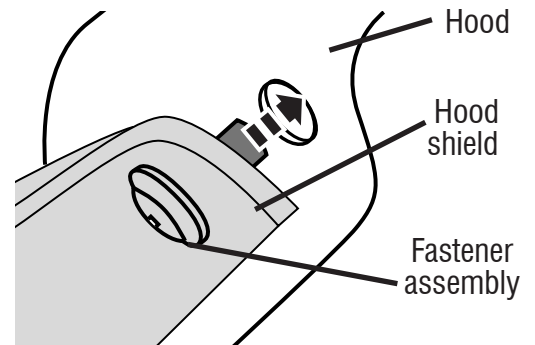
3

4

Align hood shield with holes in hood.

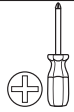


**NOTE:** Observe the alignment from the side view in order to guide the hood shield with its attached fastener into the proper hole in the hood.

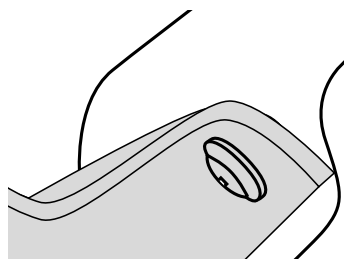


5

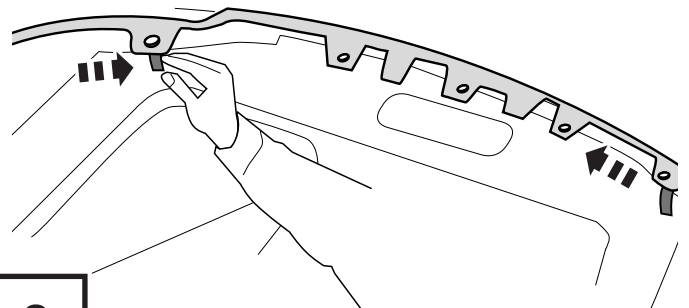
6



With the fastener assembly inserted into hole in hood, secure hood shield to hood by tightening screw to expand well nut. Repeat for remaining fasteners.



Remove remaining tape liner by pulling on free ends, and apply pressure to adhere tape.

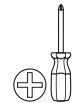
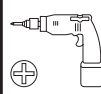


7

8

**NOTE:** DO NOT OVER TIGHTEN

## Optional Screw Attachment

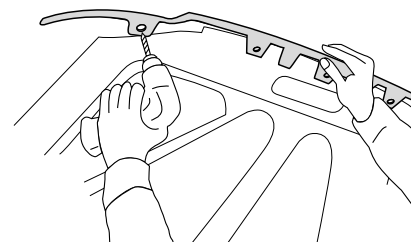


Use holes in hood shield as a guide and install (2) self tapping screws with washers in outboard flanges.

Do No Overtighten

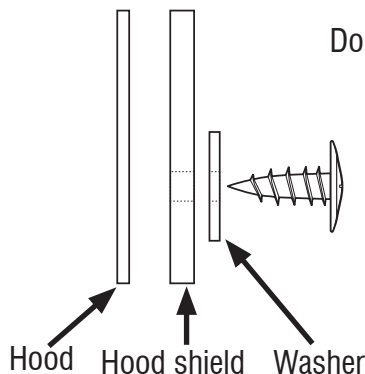


A power screwdriver is recommended but once the screw penetrates the inside metal panel use a regular phillips screwdriver the remainder of the way.



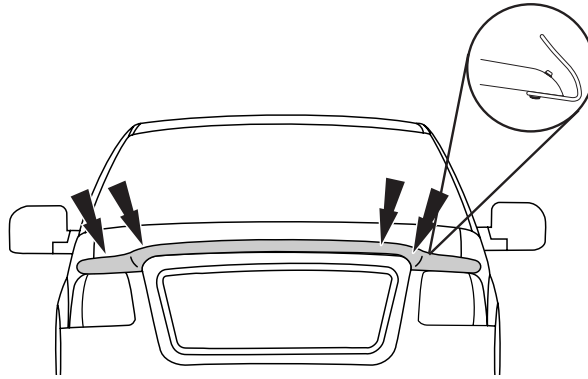
9

10





Lower hood and apply (4) bump on's to hood surface.



11

## Care and Cleaning

- Wash only with mild soap & dry with a clean cloth.