

# WeatherTech®

## Easy-On™ Stone & Bug Deflectors

### Important Safety Information

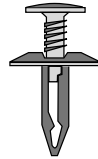


- CAUTION - Before driving, ensure that the hood shield is properly secured to vehicle.
- Do not use automatic “brush-style” car washes.
- Do not use cleaning solvents of any kind.
- Periodically check all components for tightness.

### Contents **NOTE:** Actual product may vary from illustration.



Hood Shield



Long Fasteners x2



Short Fasteners x2

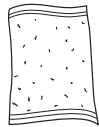


Bump On x4

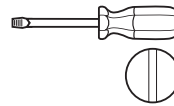
### Tools Required



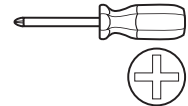
Car Wash Supplies



Clean Towel



Flathead Screwdriver



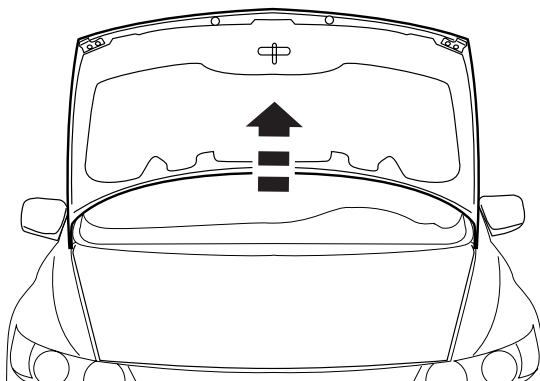
Phillips Screwdriver

### Preparation Before Painting / Installation

- A trial fit is recommended to ensure proper positioning and fit.
- Check fit of parts before painting as we will not accept the return of modified or painted parts.
- Wash and dry your vehicle to remove any debris and/or dirt from the installation area.

### Installation Steps **NOTE:** Actual application may vary slightly from illustrations.

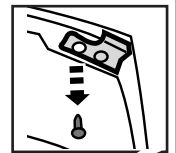
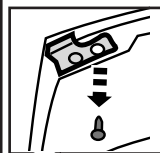
Open hood.



1



Locate (2) corner trim pads on underside of hood. Remove and discard the **INBOARD** fasteners from each trim pad.

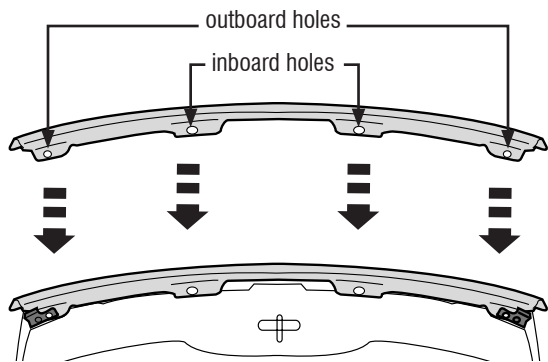


2

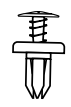
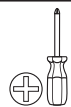
## Installation Steps

**NOTE:** Actual application may vary slightly from drawings.

Align holes in hood shield with holes in hood. The hood shield goes **UNDER** the corner trim pads.

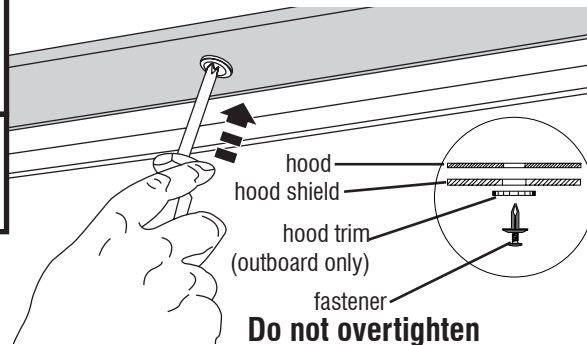


3

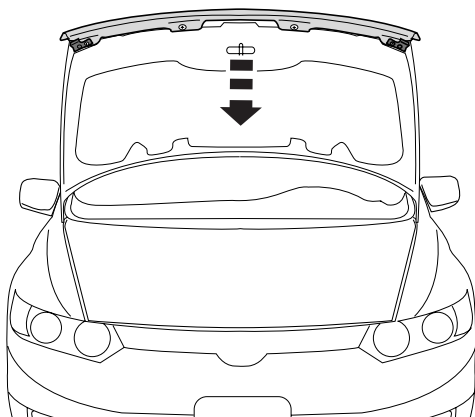


4

Using a Phillips screwdriver, install (2) long fasteners in the **OUTBOARD** holes. Install (2) short fasteners in **INBOARD** holes.

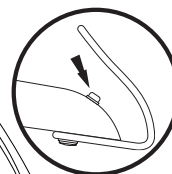


Close hood.



5

Install (4) bump ons.



6

## Care and Cleaning

- Wash only with mild soap & dry with a clean cloth.