

WeatherTech®

Easy-On™ Stone & Bug Deflectors

Important Safety Information



- CAUTION - Before driving, ensure that the hood shield is properly secured to vehicle.
- Do not use automatic "brush-style" car washes.
- Do not use cleaning solvents of any kind.
- Periodically check all components for tightness.

Contents

NOTE: Actual product may vary from illustration.



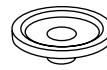
Hood shield



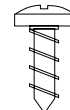
Bump On
x4



Hood Insert
x2



Grommet
x2



Screws
x2

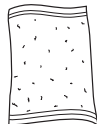


Fastener
x2

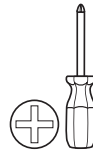
Tools Required



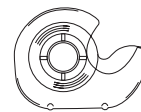
Car Wash Supplies



Clean Towel



Phillips
screwdriver



Tape

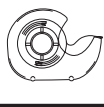
Preparation Before Painting / Installation

- A trial fit is recommended to ensure proper positioning and fit.
- Check fit of parts before painting as we will not accept the return of modified or painted parts.
- Wash and dry your vehicle to remove any debris and/or dirt from the installation area.

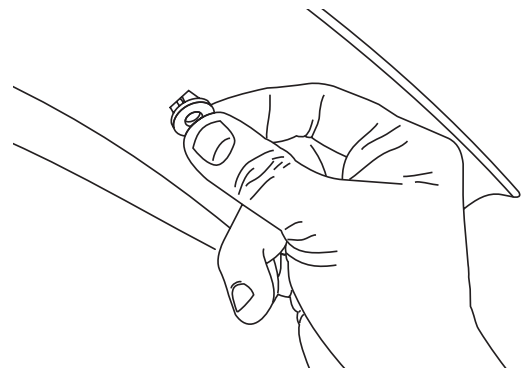
Installation Steps

NOTE: Actual application may vary slightly from illustrations.

Open hood. Locate (2) square holes on the underside of hood and clean this area. Remove and discard (2) plastic fasteners located on the hood seals.



Press (2) hood inserts into the (2) square holes. If necessary use tape to hold them firmly in place.



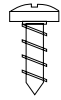
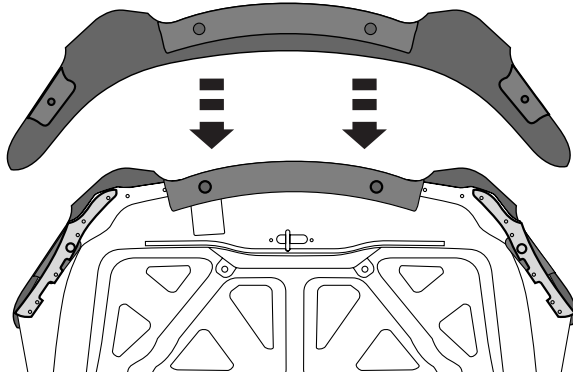
1

2

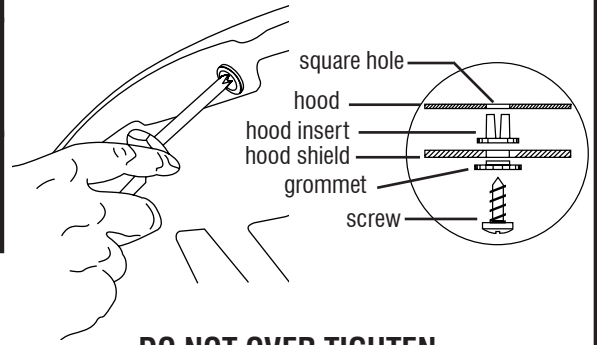
Installation Steps

NOTE: Actual application may vary slightly from illustrations.

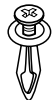
Set the hood shield in place, sliding outer tabs **UNDER** the hood seals.



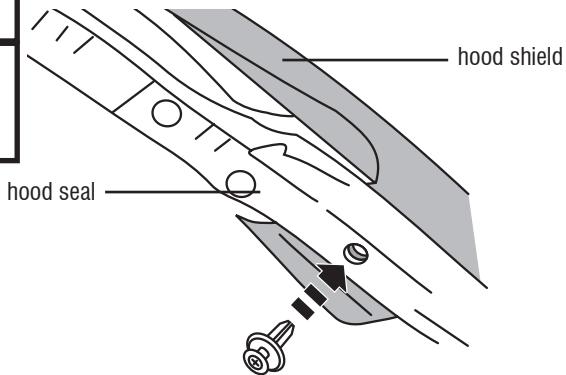
Using a phillips screwdriver install (2) screws with (2) washers through the hood inserts.



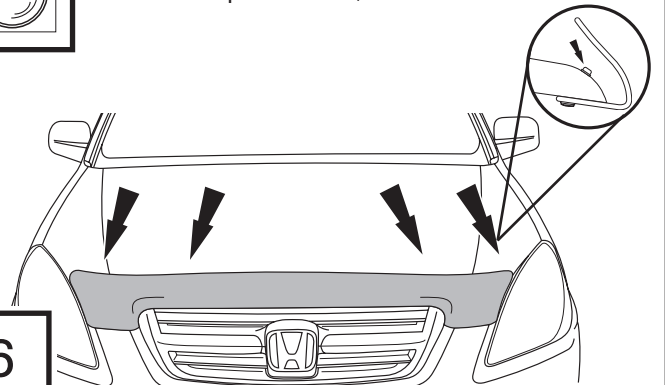
DO NOT OVER TIGHTEN



Insert (2) fasteners through the holes in the seal and hood shield and into the holes in hood.



Install bump ons at pre-cleaned locations on the painted hood/fender surface.



Care and Cleaning

- Wash only with mild soap & dry with a clean cloth.