

WeatherTech®

Easy-On™ Stone & Bug Deflectors

Important Safety Information



- CAUTION - Before driving, ensure that the hood shield is properly secured to vehicle.
- Do not use automatic “brush-style” car washes.
- Do not use cleaning solvents of any kind.
- Periodically check all components for tightness.

Contents

NOTE: Actual product may vary from illustration.



Hood shield



Bump On x4



Screw x2



Washer x2



Alcohol Pad x2

Tools Required



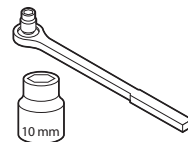
Car Wash Supplies



Clean Towel



Phillips Screwdriver



Socket Wrench

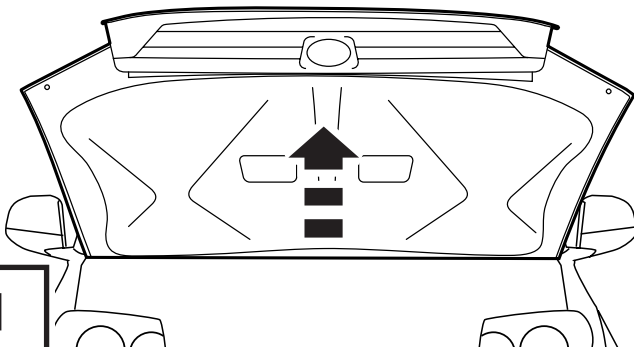
Preparation Before Painting / Installation

- A trial fit is recommended to ensure proper positioning and fit.
- Check fit of parts before painting as we will not accept the return of modified or painted parts.
- Wash and dry your vehicle to remove any debris and/or dirt from the installation area.

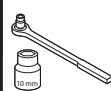
Installation Steps

NOTE: Actual application may vary slightly from illustrations.

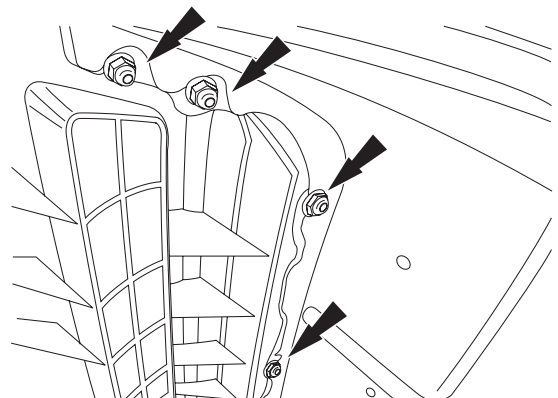
Open hood.



1



Locate and remove (8) nuts that secure front grill to the hood. Set grill aside.



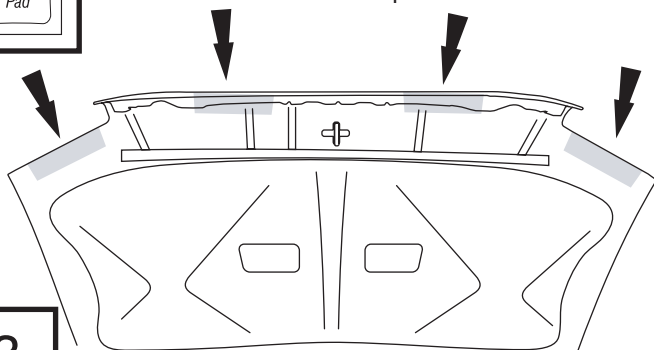
2

Installation Steps

NOTE: Actual application may vary slightly from illustrations.

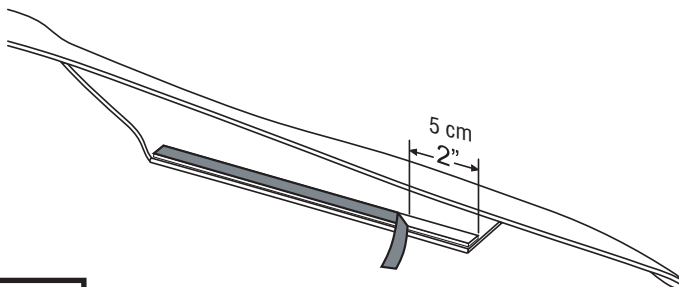
Alcohol Pad

Clean the hood shield mounting locations with an alcohol pad.



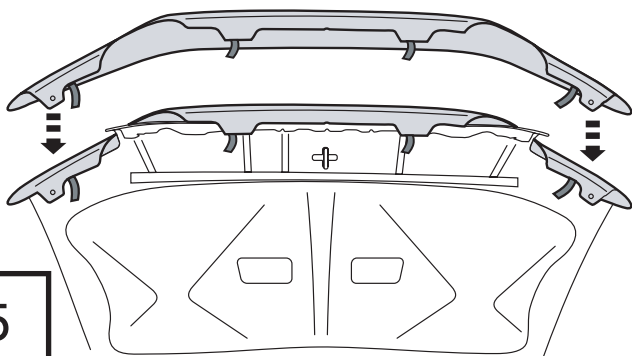
3

Peel back approx. 2" (5 cm) of tape liner from each end of hood shield.



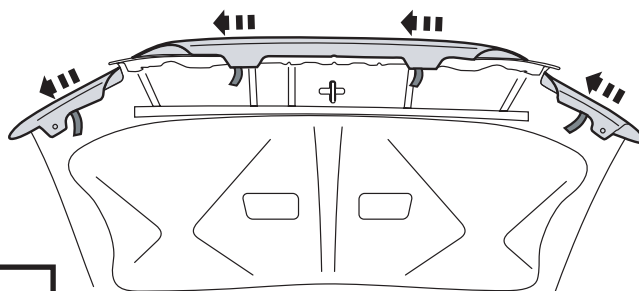
4

Position hood shield onto hood and align.



5

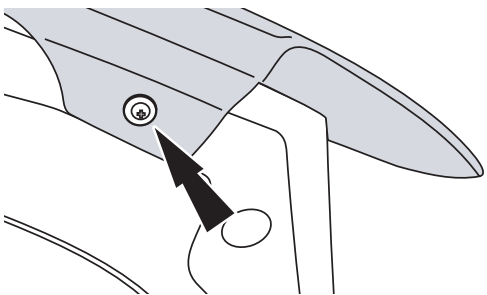
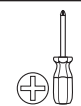
With the hood shield in its final position, remove remaining tape liner. Press firmly on all flanges to ensure adhesion.



6

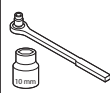


Install (1) self tapping screw and (1) washer to secure. Tighten until snug. Repeat for opposite side.

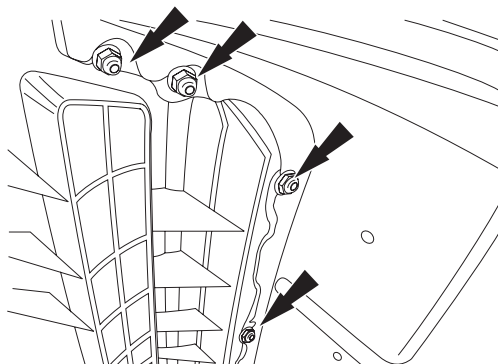


7

DO NOT OVER TIGHTEN



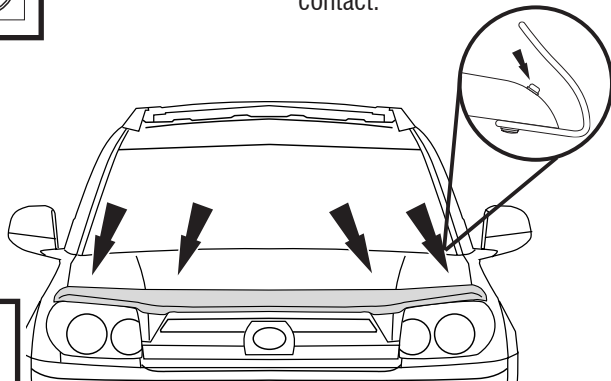
Reattach the front grill by reinstalling the previously removed (8) nuts. Hood shield flange should be between the hood and grill.



8



Close hood and install bump ons at pre-cleaned locations on the hood surface where the hood shield may contact.



9

Care and Cleaning

- Wash only with mild soap & dry with a clean cloth.