

WeatherTech®

Easy-On™ Stone & Bug Deflectors

Important Safety Information



- CAUTION - Before driving, ensure that the hood shield is properly anchored to vehicle.
- Do not use automatic “brush-style” car washes.
- Do not use cleaning solvents of any kind.
- Periodically check all components for tightness.

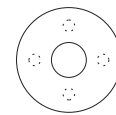
Contents **NOTE:** Actual product may vary from illustration.



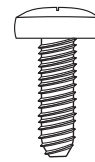
Hood Shield



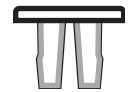
Bump On x4



Plastic Washer x4



Screw x4



Hood Insert x2

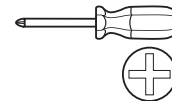
Tools Required



Car Wash Supplies



Clean Towel



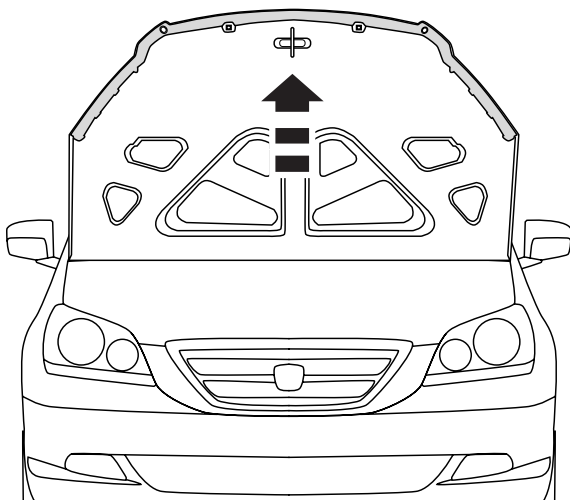
Appropriate hand tools

Preparation Before Painting / Installation

- A trial fit is recommended to ensure proper positioning and fit.
- Check fit of parts before painting as we will not accept the return of modified or painted parts.
- Wash your vehicle’s hood to remove any debris and/or dirt.
- Dry the hood with a clean towel.

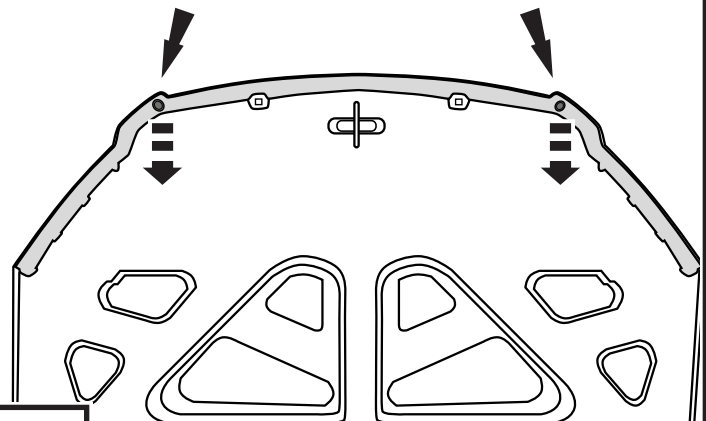
Installation Steps **NOTE:** Actual application may vary slightly from illustrations.

Open Hood.



1

Remove (2) rubber seal retaining fasteners.



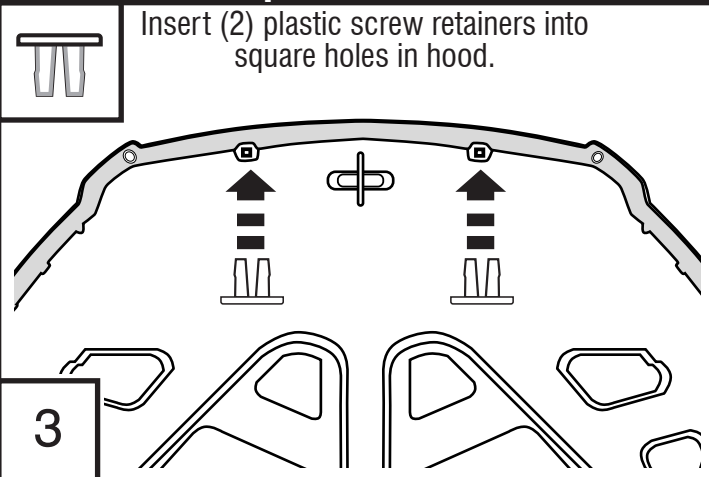
2

Installation Steps

NOTE: Actual application may vary slightly from illustrations.

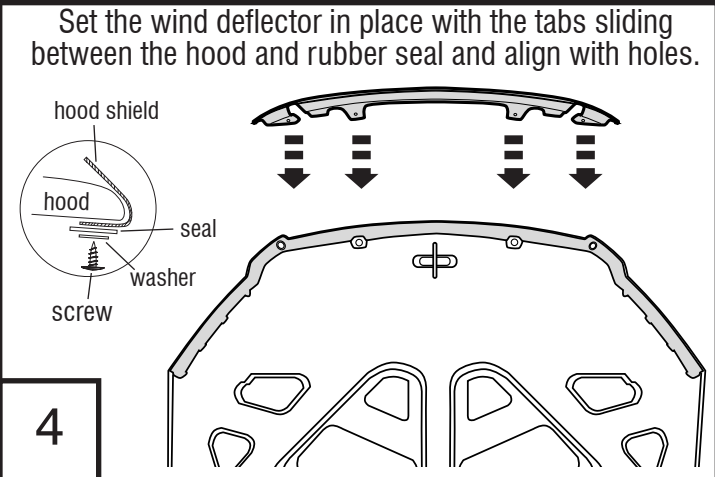
3

Insert (2) plastic screw retainers into square holes in hood.



4

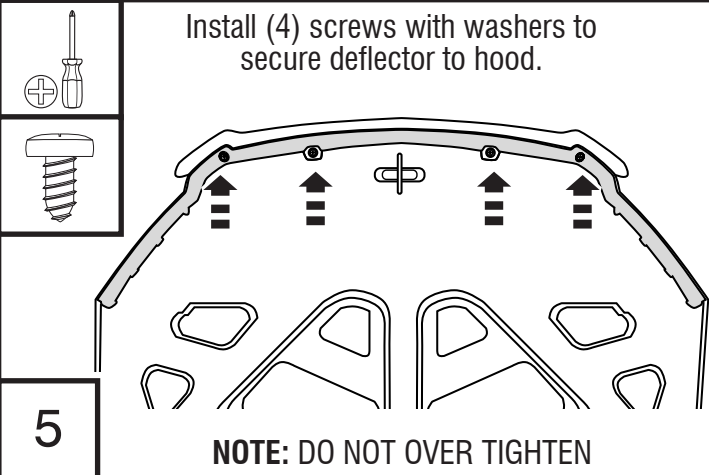
Set the wind deflector in place with the tabs sliding between the hood and rubber seal and align with holes.



5

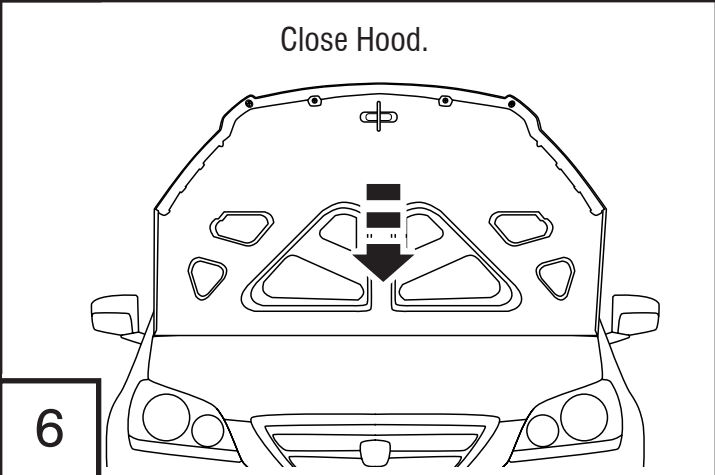
Install (4) screws with washers to secure deflector to hood.

NOTE: DO NOT OVER TIGHTEN



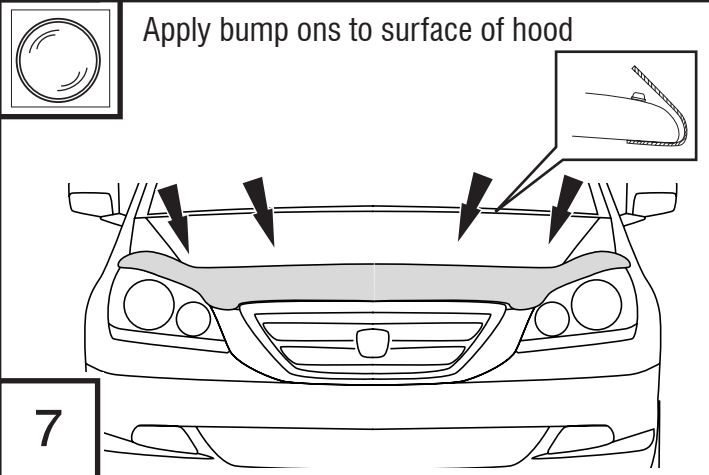
6

Close Hood.



7

Apply bump ons to surface of hood



Care and Cleaning

- Wash only with mild soap & dry with a clean cloth.