

# WeatherTech®

## Easy-On™ Stone & Bug Deflectors

### Important Safety Information



- CAUTION - Before driving, ensure that the hood shield is properly secured to vehicle.
- Do not use automatic "brush-style" car washes.
- Do not use cleaning solvents of any kind.
- Periodically check all components for tightness.

### Contents - 1 Piece Set

**NOTE:** Actual product may vary from illustration.



Hood shield



Bump On x4



Alcohol Pad x2

### Contents - 3 Piece Set



Hood shield



Fender Protector x2



Bump On x4



Alcohol Pad x2

### Tools Required



Car Wash Supplies



Clean Towel

### Preparation Before Painting / Installation

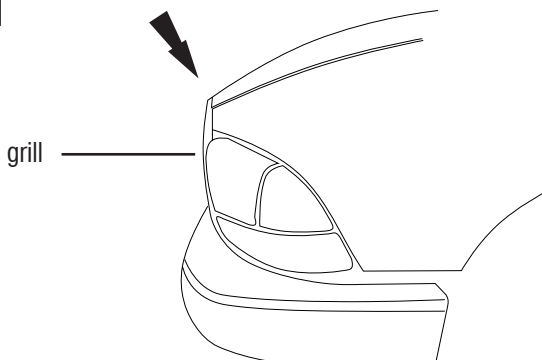
- A trial fit is recommended to ensure proper positioning and fit.
- Check fit of parts before painting as we will not accept the return of modified or painted parts.
- Wash and dry your vehicle to remove any debris and/or dirt from the installation area.

### Installation Steps

**NOTE:** Actual application may vary slightly from illustrations.



Clean painted surface of hood with alcohol pad.



1

Peel back 2" of tape liner from each end of bottom flange.

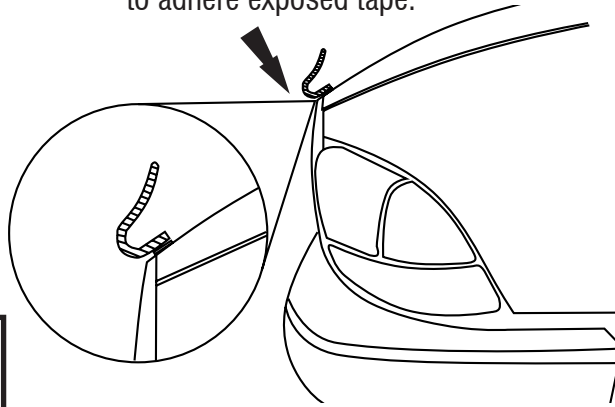


2

## Installation Steps

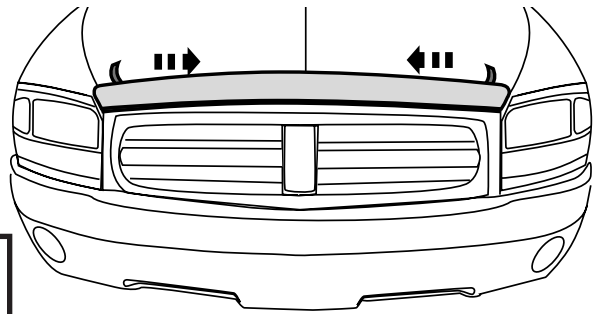
**NOTE:** Actual application may vary slightly from illustrations.

Align hood deflector with center of hood. Press firmly to adhere exposed tape.



3

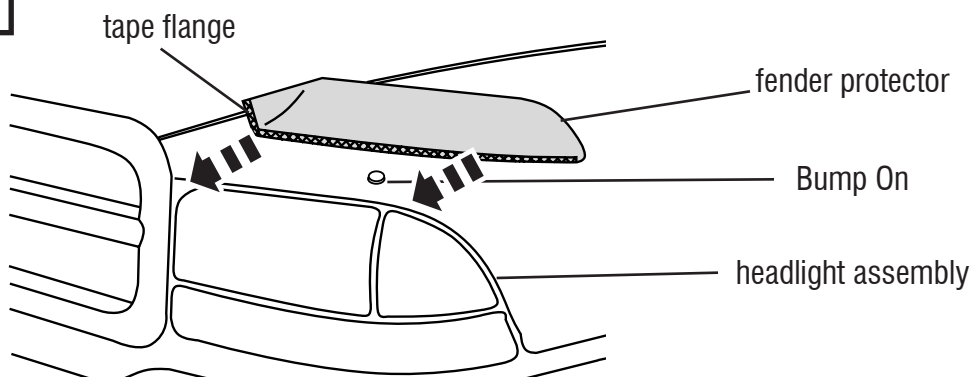
Remove remainder of tape by pulling on free ends.



4



Apply 4 bump on's to hood surface. If applicable repeat **Steps 1-4** to install Fender protectors



5

## Care and Cleaning

- Wash only with mild soap & dry with a clean cloth.

Looking for dependable stone & bug deflectors?  
Rely on Weathertech for quality and long-lasting products.