

# WeatherTech®

## Easy-On™ Stone & Bug Deflectors

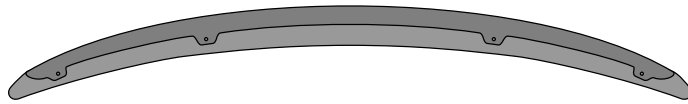
### Important Safety Information



- CAUTION - Before driving, ensure that the hood shield is properly secured to vehicle.
- Do not use automatic "brush-style" car washes.
- Do not use cleaning solvents of any kind.
- Periodically check all components for tightness.

### Contents

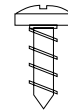
**NOTE:** Actual product may vary from illustration.



Hood shield



Bump On x4

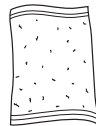


Screw x4

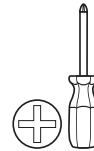
### Tools Required



Car Wash Supplies



Clean Towel



Phillips Screwdriver



Pin

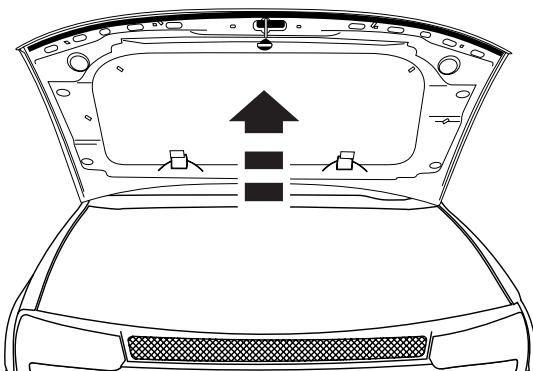
### Preparation Before Painting / Installation

- A trial fit is recommended to ensure proper positioning and fit.
- Check fit of parts before painting as we will not accept the return of modified or painted parts.
- Wash and dry your vehicle to remove any debris and/or dirt from the installation area.

### Installation Steps

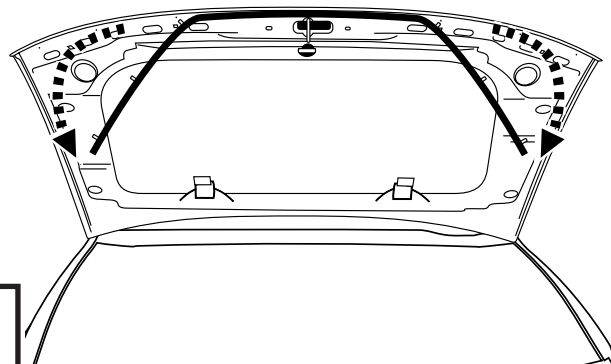
**NOTE:** Actual application may vary slightly from illustrations.

Open hood.



1

Carefully pull the front seal out on both sides.

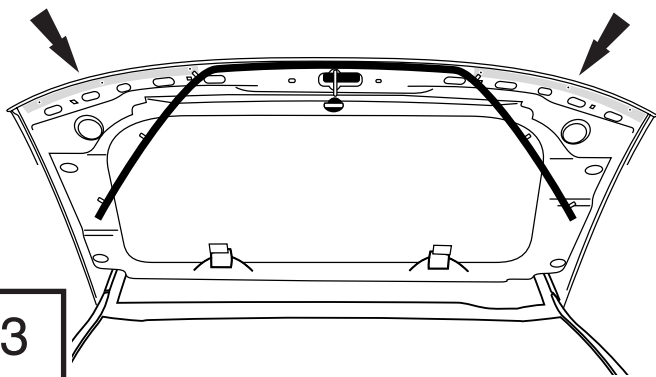


2

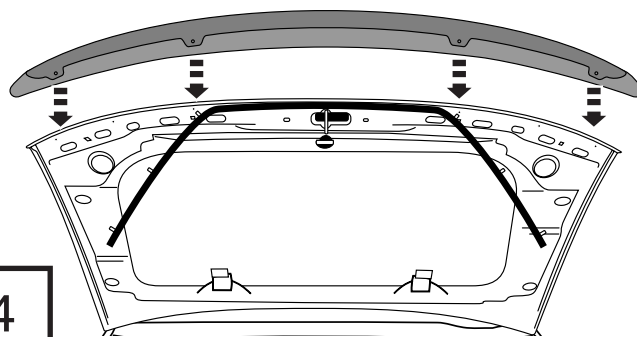
## Installation Steps

**NOTE:** Actual application may vary slightly from illustrations.

Clean this area with a cloth.



Center hood shield on hood and locate holes on the underside of hood that line up with the hood shield tabs. Remove and discard fasteners that match up with these holes.

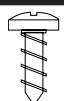
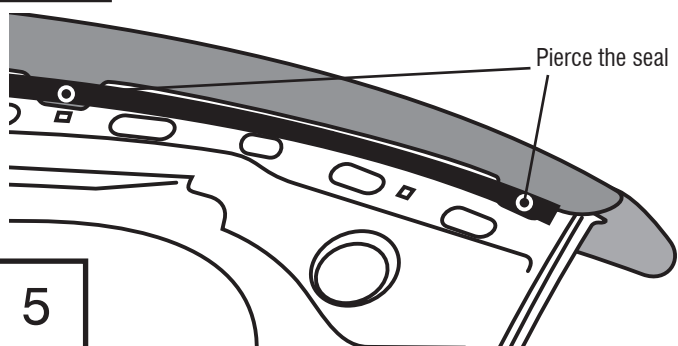


3

4

5

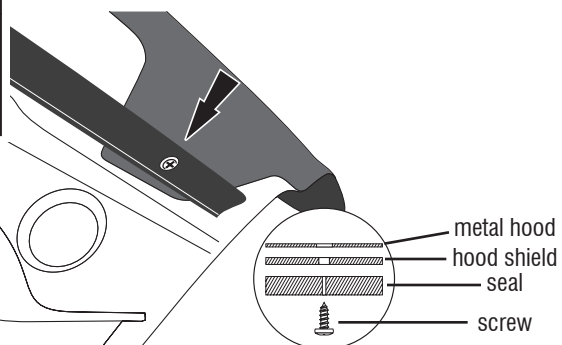
From the underside of the seal, **carefully** pierce the seal where the fasteners were removed with a pin or other sharp object.



Align holes in hood shield with holes in hood. Place the seal over the hood shield hole and install (1) screw half way. Repeat for remaining holes.



6



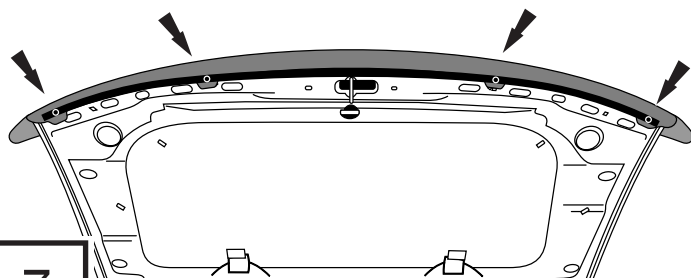
5



Continue to screw in the (4) screws once the hood shield is centered. Reinsert any unseated fasteners into their original holes in hood.

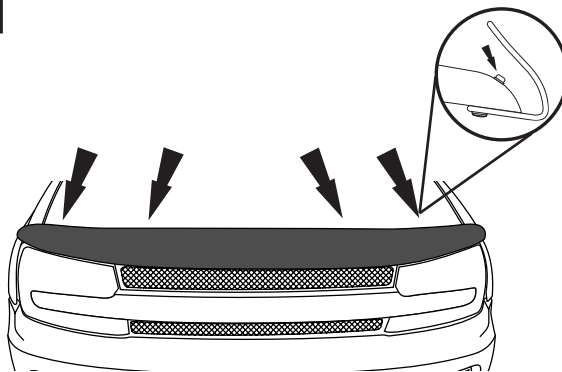


Install bump ons at pre-cleaned locations on the hood surface where the hood shield may contact.



**DO NOT OVER TIGHTEN**

8



## Care and Cleaning

- Wash only with mild soap & dry with a clean cloth.