

# WeatherTech®

## Easy-On™ Stone & Bug Deflectors

### Important Safety Information



- CAUTION - Before driving, ensure that the hood shield is properly secured to vehicle.
- Do not use automatic "brush-style" car washes.
- Do not use cleaning solvents of any kind.
- Periodically check all components for tightness.

### Contents

**NOTE:** Actual product may vary from illustration.



Hood shield



Bump On x4



Screw x2



Washer x2



Well Nut x2

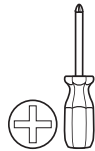
### Tools Required



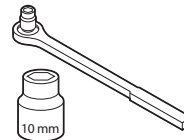
Car Wash Supplies



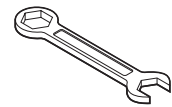
Clean Towel



Phillips Screwdriver



Socket Wrench



Wrench

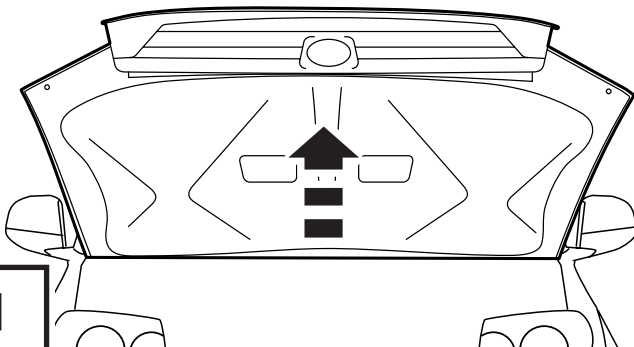
### Preparation Before Painting / Installation

- A trial fit is recommended to ensure proper positioning and fit.
- Check fit of parts before painting as we will not accept the return of modified or painted parts.
- Wash and dry your vehicle to remove any debris and/or dirt from the installation area.

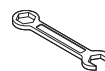
### Installation Steps

**NOTE:** Actual application may vary slightly from illustrations.

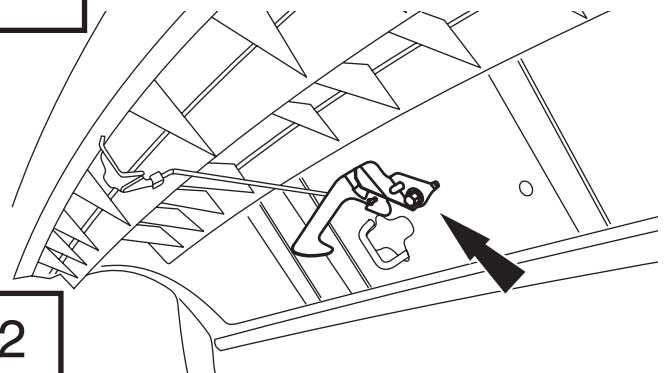
Open hood and locate the hood latch assembly, behind the front grill.



1



Disconnect the latch assembly from the hood by removing (2) screws with wrench.



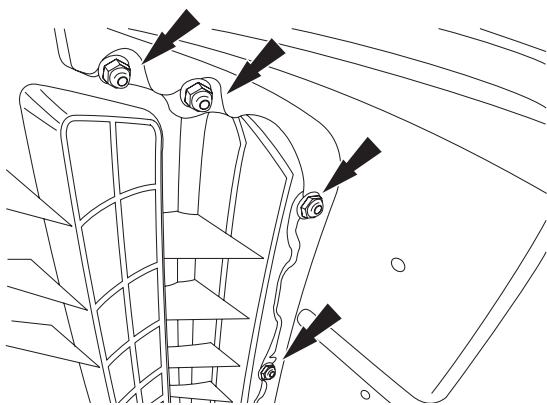
2

# Installation Steps

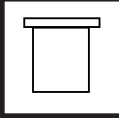
**NOTE:** Actual application may vary slightly from illustrations.



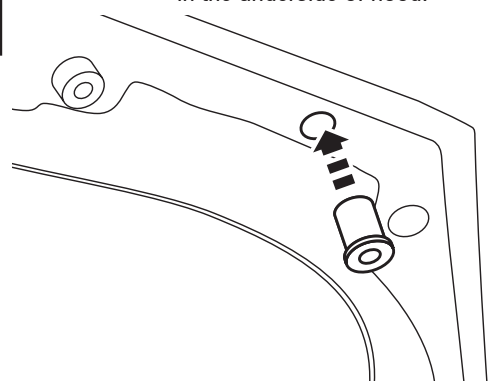
Locate and remove (8) nuts that secure front grill to the hood. Set grill aside.



3

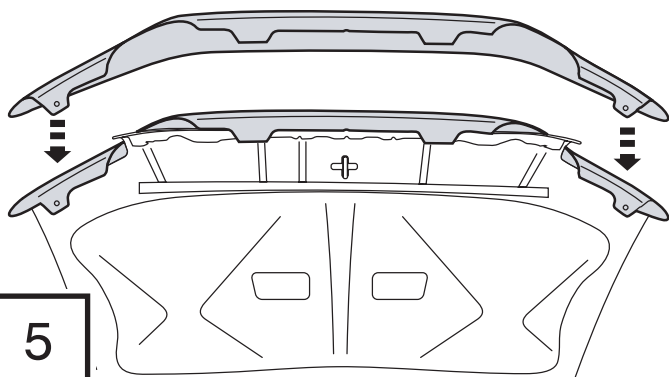


Insert (2) well nuts into the existing holes on each side in the underside of hood.

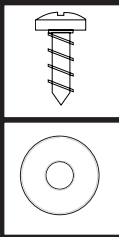


4

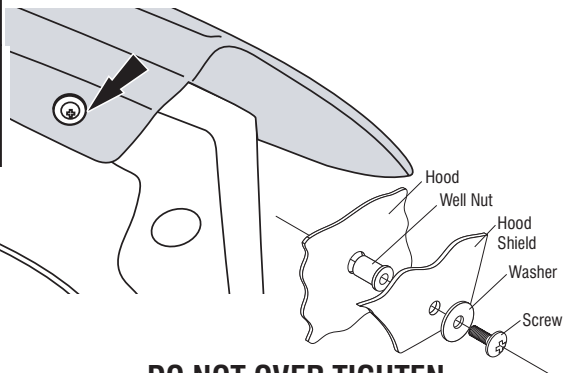
Position hood shield onto hood and align hood shield holes with the well nut.



5



Install (1) washer and (1) screw to secure. Tighten until snug. Repeat for opposite side.

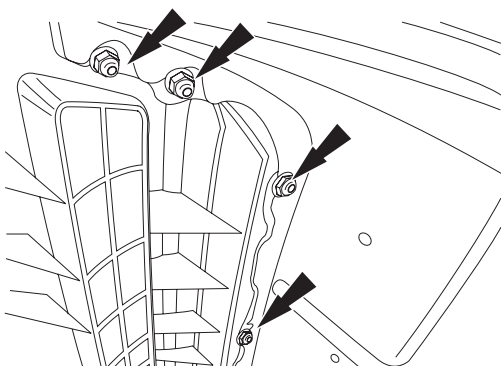


**DO NOT OVER TIGHTEN**

6



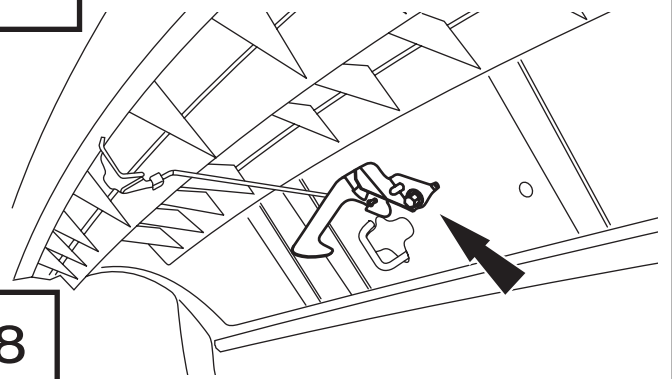
Reattach the front grill by reinstalling the previously removed (8) nuts. Hood shield flange should be between the hood and grill.



7



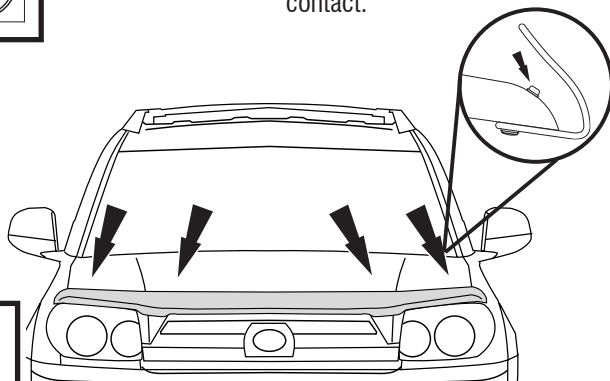
Reattach the hood latch to the underside of the hood by reinstalling the previously removed (2) screws.



8



Install bump ons at pre-cleaned locations on the hood surface where the hood shield may contact.



9

## Care and Cleaning

- Wash only with mild soap & dry with a clean cloth.