

# WeatherTech®

## Easy-On™ Stone & Bug Deflectors

### Important Safety Information



- CAUTION - Before driving, ensure that the hood shield is properly secured to vehicle.
- Do not use automatic "brush-style" car washes.
- Do not use cleaning solvents of any kind.
- Periodically check all components for tightness.

### Contents

**NOTE:** Actual product may vary from illustration.



Hood shield



Bump On  
x4



Hood Insert  
x2



Grommet  
x2



Screws  
x2

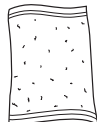


Fastener  
x2

### Tools Required



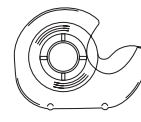
Car Wash Supplies



Clean Towel



Phillips  
screwdriver



Tape

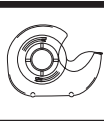
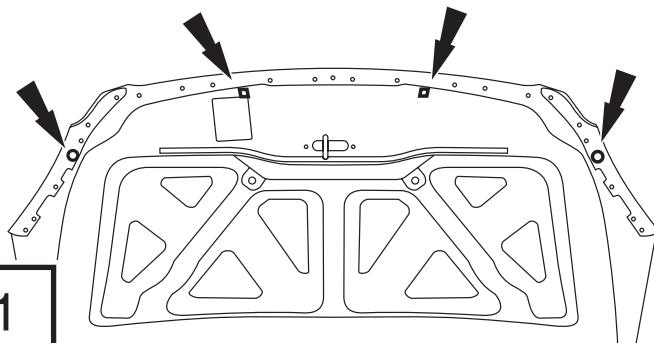
### Preparation Before Painting / Installation

- A trial fit is recommended to ensure proper positioning and fit.
- Check fit of parts before painting as we will not accept the return of modified or painted parts.
- Wash and dry your vehicle to remove any debris and/or dirt from the installation area.

### Installation Steps

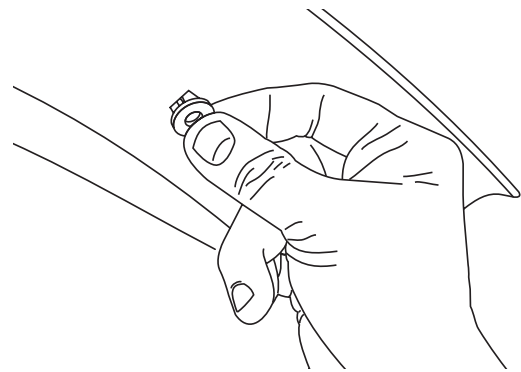
**NOTE:** Actual application may vary slightly from illustrations.

Open hood. Locate (2) square holes on the underside of hood and clean this area. Remove and discard (2) plastic fasteners located on the hood seals.



2

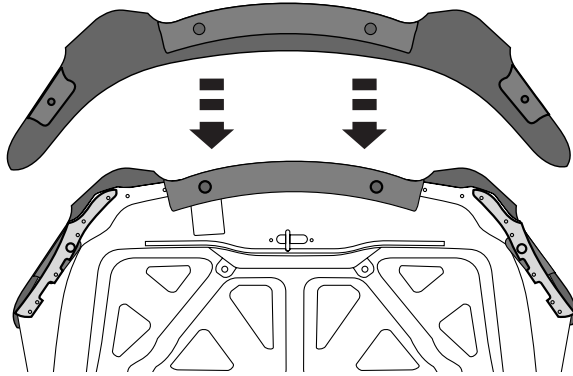
Press (2) hood inserts into the (2) square holes. If necessary use tape to hold them firmly in place.



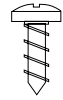
## Installation Steps

**NOTE:** Actual application may vary slightly from illustrations.

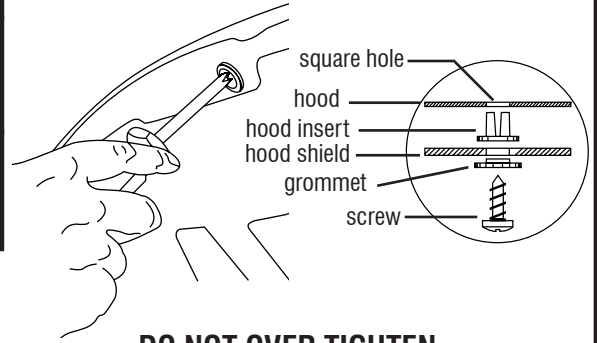
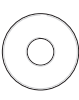
Set the hood shield in place, sliding outer tabs **UNDER** the hood seals.



3

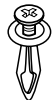


Using a phillips screwdriver install (2) screws with (2) washers through the hood inserts.

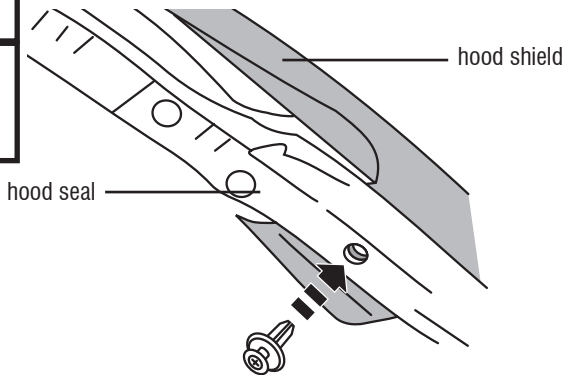


4

**DO NOT OVER TIGHTEN**



Insert (2) fasteners through the holes in the seal and hood shield and into the holes in hood.

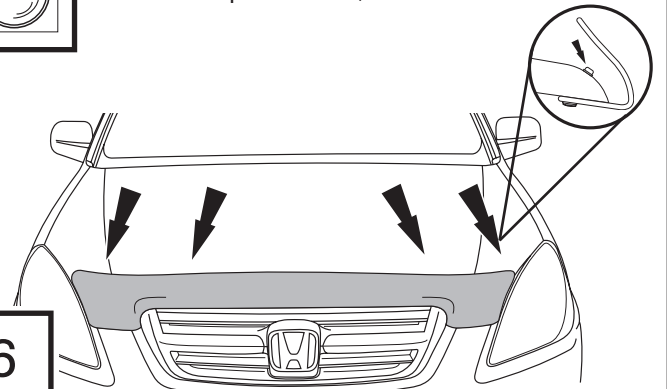


5



Install bump ons at pre-cleaned locations on the painted hood/fender surface.

6



## Care and Cleaning

- Wash only with mild soap & dry with a clean cloth.