

WeatherTech®

Easy-On™ Stone & Bug Deflectors

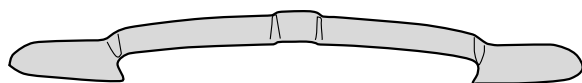
Important Safety Information



- CAUTION - Before driving, ensure that the hood shield is properly secured to vehicle.
- Do not use automatic "brush-style" car washes.
- Do not use cleaning solvents of any kind.
- Periodically check all components for tightness.

Contents

NOTE: Actual product may vary from illustration.



Hood shield



Bump On
x4

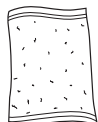


Alcohol
Pad x2

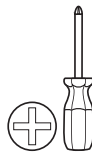
Tools Required



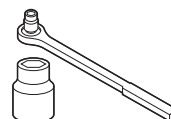
Car Wash Supplies



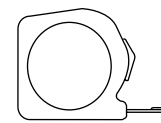
Clean Towel



Phillips
screwdriver



Socket
wrench



Tape measure

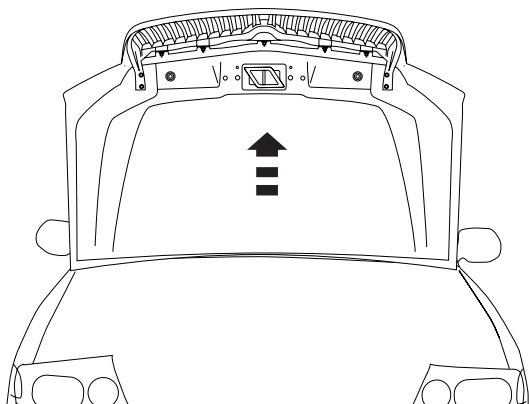
Preparation Before Painting / Installation

- A trial fit is recommended to ensure proper positioning and fit.
- Check fit of parts before painting as we will not accept the return of modified or painted parts.
- Wash and dry your vehicle to remove any debris and/or dirt from the installation area.

Installation Steps

NOTE: Actual application may vary slightly from illustrations.

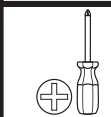
Open hood.



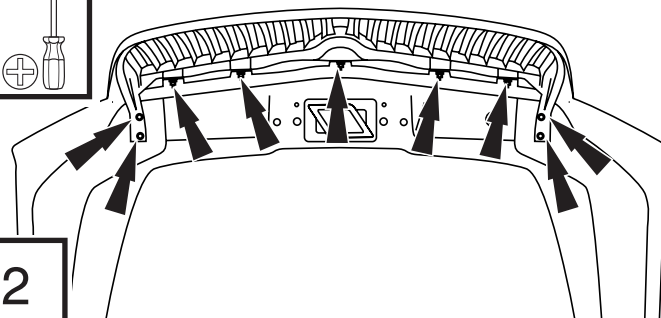
1



Loosen (5) nuts and (4) screws that attach grill to hood.

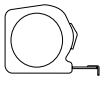


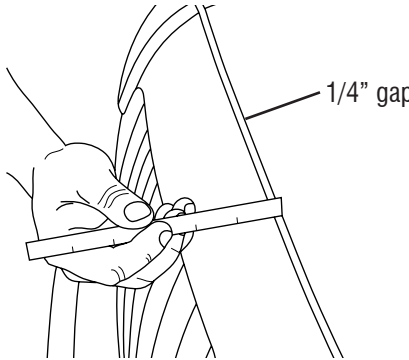
2




Installation Steps

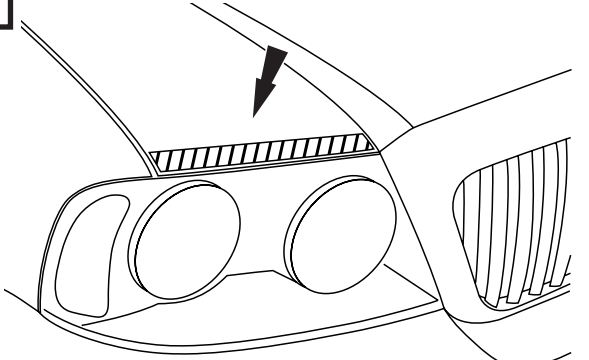
NOTE: Actual application may vary slightly from illustrations.

 Lower hood, and create a 1/4" (.64 cm) gap between the grill and the hood.



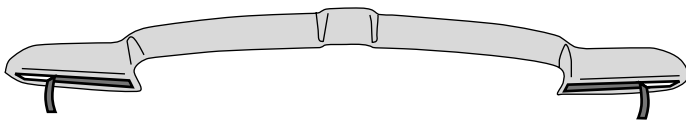
3

 Clean the tape mounting locations on both ends of the hood with an alcohol pad.




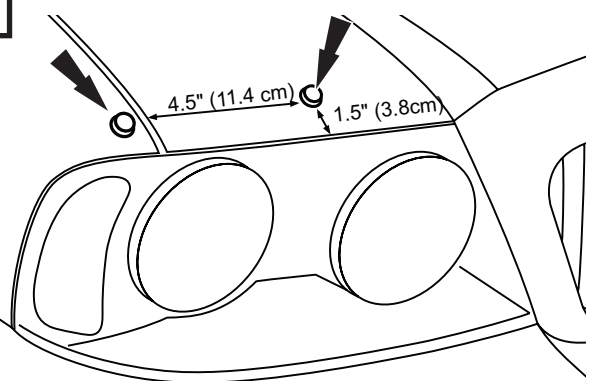
4

Expose 2" (5 cm) of tape liner from each end of the flanges on the hood shield.



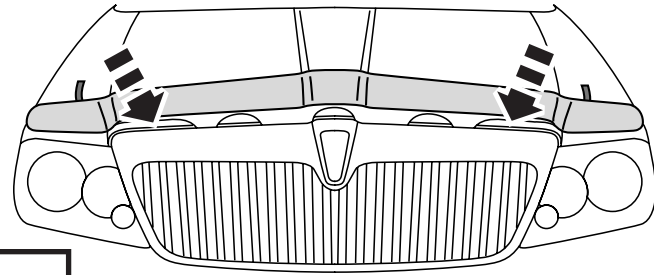
5

 Install bump ons at pre-cleaned locations on both sides of the hood and front fenders.

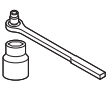


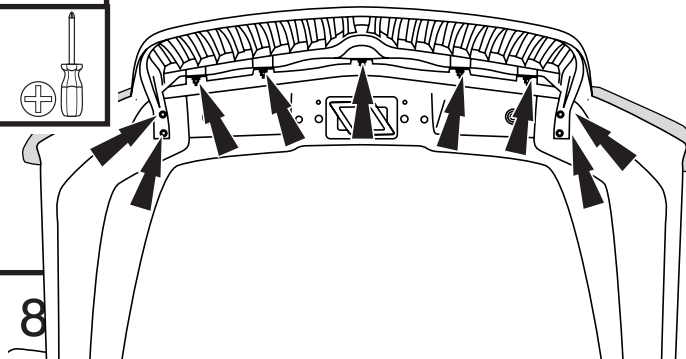
6

Align the hood shield center point with the center of hood. Slide hood shield into created gap between grill and hood. Press on exposed tape to secure position.



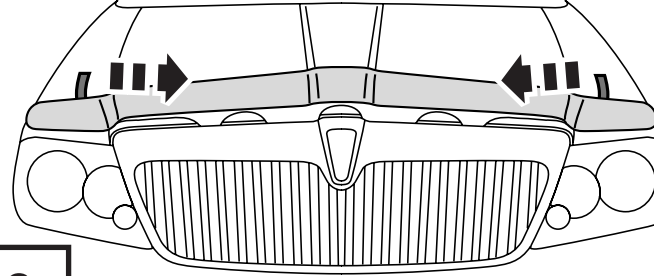
7

 Raise hood and retighten the (5) grill nuts and (4) grill screws.




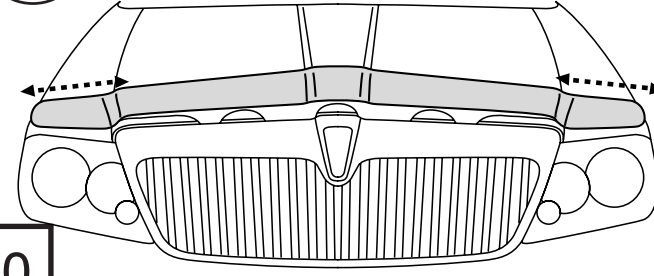
8

With the hood shield in its final position, remove the remaining tape liner by pulling on free ends.



9

 Apply pressure to taped areas to ensure adhesion.



10

Care and Cleaning

- Wash only with mild soap & dry with a clean cloth.