

WeatherTech®

Easy-On™ Stone & Bug Deflectors

Important Safety Information



- CAUTION - Before driving, ensure that the hood shield is properly secured to vehicle.
- Do not use automatic "brush-style" car washes.
- Do not use cleaning solvents of any kind.
- Periodically check all components for tightness.

Contents

NOTE: Actual product may vary from illustration.



Bugdeflector



Fastner x4



Bump On x4

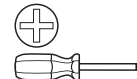
Tools Required



Car Wash Supplies



Clean Towel



Phillips Screwdriver

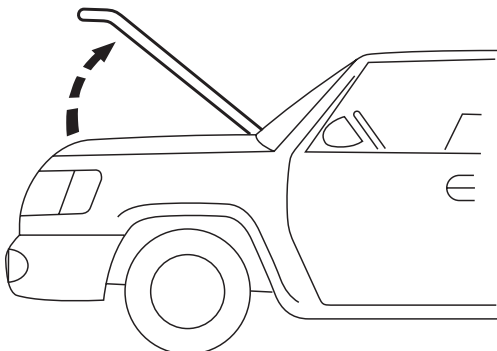
Preparation Before Painting / Installation

- A trial fit is recommended to ensure proper positioning and fit.
- Check fit of parts before painting as we will not accept the return of modified or painted parts.
- Wash and dry your vehicle to remove any debris and/or dirt from the installation area.

Installation Steps

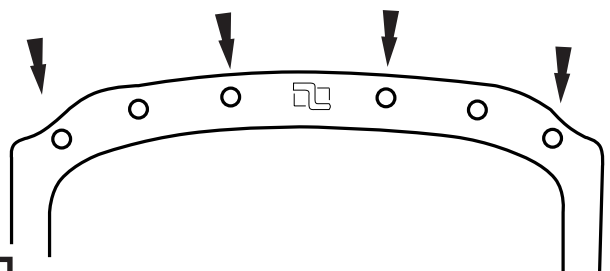
NOTE: Actual application may vary slightly from illustrations.

Raise hood.



1

Locate 4 holes on underside of hood that align with the holes in hood shield and clean to remove any dust or debris.

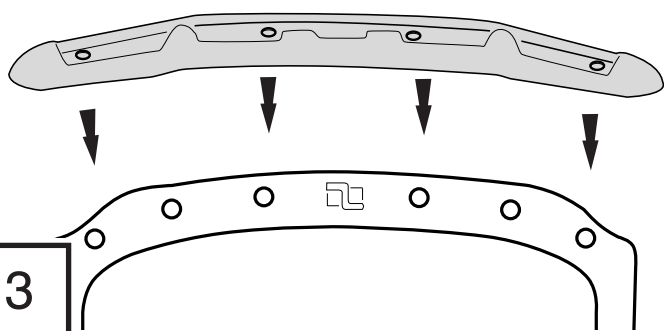


2

Installation Steps

NOTE: Actual application may vary slightly from drawings.

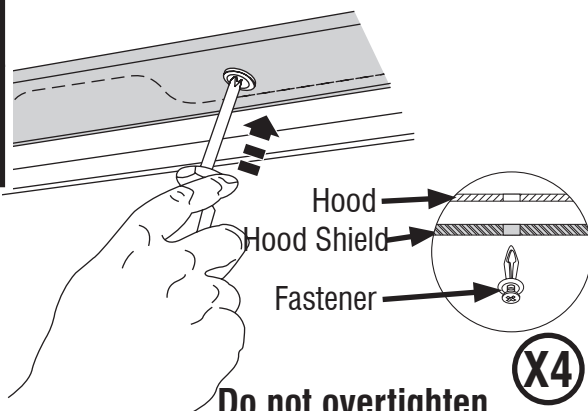
Align holes in hood shield with holes in underside of hood and position in place.



3



Install fasteners by either pushing or screwing.

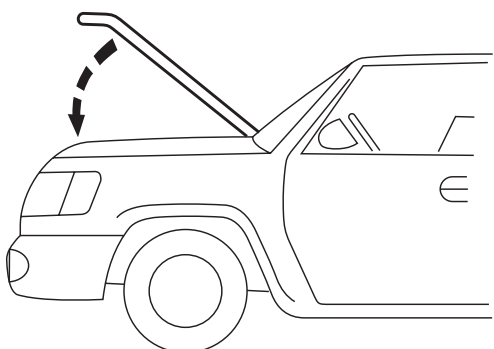


4

Do not overtighten

(X4)

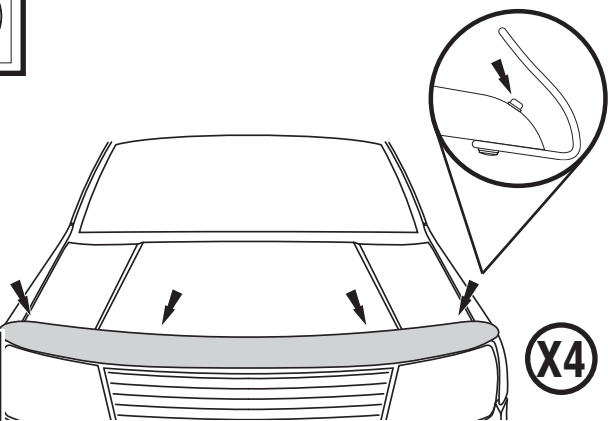
Close hood.



5



Install (4) bumpons on painted hood/fender surface.



6

(X4)

Care and Cleaning

- Wash only with mild soap & dry with a clean cloth.

Looking for dependable stone & bug deflectors?
Rely on Weathertech for quality and long-lasting products.