

# WeatherTech®

## Easy-On™ Stone & Bug Deflectors

### Important Safety Information



- CAUTION - Before driving, ensure that the hood shield is properly secured to vehicle.
- Do not use automatic "brush-style" car washes.
- Do not use cleaning solvents of any kind.
- Periodically check all components for tightness.

### Contents

**NOTE:** Actual product may vary from illustration.



Hood shield



Bump On x4



Fastener x4

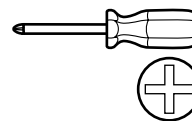
### Tools Required



Car Wash Supplies



Clean Towel



Phillips screwdriver

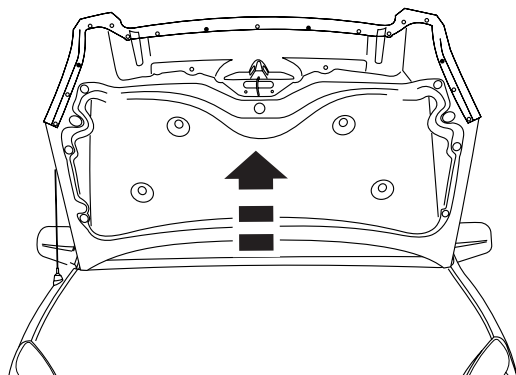
### Preparation Before Painting / Installation

- A trial fit is recommended to ensure proper positioning and fit.
- Check fit of parts before painting as we will not accept the return of modified or painted parts.
- Wash and dry your vehicle to remove any debris and/or dirt from the installation area.

### Installation Steps

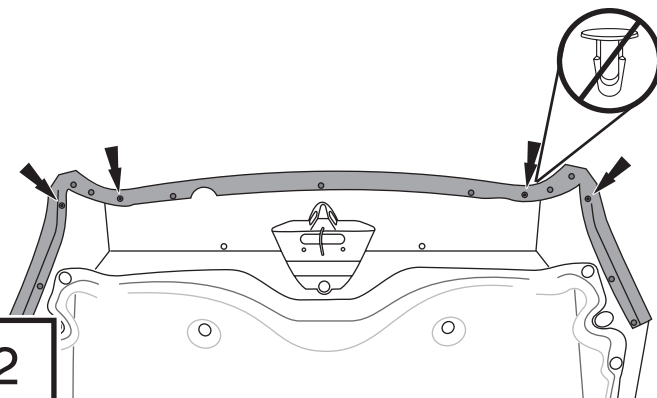
**NOTE:** Actual application may vary slightly from illustrations.

Raise hood.



1

Locate the fasteners that attach the rubber seal to the underside of the hood. Remove and discard. **Honda Si shown.**



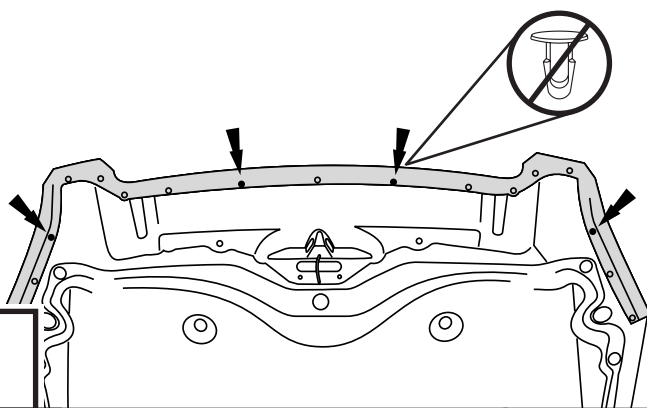
2

# Installation Steps **NOTE:** Actual application may vary slightly from illustrations.

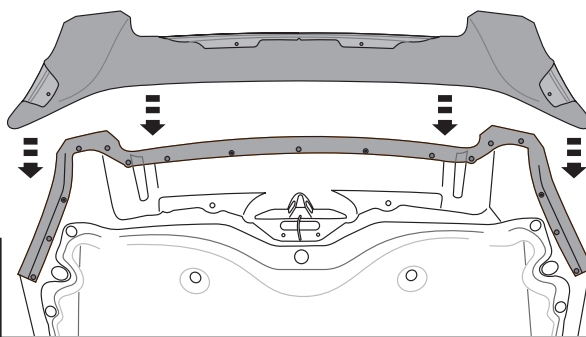
Locate the fasteners that attach the rubber seal to the underside of the hood. Remove and discard. **Honda CRV shown.**

Align Hood Shield with holes in hood. The mounting flange of the hood shield is positioned **UNDER** the rubber trim.

3

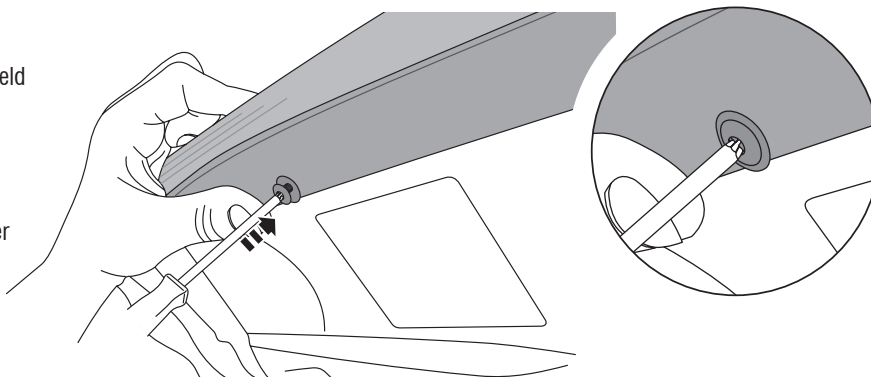
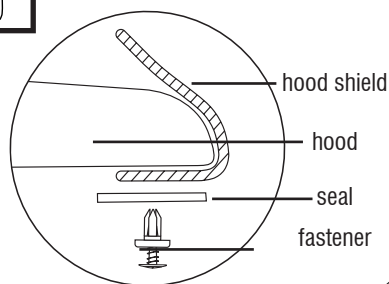


4



Insert (1) fastener and push into place with a phillips head screwdriver. Do not attempt to screw into place as additional force is needed to properly seat fastener. Repeat for remaining (3) fasteners.

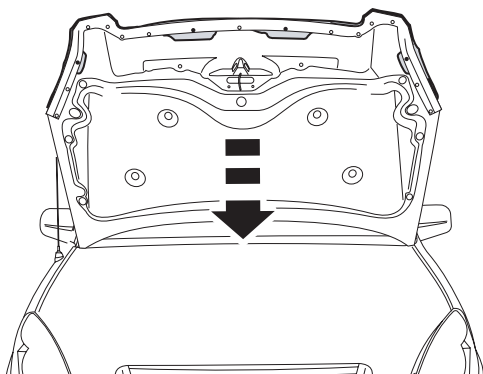
5



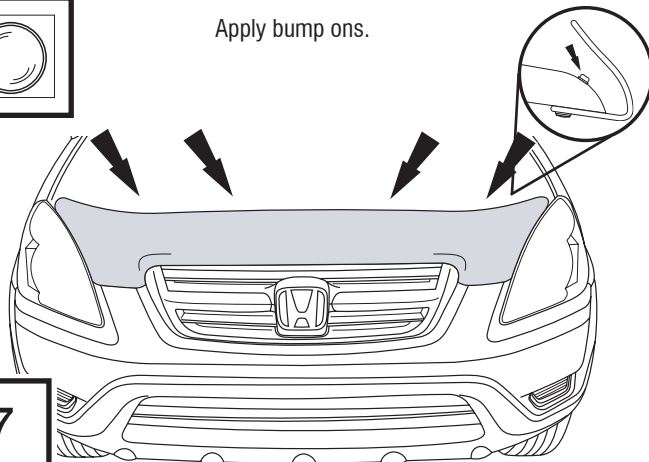
Lower hood.

Apply bump ons.

6



7



## Care and Cleaning

- Wash only with mild soap & dry with a clean cloth.