

# WeatherTech®

## Easy-On™ Stone & Bug Deflectors

### Important Safety Information



- CAUTION - Before driving, ensure that the hood shield is properly secured to vehicle.
- Do not use automatic "brush-style" car washes.
- Do not use cleaning solvents of any kind.
- Periodically check all components for tightness.

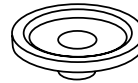
### Contents **NOTE:** Actual product may vary from illustration.



Hood Shield



Screws x4



Grommet x4



Inserts x4



Bump On x4

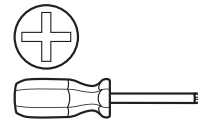
### Tools Required



Car Wash Supplies



Clean Towel

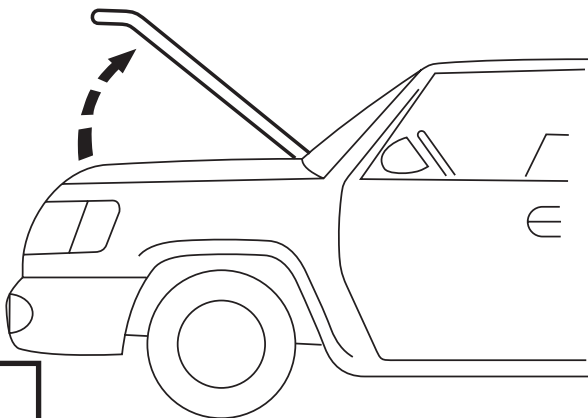


Phillips Screwdriver

### Preparation Before Painting / Installation

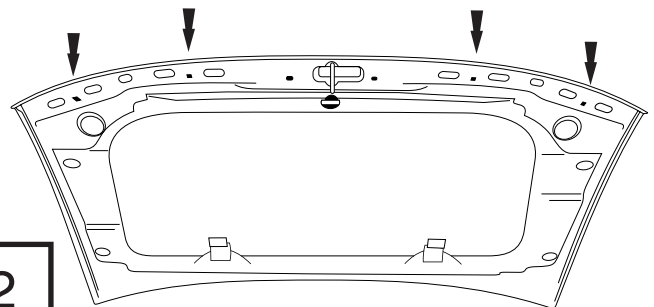
- A trial fit is recommended to ensure proper positioning and fit.
- Check fit of parts before painting as we will not accept the return of modified or painted parts.
- Wash and dry your vehicle to remove any debris and/or dirt from the installation area.

### Installation Steps **NOTE:** Actual application may vary slightly from illustrations.



1

Locate (4) square holes on underside of hood. Clean this area to remove any dust or debris.



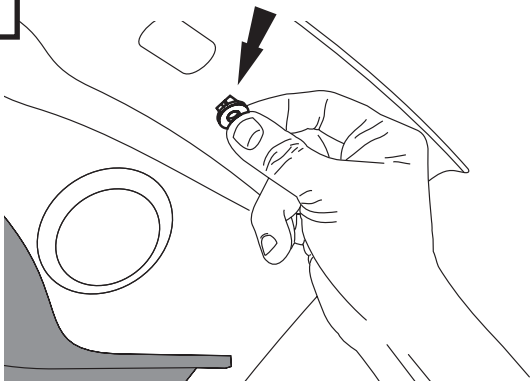
2

# Installation Steps

**NOTE:** Actual application may vary slightly from drawings.

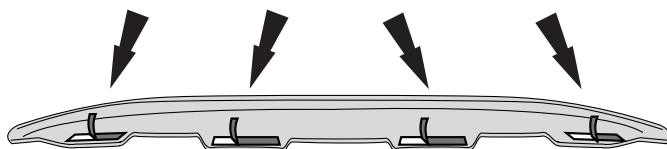


Press (4) hood inserts into the (4) square holes.



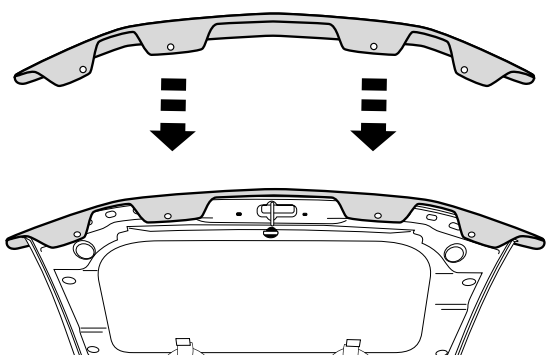
3

For applications with tape, expose 2" (5 cm) of tape liner from each end of the flanges on the hood shield.



4

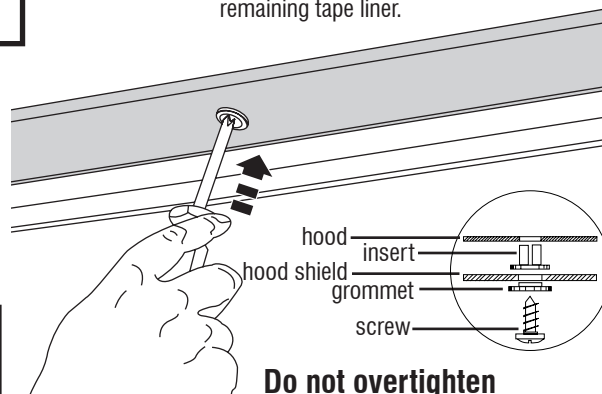
Align Hood Shield with holes in hood.



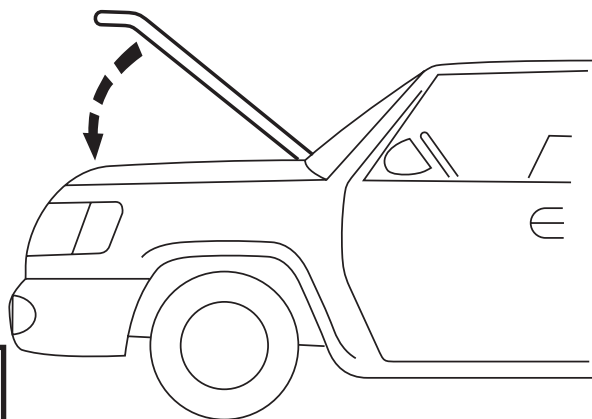
5



Using a phillips screwdriver, install (2) center screws. Repeat for remaining (2) holes. If applicable, remove remaining tape liner.

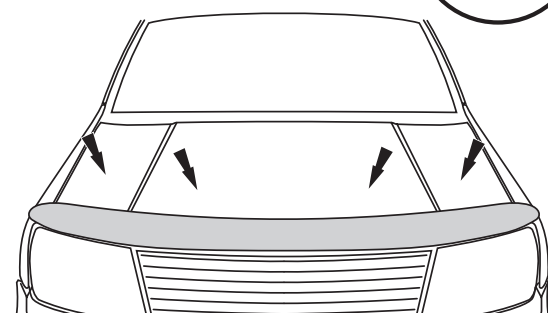
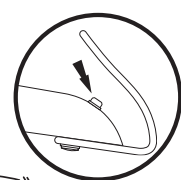


6



7

Install (4) bump ons.



8

# Care and Cleaning

- Wash only with mild soap & dry with a clean cloth.