

# WeatherTech®

## Easy-On™ Stone & Bug Deflectors

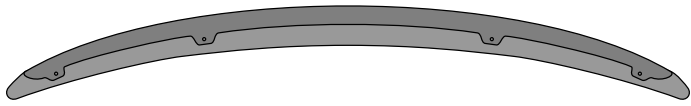
### Important Safety Information



- CAUTION - Before driving, ensure that the hood shield is properly secured to vehicle.
- Do not use automatic "brush-style" car washes.
- Do not use cleaning solvents of any kind.
- Periodically check all components for tightness.

### Contents

**NOTE:** Actual product may vary from illustration.



Hood shield



Bump On x4



Screw x2



Washer x2

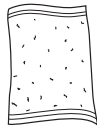


Alcohol Pad x2

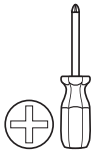
### Tools Required



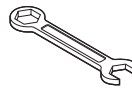
Car Wash Supplies



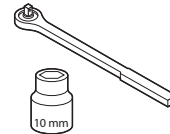
Clean Towel



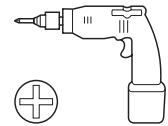
Phillips Screwdriver



Wrench



Socket wrench



Power screwdriver

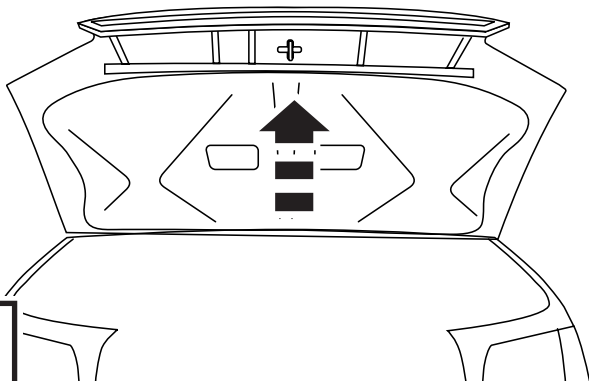
### Preparation Before Painting / Installation

- A trial fit is recommended to ensure proper positioning and fit.
- Check fit of parts before painting as we will not accept the return of modified or painted parts.
- Wash and dry your vehicle to remove any debris and/or dirt from the installation area.

### Installation Steps

**NOTE:** Actual application may vary slightly from illustrations.

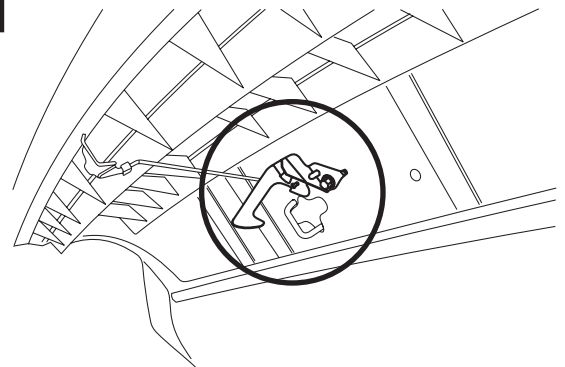
Open hood and locate the hood latch behind the grill.



1



Carefully disconnect latch from hood by removing (1) screw with a wrench.



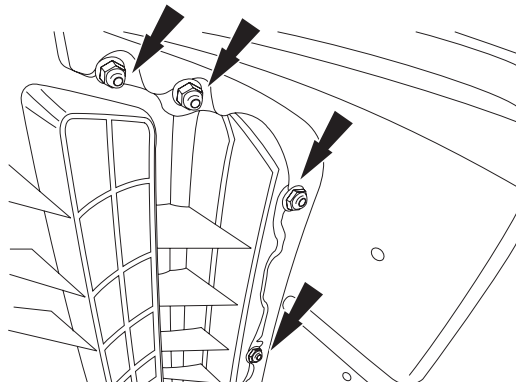
2

# Installation Steps

**NOTE:** Actual application may vary slightly from illustrations.

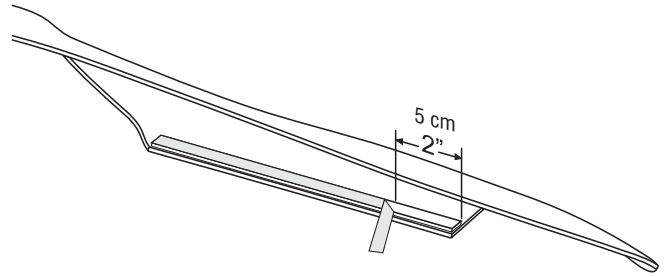


Remove (6) nuts that secure grill to hood. Carefully remove grill from hood and set aside.



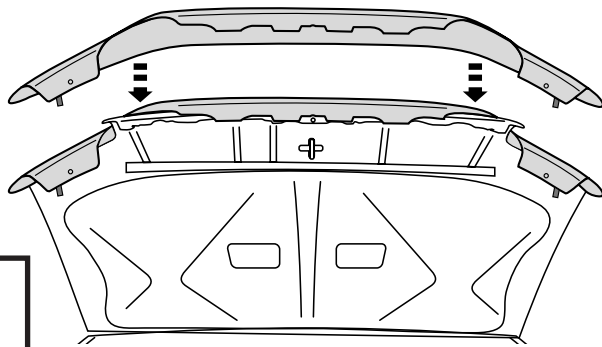
3

Peel back 2" (5 cm) of tape liner from each end of hood shield.



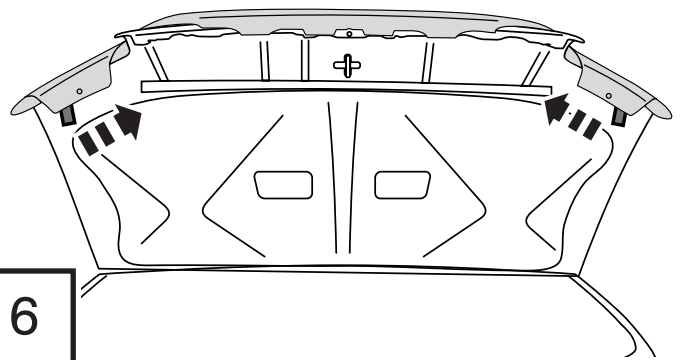
4

Center hood shield on hood. Press firmly to adhere previously exposed tape to underside of hood.



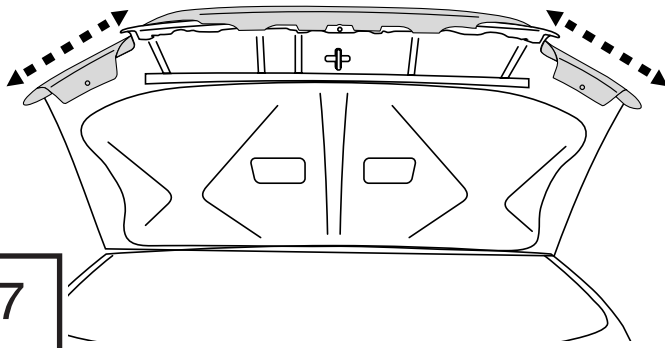
5

With the hood shield in its final position, remove remaining tape liner.

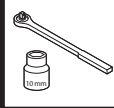


6

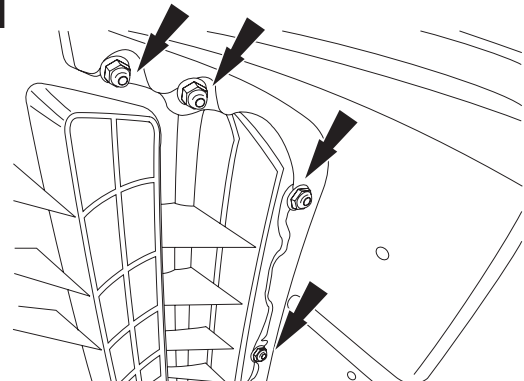
Press firmly along tape flanges to ensure tape had adhered properly to underside of hood.



7



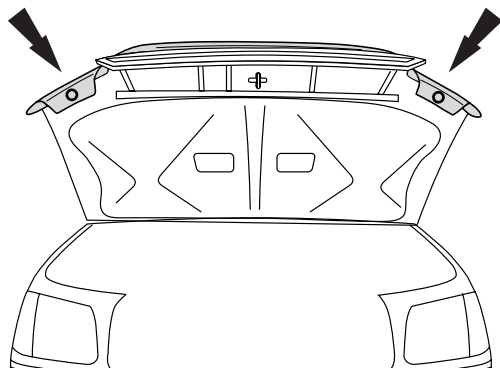
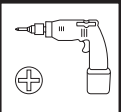
Make sure that the front flange of the hood shield is hanging over the grill opening and reattach grill using previously removed (6) nuts.



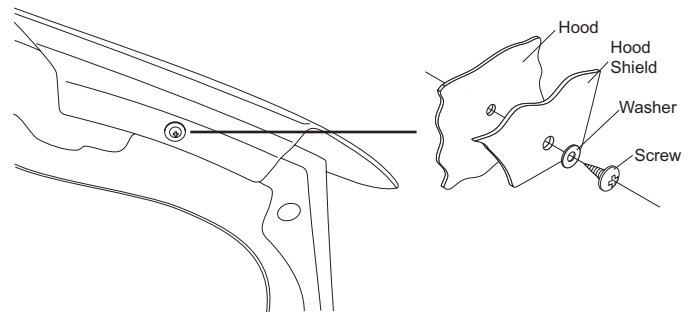
8

## Optional screw attachment

Screw the self-tapping screw with washer through the predrilled holes in hood shield and into hood. A power screwdriver is recommended, but once the screwdriver penetrates the inside metal panel use a regular phillips screwdriver the remainder of the way.



9



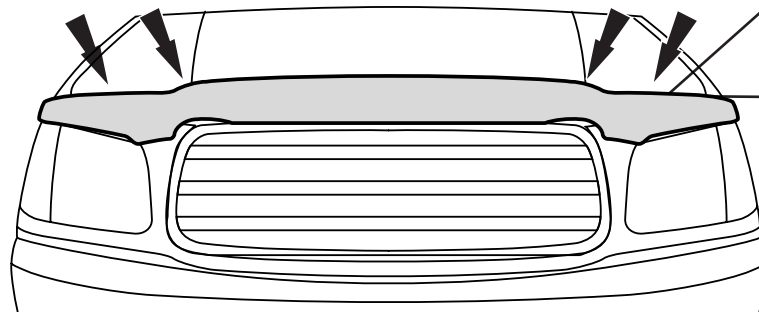
**DO NOT OVER TIGHTEN**

## Installation Steps

**NOTE:** Actual application may vary slightly from illustrations.



Install bump ons at pre-cleaned locations on hood surface.



10

## Care and Cleaning

- Wash only with mild soap & dry with a clean cloth.