

WeatherTech®

Easy-On™ Stone & Bug Deflectors

Important Safety Information

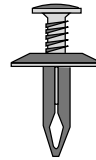


- CAUTION - Before driving, ensure that the hood shield is properly secured to vehicle.
- Do not use automatic "brush-style" car washes.
- Do not use cleaning solvents of any kind.
- Periodically check all components for tightness.

Contents **NOTE:** Actual product may vary from illustration.



Hood Shield



Fastener x4



Bump On x4

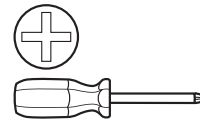
Tools Required



Car Wash Supplies



Clean Towel

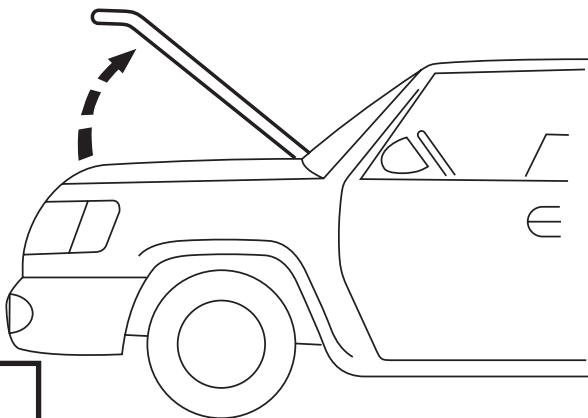


Phillips Screwdriver

Preparation Before Painting / Installation

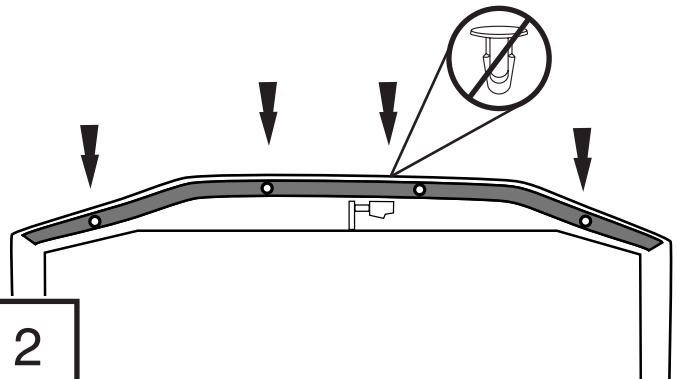
- A trial fit is recommended to ensure proper positioning and fit.
- Check fit of parts before painting as we will not accept the return of modified or painted parts.
- Wash and dry your vehicle to remove any debris and/or dirt from the installation area.

Installation Steps **NOTE:** Actual application may vary slightly from illustrations.



1

Locate (4) weatherstrip fasteners under hood that align with predrilled holes in hood shield. Remove and discard fasteners.

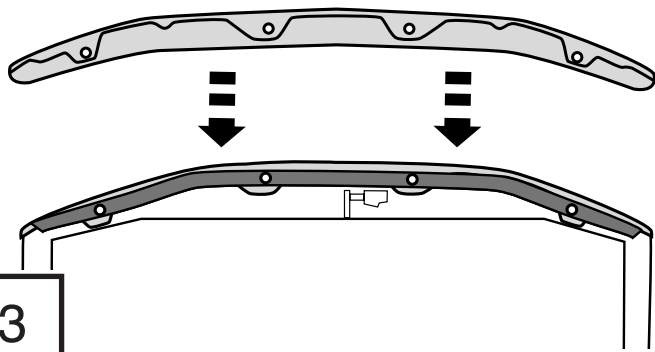


2

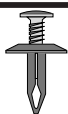
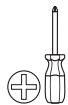
Installation Steps

NOTE: Actual application may vary slightly from drawings.

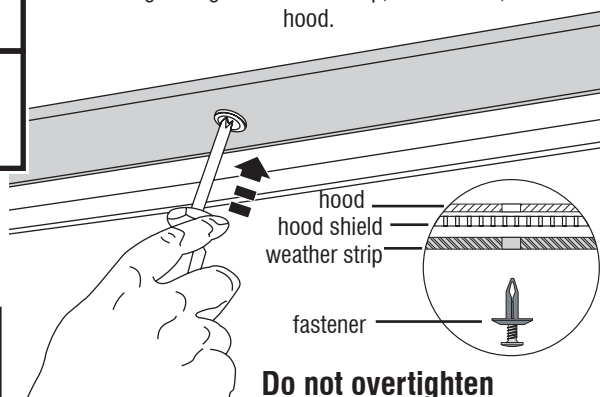
Align Hood Shield with holes in hood. The mounting flange of the hood shield is positioned **UNDER** the rubber trim.



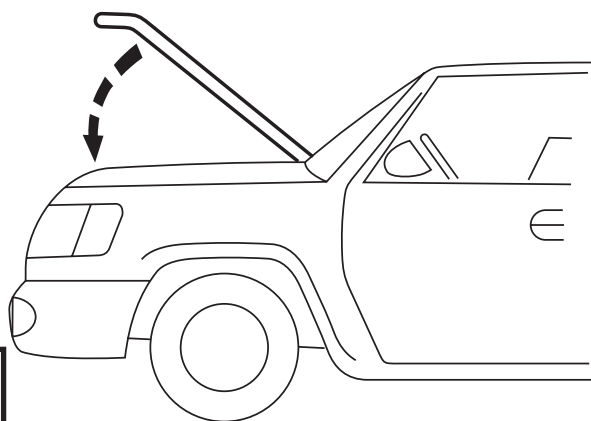
3



Using a phillips screwdriver, install (4) fasteners by screwing through the weatherstrip, hood shield, and hood.



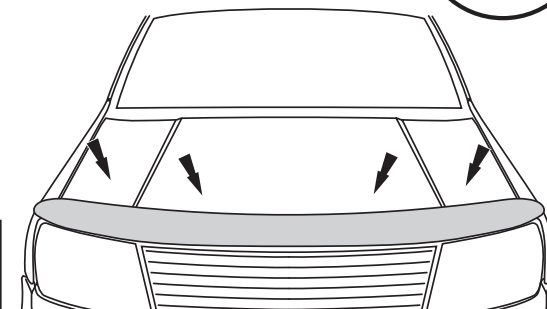
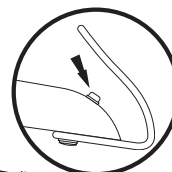
4



5



Install (4) bump ons.



6

Care and Cleaning

- Wash only with mild soap & dry with a clean cloth.