

WeatherTech®

Easy-On™ Stone & Bug Deflectors

Important Safety Information



- CAUTION - Before driving, ensure that the hood shield is properly secured to vehicle.
- Do not use automatic "brush-style" car washes.
- Do not use cleaning solvents of any kind.
- Periodically check all components for tightness.

Contents

NOTE: Actual product may vary from illustration.



Hood shield



Bump Ons x4
(98024)

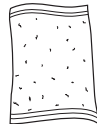


Fasteners x5
(98030)

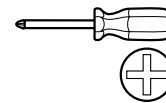
Tools Required



Car Wash Supplies



Clean Towel



Phillips Screwdriver

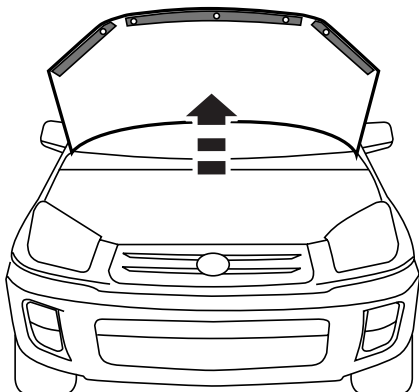
Preparation Before Painting / Installation

- A trial fit is recommended to ensure proper positioning and fit.
- Check fit of parts before painting as we will not accept the return of modified or painted parts.
- Wash and dry your vehicle to remove any debris and/or dirt from the installation area.

Installation Steps

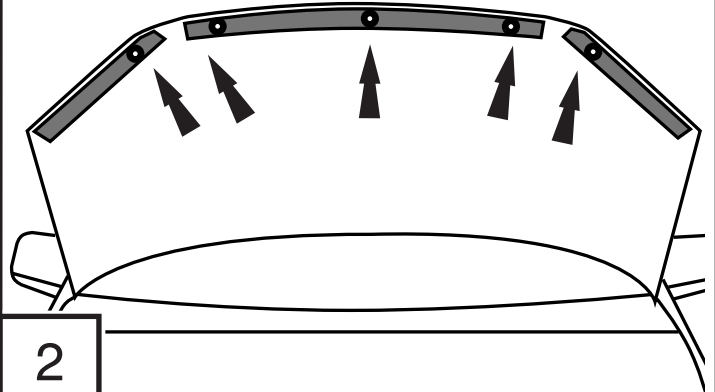
NOTE: Actual application may vary slightly from illustrations.

Open hood.



1

Remove (5) retainers attaching rubber trim to hood.

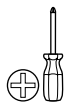
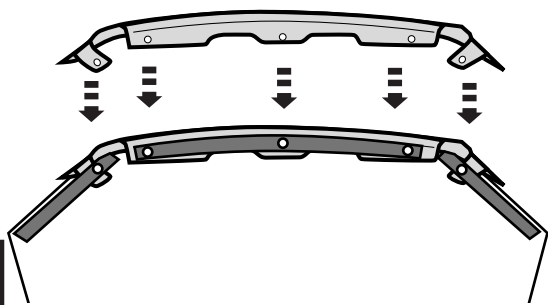


2

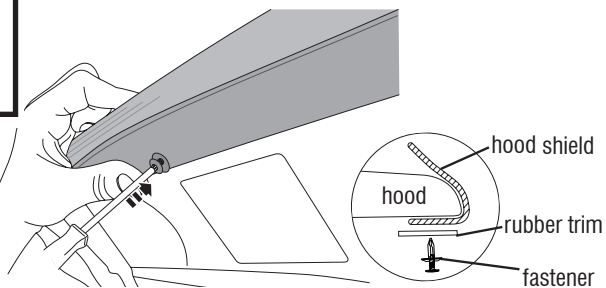
Installation Steps

NOTE: Actual application may vary slightly from illustrations.

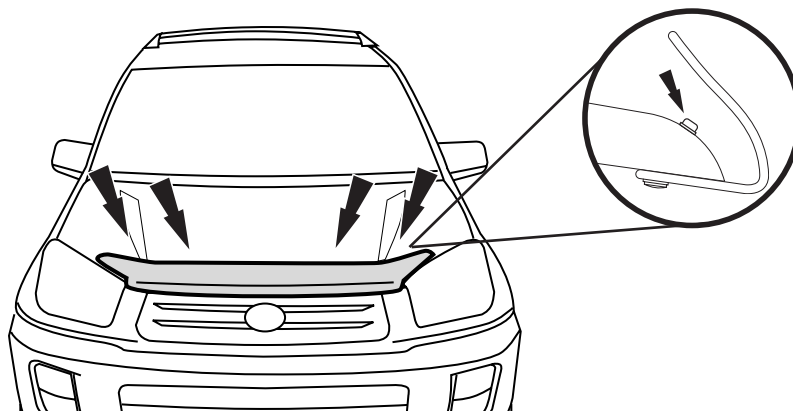
Align pre-drilled holes in hood shield with holes in hood. Hood shield slides **between** hood and rubber trim.



Insert (1) fastener and push firmly through hole in hood shield and into hood to secure. Repeat for remaining (4) fasteners.



Close hood, and install bump ons at pre-cleaned locations on the painted hood surface.



Care and Cleaning

- Wash only with mild soap & dry with a clean cloth.

Looking for dependable stone & bug deflectors?
Rely on Weathertech for quality and long-lasting products.