

# WeatherTech®

## Easy-On™ Stone & Bug Deflectors

### Important Safety Information



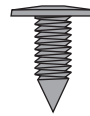
- CAUTION - Before driving, ensure that the hood shield is properly secured to vehicle.
- Do not use automatic "brush-style" car washes.
- Do not use cleaning solvents of any kind.
- Periodically check all components for tightness.

### Contents

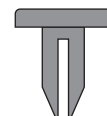
NOTE: Actual product may vary from illustration.



Bugdeflector



Screws x4



Receptacles x4



Bump On x4

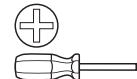
### Tools Required



Car Wash Supplies



Clean Towel



Phillips Screwdriver

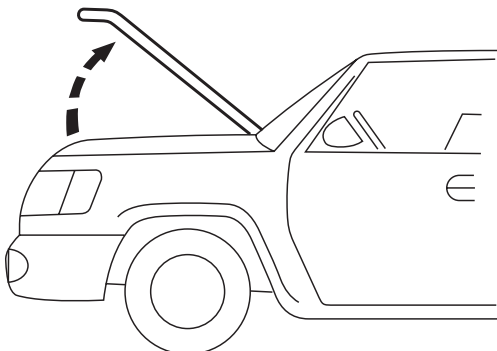
### Preparation Before Painting / Installation

- A trial fit is recommended to ensure proper positioning and fit.
- Check fit of parts before painting as we will not accept the return of modified or painted parts.
- Wash and dry your vehicle to remove any debris and/or dirt from the installation area.

### Installation Steps

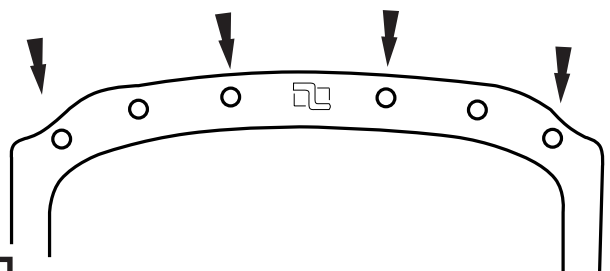
NOTE: Actual application may vary slightly from illustrations.

Raise hood.



1

Locate 4 holes on underside of hood that align with the holes in hood shield and clean to remove any dust or debris.

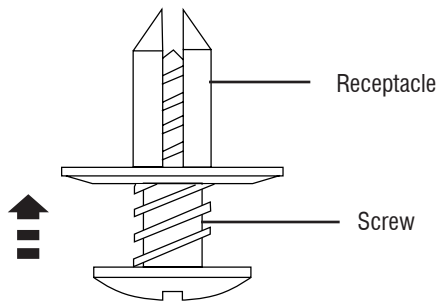


2

## Installation Steps

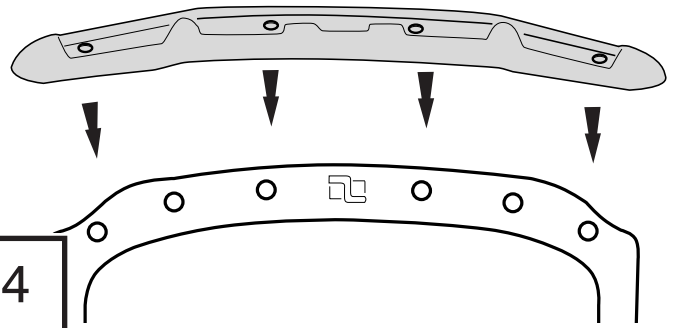
**NOTE:** Actual application may vary slightly from drawings.

Insert screw into receptacle and rotate (2) turns.



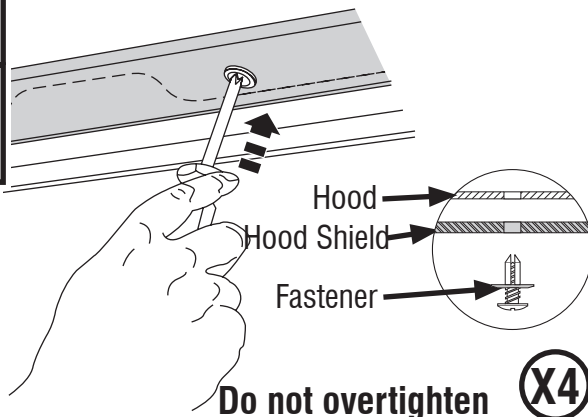
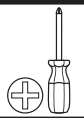
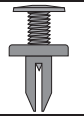
3

Align holes in hood shield with holes in underside of hood and position in place.



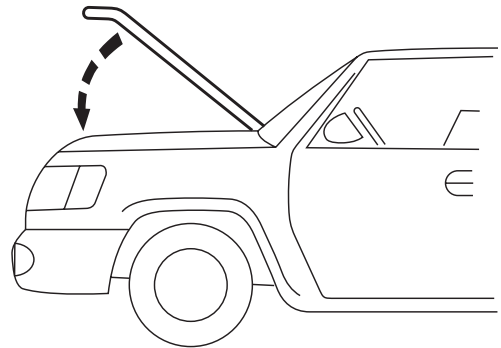
4

Install fasteners by either pushing or screwing.



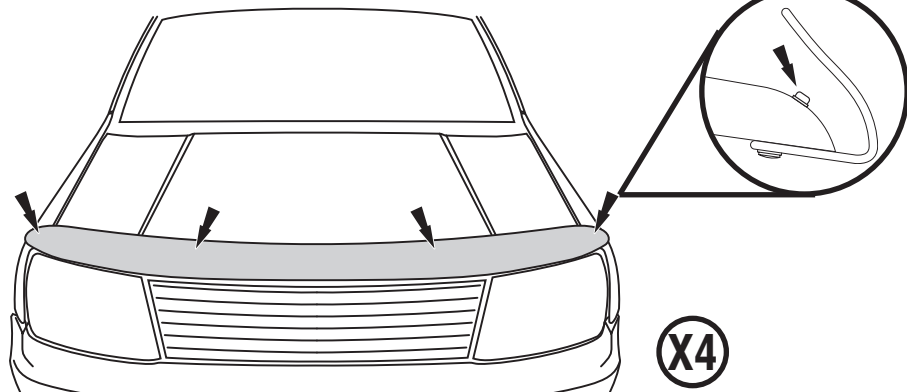
5

Close hood.



6

Install (4) bumpons on painted hood/fender surface.



7

## Care and Cleaning

- Wash only with mild soap & dry with a clean cloth.