

WeatherTech®

Easy-On™ Stone & Bug Deflectors

Important Safety Information



- CAUTION - Before driving, ensure that the hood shield is properly anchored to vehicle.
- Do not use automatic “brush-style” car washes.
- Do not use cleaning solvents of any kind.
- Periodically check all components for tightness.

Contents **NOTE:** Actual product may vary from illustration.



Hood Shield



Alcohol Pad x2



Washer x4



Self Tapping
Screw x4



Bump On x4

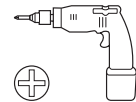
Tools Required



Car Wash Supplies



Clean Towel

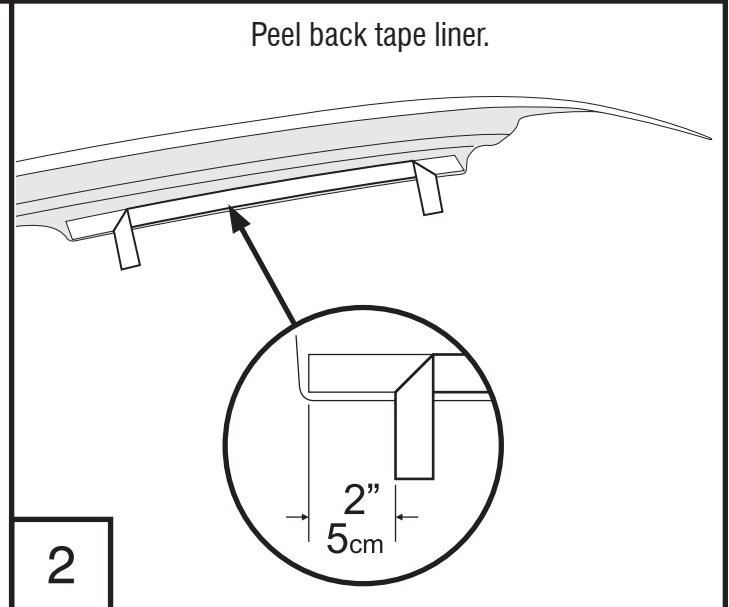
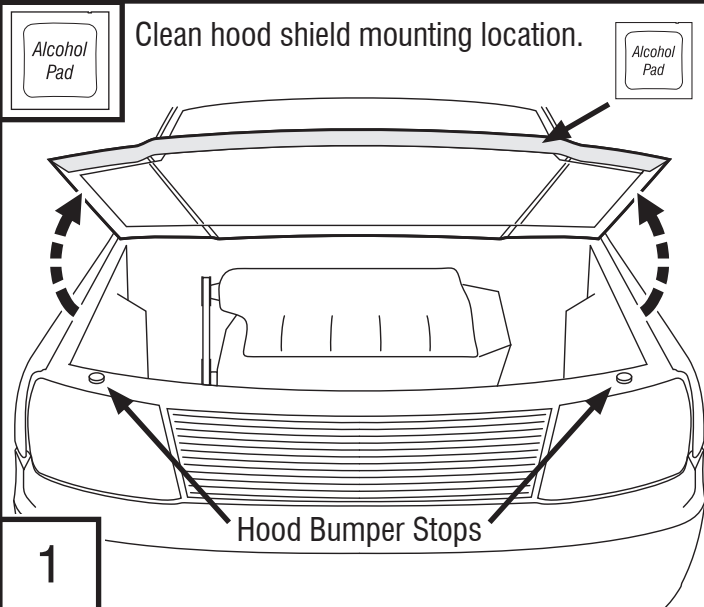


Appropriate hand tools

Preparation Before Painting / Installation

- A trial fit is recommended to ensure proper positioning and fit.
- Check fit of parts before painting as we will not accept the return of modified or painted parts.
- Wash your vehicle's hood to remove any debris and/or dirt.
- Dry the hood with a clean towel.

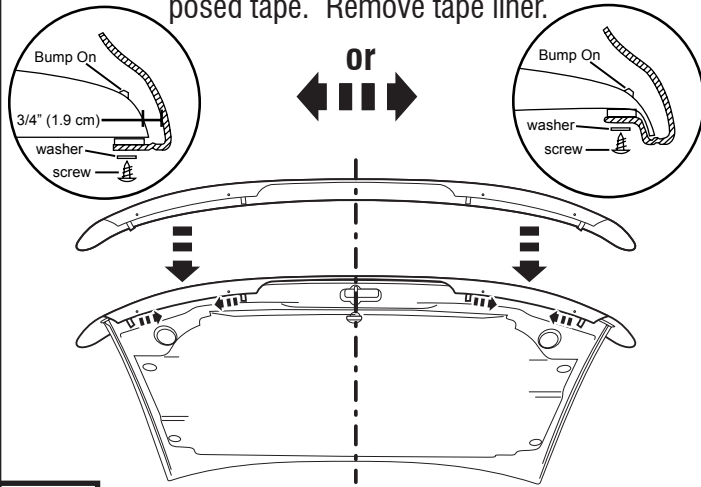
Installation Steps **NOTE:** Actual application may vary slightly from illustrations.



Installation Steps

NOTE: Actual application may vary slightly from drawings.

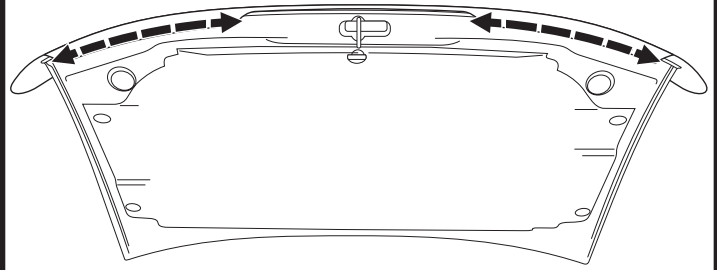
Center hood shield and attach with exposed tape. Remove tape liner.



3

NOTE: The hood shield should be offset approximately 3/4" (1.9 cm) from the front edge of hood.

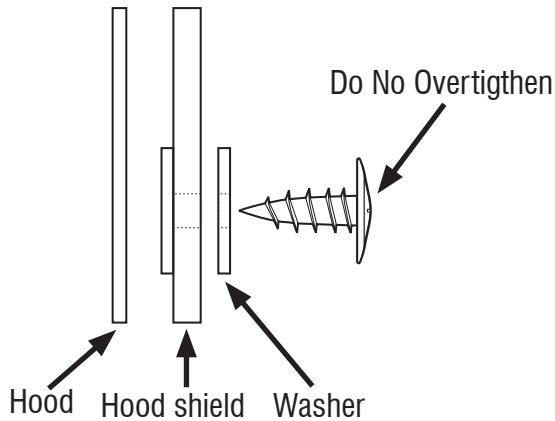
Apply pressure to tape flange.



4

NOTE: If applicable position hood shield over trim.
 92-99 Ford Fullsize Van - under trim
 91-96 Ford Escort - discard rubber trim
 99-up F250/350 - discard rubber trim

Optional Screw Attachment

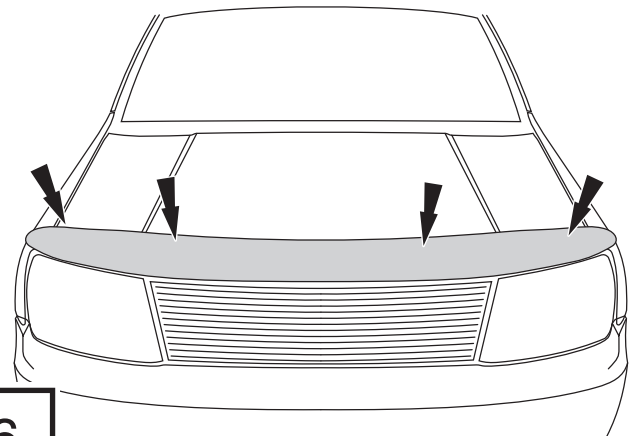


5

91-94 Chevrolet Cavalier uses no screws
 96-up Dodge Caravan/Plymouth Voyager uses (2) screws only



Lower hood, adjust hood bumper stops if necessary. Apply bump-ons to hood surface.



6

Care and Cleaning

- Wash only with mild soap & dry with a clean cloth.