



VAN STORAGE SOLUTIONS
FOR THE WAY YOU WORK™

INSTALLATION MANUAL

Shelf Mounted Accessory

ATTENTION: PLEASE READ AND UNDERSTAND ALL INSTRUCTIONS AND WARNINGS BEFORE ASSEMBLING, INSTALLING OR USING THIS PRODUCT.

! PLAN YOUR VAN (TIPS FOR FASTER INSTALLATION)

- Plan the placement of your accessories before installing them, some accessories may be easier to install before mounting shelving into the van.
- Install panel mounted accessories before shelf mounted accessories.
- WEATHER GUARD® Rapid Mount™ Shelves have pre-punched mounting holes on 3" centers to simplify installation.
- The bottom of each shelf mounted accessory has three possible mounting locations to align with the mounting holes in the shelves.
- Power is faster, use an air or electric driver to assemble and install.

BOLT KIT

DESCRIPTION	QTY.
Mounting Bolt, 1/4-20 x 3/4" Hex Washer Head	4
U-clips	4
Mounting rails <i>to mount to a narrow shelf, order mounting kit 9993-3-01</i>	2

TOOLS REQUIRED

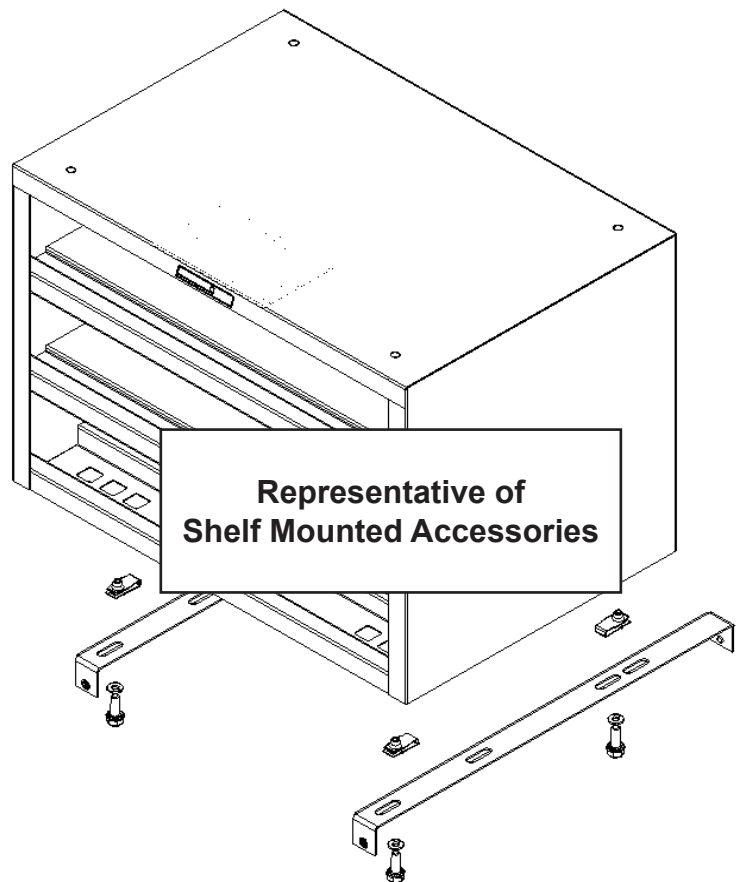
- 7/16 Open or Box end wrench
- 7/16" Socket and Driver

INSTALLATION TIME

Approximate installation time: 5 minutes per unit depending on van equipment installation experience.

! CAUTION

Be safe - always wear protective eye-wear to keep debris out of your eyes when installing WEATHER GUARD® Van Products.





VAN STORAGE SOLUTIONS
FOR THE WAY YOU WORK™

INSTALLATION MANUAL

Shelf Mounted Accessory

ATTENTION: PLEASE READ AND UNDERSTAND ALL INSTRUCTIONS AND WARNINGS BEFORE ASSEMBLING, INSTALLING OR USING THIS PRODUCT.

INSTALLATION STEPS

STEP 1. Position accessory near shelf and determine which set of shelf mounting holes to use.

STEP 2. Turn the accessory upside down.

STEP 3. Insert u-clips, flat side facing out, into positions that line up with the shelf mounting holes.

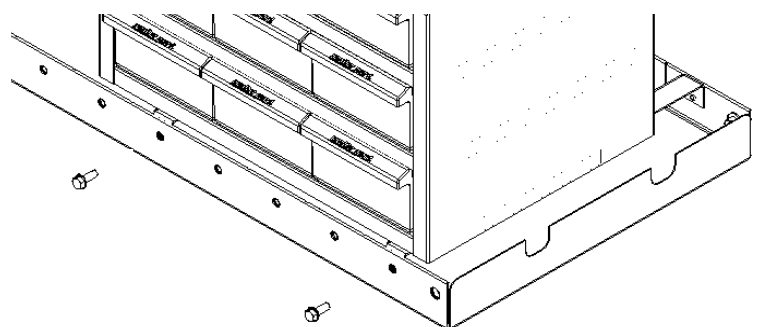
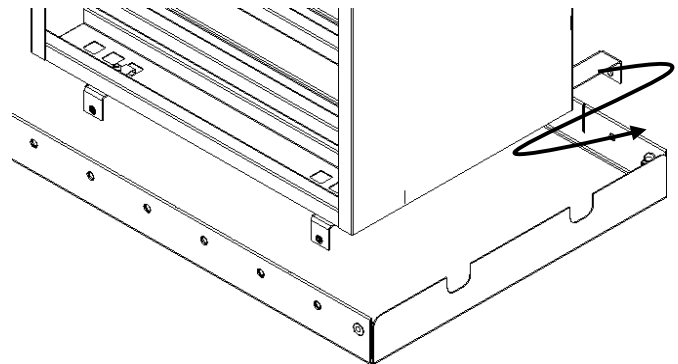
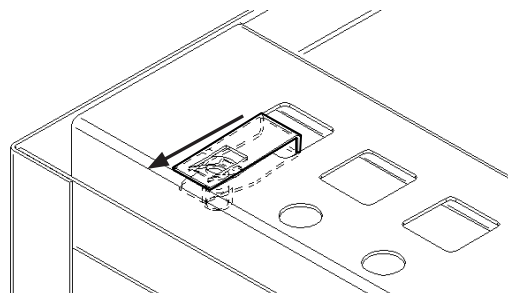
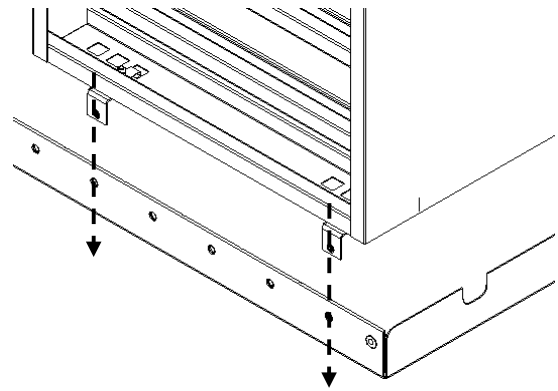
STEP 4. Attach mounting rails to accessory using the 1/4-20 x 3/4" mounting bolts and u-clips.

STEP 5. Turn accessory right-side up and position mounting pins through holes on the rear of the shelf.

STEP 6. Lower the accessory into position aligning the mounting tabs inside the shelf.

STEP 7. Attach the accessory to the shelf using the 1/4-20 x 3/4" mounting bolts. Tighten to 18 in-lbs.

Note: Mounting hardware is included if you want to stack units.



 **DANGER**

Danger of explosion. Do not use this product for storing or transporting flammables, explosives, hazardous materials, or hazardous waste, such as containers of gasoline, solvents, gun powder, dynamite, propane tanks, acetylene tanks and cutting torches. Failure to heed this warning will result in death or serious injury.

 **WARNING**

This product is only intended and safe for use in storing and transporting small tools, equipment and other similar materials. These instructions are to be followed using the parts and fasteners supplied for proper installation. Any modifications or improper installation of this product will create a hazardous condition that could result in death, serious personal injury and/or property damage.

All floor mounting bolts near the fuel tank area should be installed from the underside of the vehicle, to guard against the fuel tank being punctured in the event of a collision. This would mean not using Blind Fasteners in this area. Holes in this area should be 5/16". Ensure ample space in roof ribs and sidewall ribs for mounting screws so as not to puncture exterior roof or wall.

Do not install this product where it could interfere with deployment of air bags. Failure to comply could result in death or serious body injury.

 **CAUTION**

Prior to drilling, so as not to cut electric wires, fuel lines, brake lines, etc., check behind and underneath drilling and mounting locations. Failure to heed this warning will result in death or serious injury.

– NOTICE –

Any modification or unintended use of this product shall immediately void all manufacturers warranties. Manufacturer disclaims all liability for injuries to persons or property resulting from any modification to, or unintended use of this product.

