



**VAN STORAGE SOLUTIONS**  
FOR THE WAY YOU WORK™

# INSTALLATION MANUAL

## Door Tray Units

**ATTENTION: PLEASE READ AND UNDERSTAND ALL INSTRUCTIONS AND WARNINGS BEFORE ASSEMBLING, INSTALLING OR USING THIS PRODUCT.**

### TOOLS REQUIRED

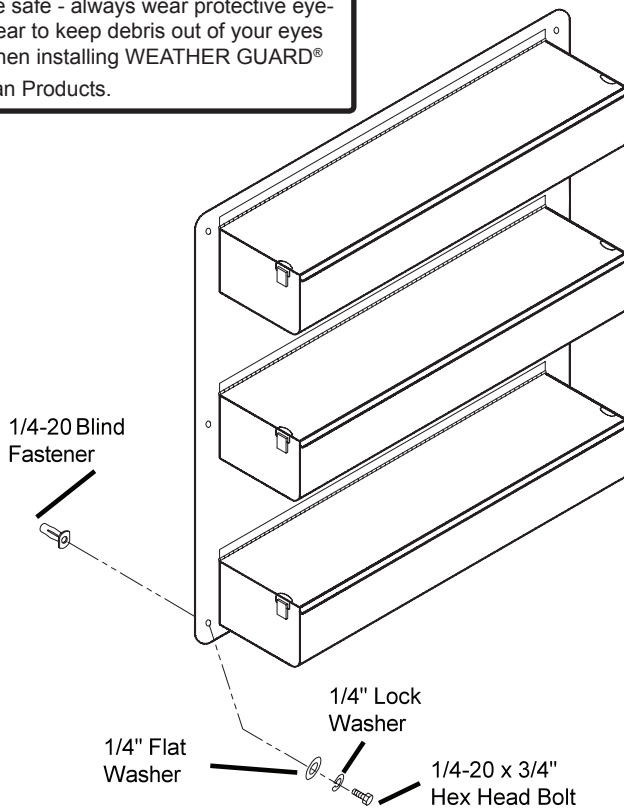
- Electric Drill
- 13/32" Drill Bit
- 7/16" Opened or Box End Wrench
- 9/16" Opened or Box End Wrench

### BOLT KIT

DESCRIPTION	QTY.
1/4" Lock Washers	6
1/4" Flat Washers	6
1/4-20 x 3/4" Hex Head Bolts	6
1/4-20 x 2-1/4" Black Oxide Bolt	1
1/4-20 Blind Fasteners	6
Blind Fastener Installation Tool	1

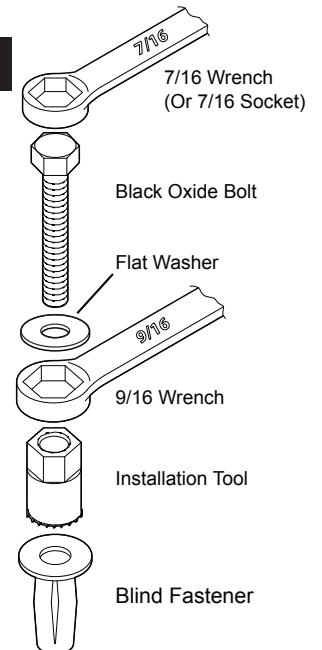
### CAUTION

Be safe - always wear protective eye-wear to keep debris out of your eyes when installing WEATHER GUARD® Van Products.



### INSTALLING BLIND FASTENERS

Place a drop of oil on the black oxide bolt before assembling as shown on right. Place the Blind Fastener in the hole and use a 7/16 wrench to tighten black hex bolt until the Blind Fastener is fully seated. When setting black hex bolt, it will start out hard. As the Blind Fastener "bulbs" out it will get easier, until it bottoms out or sets. Make sure the Blind Fastener and Installation Tool do not turn during installation.



### WARNING

Prior to drilling, check under vehicle for fuel tanks, fuel lines, brake lines, electric wires, etc. to avoid cutting or puncturing them. Do not use Blind Fasteners in these areas.

### INSTALLATION STEPS

**STEP 1.** If rear doors have inner trim panels, remove them to find the best location to bolt. This will help locate hidden wires so you don't cut them when drilling.

**STEP 2.** Position Door Tray on door and make sure at least four of the six holes can be used for fastening to the door. If six holes cannot be used, drill new holes in the panel. Mark holes and drill with a 3/8" drill bit. Install Blind Fastener, see instructions for installation.

 **DANGER**

Danger of explosion. Do not use this product for storing or transporting flammables, explosives, hazardous materials, or hazardous waste, such as containers of gasoline, solvents, gun powder, dynamite, propane tanks, acetylene tanks and cutting torches. Failure to heed this warning will result in death or serious injury.

 **WARNING**

This product is only intended and safe for use in storing and transporting small tools, equipment and other similar materials. These instructions are to be followed using the parts and fasteners supplied for proper installation. Any modifications or improper installation of this product will create a hazardous condition that could result in death, serious personal injury and/or property damage.

All floor mounting bolts near the fuel tank area should be installed from the underside of the vehicle, to guard against the fuel tank being punctured in the event of a collision. This would mean not using Blind Fasteners in this area. Holes in this area should be 5/16". Ensure ample space in roof ribs and sidewall ribs for mounting screws so as not to puncture exterior roof or wall.

Do not install this product where it could interfere with deployment of air bags. Failure to comply could result in death or serious body injury.

**– NOTICE –**

Any modification or unintended use of this product shall immediately void all manufacturers warranties. Manufacturer disclaims all liability for injuries to persons or property resulting from any modification to, or unintended use of this product.

