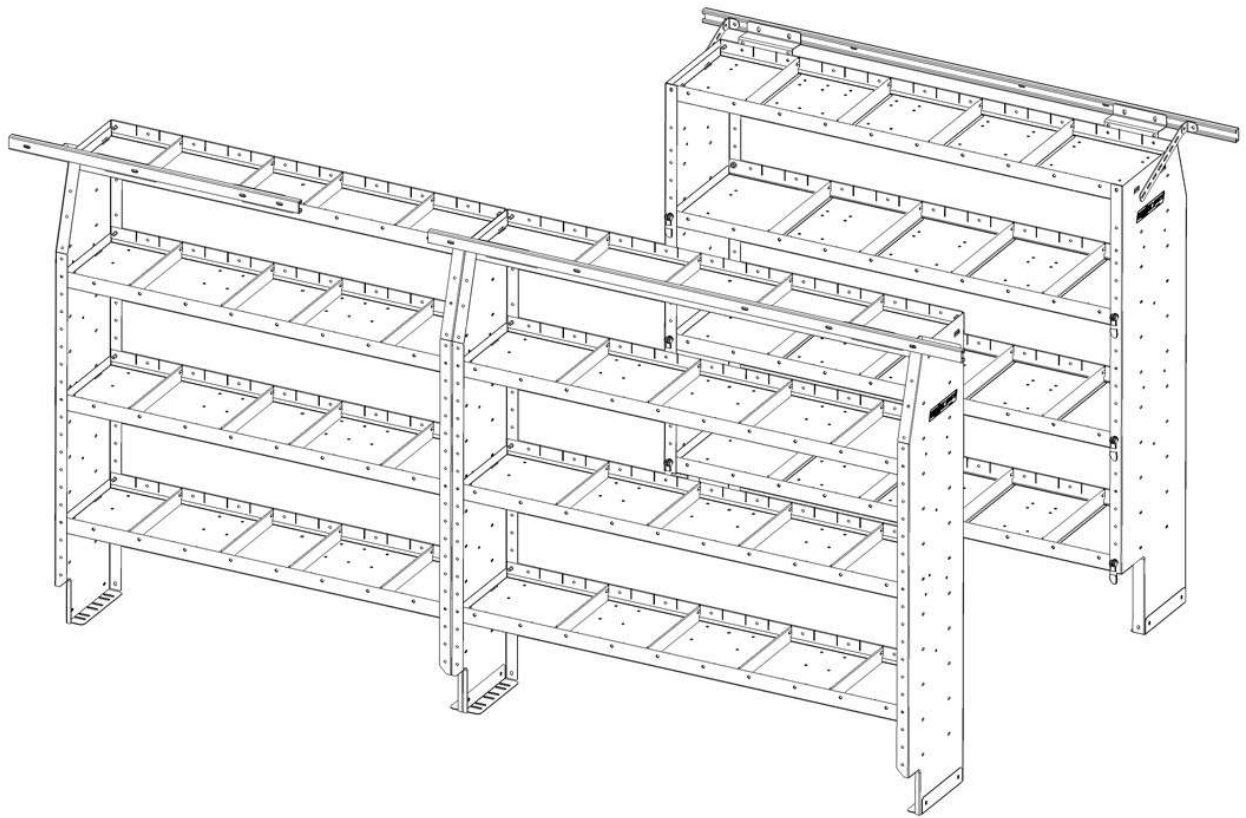




**VAN STORAGE SOLUTIONS**  
FOR THE WAY YOU WORK™

# INSTALLATION INSTRUCTIONS for RAM PROMASTER SHELVING MOUNTING KIT



**ATTENTION: PLEASE READ AND UNDERSTAND ALL INSTRUCTIONS AND WARNINGS  
BEFORE ASSEMBLING, INSTALLING OR USING THIS PRODUCT.**



## PLAN YOUR VAN (TIPS FOR FASTER INSTALLATION)

- Follow these instructions to install your WEATHER GUARD® van shelving inside a RAM Promaster van.
- Using these mounting brackets you will be able to install the van shelving using pre-existing and drilled mounting holes.
- Take into consideration any REDZONE end panel mounting accessories to be used and the desired location. The shelves can be easily adjusted.
- Before drilling for the blind fasteners, check for electrical wiring and air-bag system components.

## HARDWARE KIT

| Description                     | Quantity |
|---------------------------------|----------|
| Mounting Plate                  | 22       |
| 1/4"-20 x 3/4" Bolt             | 18       |
| 5/16"-18 x 1" Carriage Bolt     | 22       |
| 1/4"-20 Nylon Lock Nut          | 18       |
| 5/16"-18 Nylon Lock Nut         | 22       |
| 1/4" Washer                     | 18       |
| Blind Fastener Install Tool     | 1        |
| 5/16" Washer                    | 36       |
| Cap Rect. Red 3/4x1-5/8x1       | 6        |
| M8-1.25 x 35mm Socket Cap Screw | 14       |
| M8-1.25 Blind Fastener          | 14       |
| M8-1.25 x 55mm Bolt             | 1        |

## TOOLS REQUIRED

|                  |                |
|------------------|----------------|
| 5mm Allen Wrench | Electric drill |
| 7/16" Socket     | Punch          |
| 7/16" Wrench     | Hammer         |
| 1/2" Socket      | 1/4" drill bit |
| 1/2" Wrench      | 3/8" drill bit |
| 9/16" Wrench     | 1/2" drill bit |
| Level            | Torque wrench  |
| Marker           | 1" hole saw    |

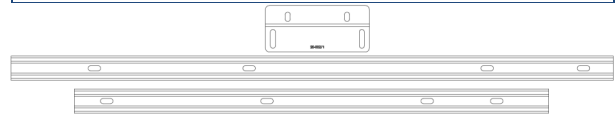
## CAUTION

Be safe—always wear protective eyewear to keep debris out of your eyes when installing WEATHER GUARD® van products.

## PARTS LIST

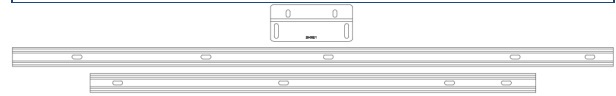
### 975201-3-01 118" WB Promaster

| Description                     | Quantity |
|---------------------------------|----------|
| Bracket (common)                | 6        |
| Rear Mounting Channel (40.625") | 2        |
| Front Mounting Channel (32")    | 1        |



### 975202-3-01 136" WB Promaster

| Description                    | Quantity |
|--------------------------------|----------|
| Bracket (common)               | 6        |
| Rear Mounting Channel (51.25") | 2        |
| Front Mounting Channel (38")   | 1        |



### 975203-3-01 159" WB Promaster

| Description                  | Quantity |
|------------------------------|----------|
| Bracket (common)             | 6        |
| Rear Mounting Channel (70")  | 2        |
| Front Mounting Channel (38") | 1        |



### 975204-3-01 159" EXT WB Promaster

| Description                  | Quantity |
|------------------------------|----------|
| Bracket (common)             | 9        |
| Rear Mounting Channel (86")  | 2        |
| Front Mounting Channel (38") | 1        |

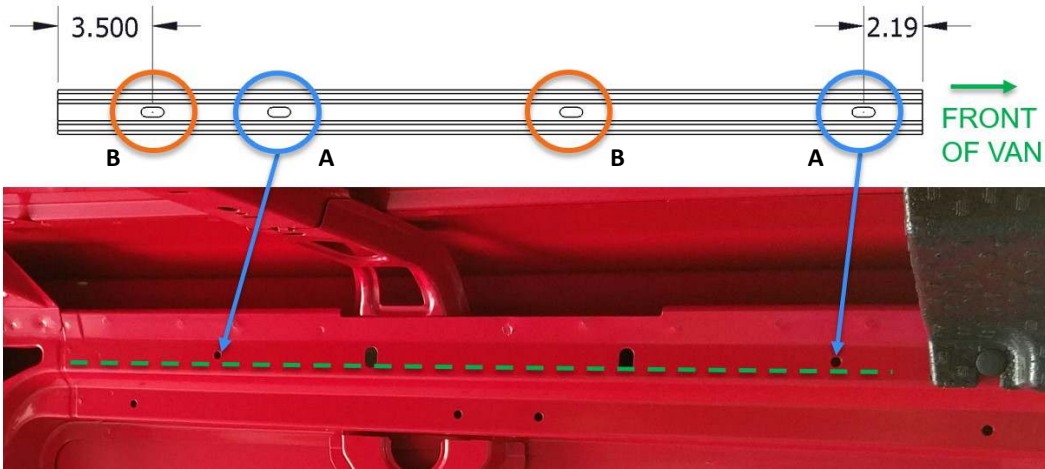


\* Images not to scale.

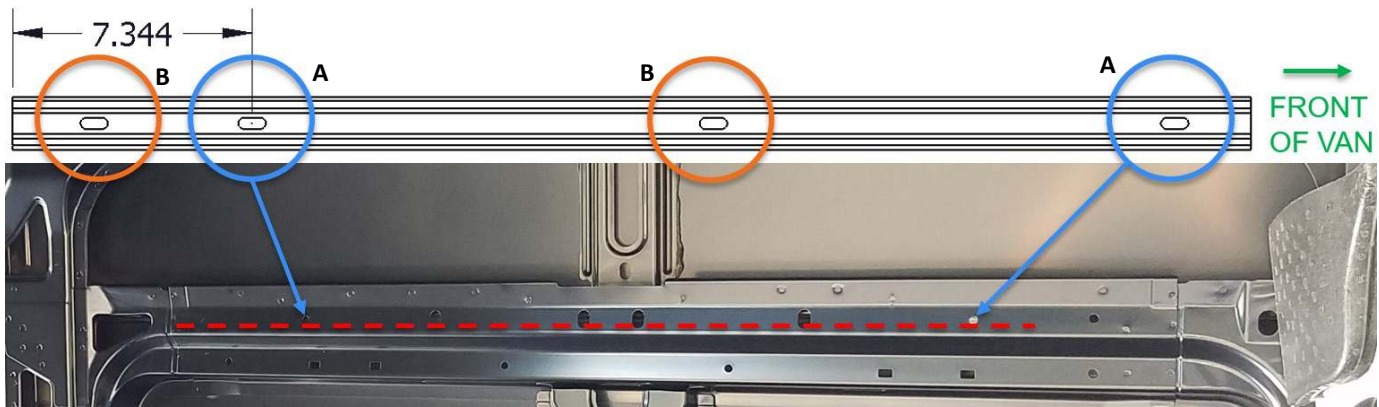
## MOUNTING KIT ASSEMBLY AND INSTALLATION INSTRUCTIONS

- The mounting channels will bolt to the upper inside wall of the van using blind fasteners.
- Front mounting channel (driver side) is common across the 136", 159", & 159"EXT Promaster models. The 118" Promaster front channel is shorter and has different slot locations.
- Rear mounting channels install similarly but have different lengths and slot locations.
- The Weather Guard Van Installation Kit is compatible with OEM interior trim kit.

### STEP 1. Mount Front (driver side) channel



**118" Wheelbase Front Channel**



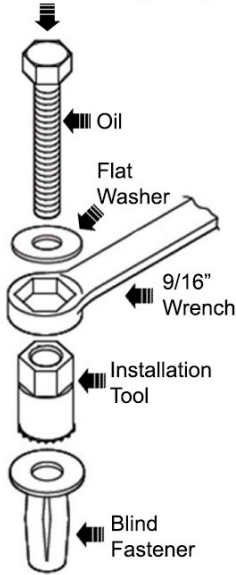
**136", 159", & 159"EXT Wheelbase Front Channel**

- Position the mounting channel to align **A** slots with the existing holes in the upper inside wall of the van (dimensions for reference only, shown for orientation).
- With the channel aligned to the existing holes, mark the van wall where the remaining **B** slots hit.
- Drill 1/4" pilot holes at the marked locations.
- Drill pilot holes out to 1/2"
- Install an M8 blind fastener in each of the drilled holes as well as in each of the existing holes (4 total blind fasteners) following the procedure shown on the next page.
- Using M8 bolts and washers, attach the mounting channel to the van wall with a 5 mm hex wrench.
- Tighten the bolts to 20 ft-lbs.

## MOUNTING KIT ASSEMBLY AND INSTALLATION INSTRUCTIONS

### INSTALLATION PROCEDURE USING BLIND FASTENERS

Use 13mm socket (M8)  
or 7/16" socket (1/4-20)



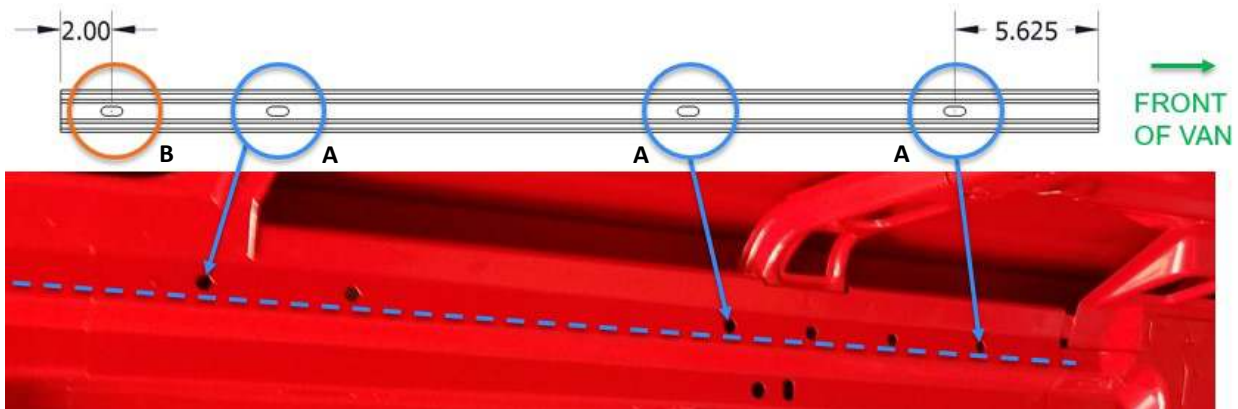
Place a drop of oil on the M8-1.25 x 55mm or 1/4-20 x bolt before assembling as shown on left.

Place the Blind Fastener in the hole and use a 13mm when installing M8 Blind Fastener or 7/16" socket when installing 1/4-20 Blind Fastener and driver to tighten the bolt until the Blind Fastener is fully seated.

When setting the bolt, it will start out tight. As the Blind Fastener "bulbs" out it will get easier, until it bottoms out of sets.

Make sure the Blind Fastener and the installation tool do not slip during the installation.

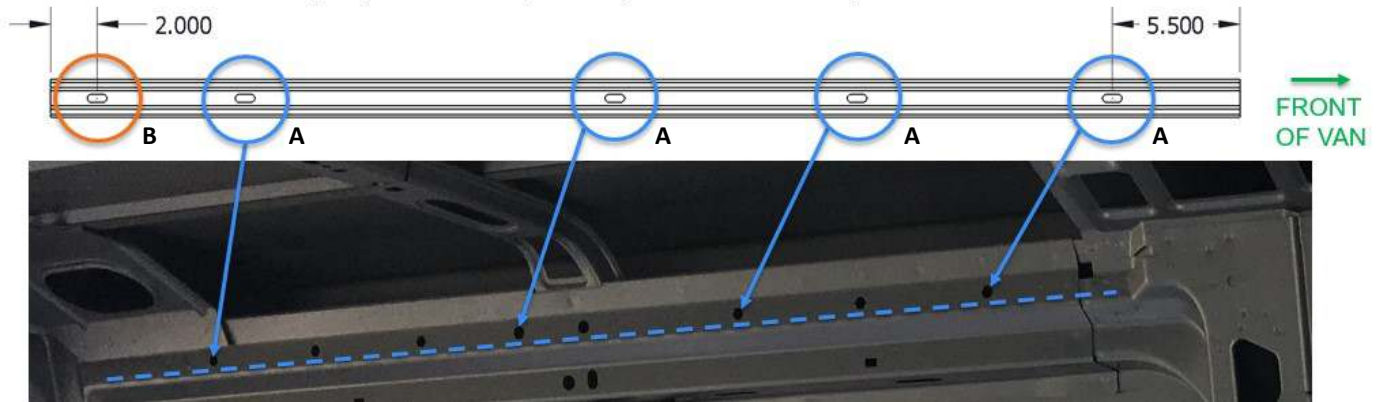
#### STEP 2a. Mount Rear Channels for 118" wheelbase.



- Position the rear driver side mounting channel to align **A** slots with the existing holes in the upper inside wall of the van (dimensions for reference only, shown for orientation). Take note of, or mark, the van holes that line up with the channel slots.
- With the channel aligned to the existing holes, mark the van wall where the remaining **B** slot hits.
- Drill 1/4" pilot hole at the marked location.
- Drill pilot hole out to 1/2".
- Install an M8 blind fastener in the drilled hole as well as in each of the noted or marked existing holes (4 total blind fasteners) following the procedure shown above.
- Using M8 bolts and washers, attach the mounting channel to the van wall with a 5 mm hex wrench.
- Tighten the bolts to 20 ft-lbs.
- Repeat this process on the passenger side, noting that it will be a mirror of the image above (front of van will be to the left as will the 5.625 channel slot location).

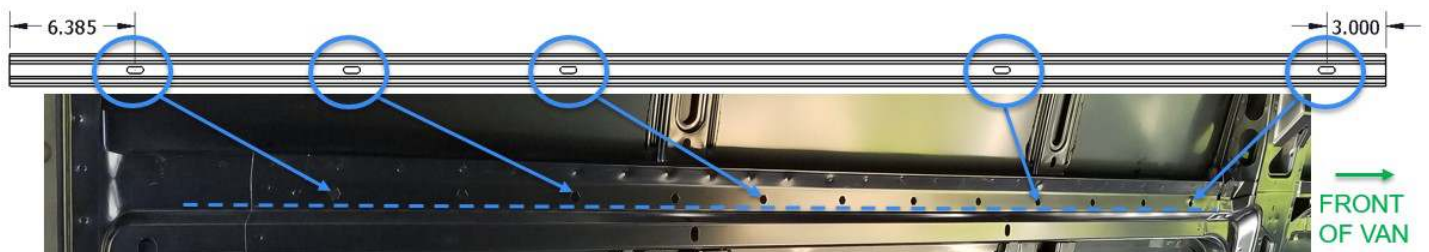
## MOUNTING KIT ASSEMBLY AND INSTALLATION INSTRUCTIONS

### STEP 2b. Mount Rear Channels for 136" wheelbase.



- Position the rear driver side mounting channel to align **A** slots with the existing holes in the upper inside wall of the van (dimensions for reference only, shown for orientation). Take note of, or mark, the van holes that line up with the channel slots.
- With the channel aligned to the existing holes, mark the van wall where the remaining **B** slot hits.
- Drill 1/4" pilot hole at the marked location.
- Drill pilot hole out to 1/2".
- Install an M8 blind fastener in the drilled hole as well as in each of the noted or marked existing holes (5 total blind fasteners) following the procedure shown on the previous page.
- Using M8 bolts and washers, attach the mounting channel to the van wall with a 5 mm hex wrench.
- Tighten the bolts to 20 ft-lbs.
- Repeat this process on the passenger side, noting that it will be a mirror of the image above (front of van will be to the left as will the 5.500 channel slot location).

### STEP 2c. Mount Rear Channels for 159" wheelbase.

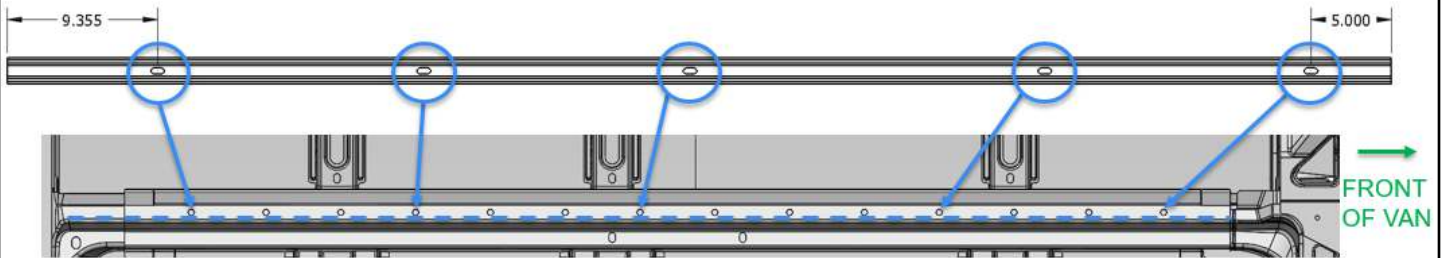


- Position the rear driver side mounting channel to align slots with the existing holes in the upper inside wall of the van (dimensions for reference only, shown for orientation). Take note of, or mark, the van holes that line up with the channel slots.
- Install an M8 blind fastener in each of the noted or marked existing holes (5 total blind fasteners) following the procedure shown on the previous page.
- Using M8 bolts and washers, attach the mounting channel to the van wall with a 5 mm hex wrench.
- Tighten the bolts to 20 ft-lbs.
- Repeat this process on the passenger side, noting that it will be a mirror of the image above (front of van will be to the left as will the 3.000 channel slot location).



## MOUNTING KIT ASSEMBLY AND INSTALLATION INSTRUCTIONS

### STEP 2d. Mount Rear Channels for 159" EXT wheelbase.



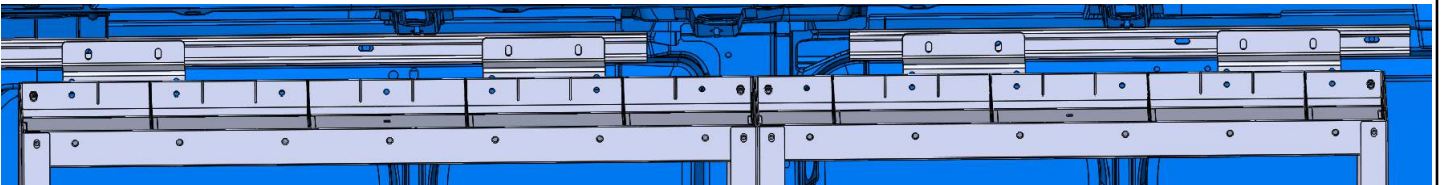
- Position the rear driver side mounting channel to align slots with the existing holes in the upper inside wall of the van (dimensions for reference only, shown for orientation). Take note of, or mark, the van holes that line up with the channel slots.
- Install an M8 blind fastener in each of the noted or marked existing holes (5 total blind fasteners) following the procedure shown on page 4.
- Using M8 bolts and washers, attach the mounting channel to the van wall with a 5 mm hex wrench.
- Tighten the bolts to 20 ft-lbs.
- Repeat this process on the passenger side, noting that it will be a mirror of the image above (front of van will be to the left as will the 5.000 channel slot location).

### STEP 3. Position pre-assembled (minus mounting feet) shelving inside the van. Plan out positioning of the shelves and accessories relative to bulkhead and wheel well.



**STEP 4.** Two shelf units next to each other on driver side should be bolted together through the end panels using 1/4-20x3/4" bolts, washers, and nylon lock nuts.

**STEP 5.** Assemble two mounting brackets to the back of the top shelf lip on the farthest-out positions that still keep the bracket holes within the channels (see below—118" wheelbase shown) using two 1/4-20 x 3/4" bolts, washers, and nylon lock nuts. Do not torque them down at this point.

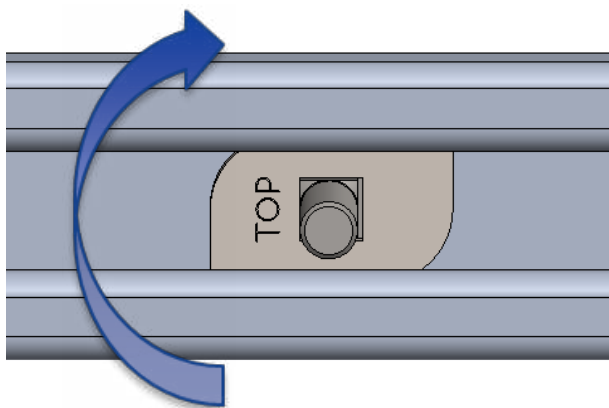


## MOUNTING KIT ASSEMBLY AND INSTALLATION INSTRUCTIONS

- STEP 6.** Position the carriage bolt plate such that you can read the word "TOP" and insert 5/16-18 carriage bolt from the bottom of the plate. Note: using a piece of masking tape (or equivalent) on back of the plate to lightly hold the carriage bolt to the plate may allow easier installation. You will need four plates per shelving unit plus two for each side (driver/passenger) for the end straps.



- STEP 7.** Insert the carriage bolt/plate assemblies through the mounting channel and rotate 90 degrees clockwise. Ten will be used on driver side and six will be used on passenger side when installing standard configuration of two and one shelving for driver side and passenger side, respectively. Note: 159" EXT Vans use three shelves on the driver side, thus, will require 14 carriage bolts/plates on driver side.

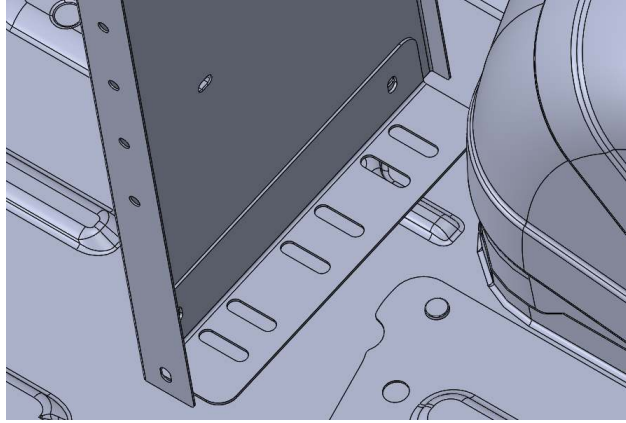


- STEP 8.** Position the shelves and carriage bolts/plates in desired location and fasten the shelves to the carriage bolt/plate using 5/16-18 nylon lock nuts and washers using 1/2" socket. Fine tune the position and alignment of the shelves in desired location. Torque them down to 13 ft-lbs.



## MOUNTING KIT ASSEMBLY AND INSTALLATION INSTRUCTIONS

- **STEP 9.** Place the mounting foot to the inside of the end panel and mark drilling points. Use a spacer when mounting on uneven surface as shown below. Use a 1" hole saw if the van is equipped with floor mats. Use a 1/4" drill bit for pilot and 3/8" drill for 1/4-20 blind fasteners. Install 1/4-20 blind fasteners on the floor. Refer to blind fastener instruction on page 4. **Always be sure to make sure you won't be damaging wiring, gas lines, or other critical vehicle systems when drilling.**



- **STEP 10.** Slip the mounting foot from the other side of the end panel and install using 1/4-20 x 3/4" bolts, washers, and nylon lock nuts. Install to floor blind fasteners using 1/4-20 x 1-1/2" bolts. Repeat steps 9 and 10 until all mounting feet are installed. Note that you only need to use one mounting foot where the driver side shelves join.



- **STEP 11.** Torque down the 1/4-20 x 3/4" bolts, washers, and nylon lock nuts installed in **STEP 5** to 76 in-lbs.



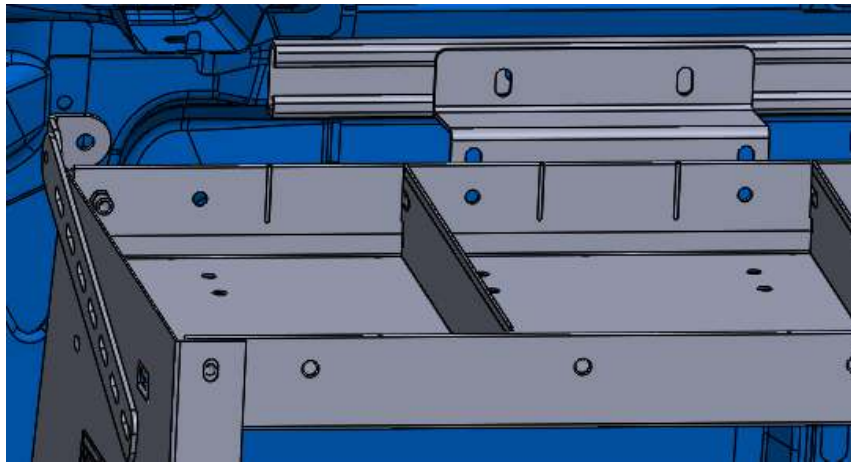


## MOUNTING KIT ASSEMBLY AND INSTALLATION INSTRUCTIONS

- STEP 12.** Loosely assemble L-bracket for the end straps to the carriage bolt/plate assembled in **STEP 6**. Use washer and 5/16-18 nylon lock nut using 1/2" socket. The face of the L-bracket that is perpendicular to the mounting channel may face front or rear of the van depending on the shelf size and configuration.



**Note:** In some cases, the L-bracket may not reach the channel and will need to be secured directly to the van wall using a blind fastener instead—namely the front passenger side end strap on a 118" wheelbase (shown below).



- STEP 13.** Install the end strap to the L-bracket using 1/4-20 x 3/4" bolt, washer, and nylon lock nut using 7/16" wrench and socket. Position the strap such that it is inline with the end panel. Align the end strap to one of the holes on the end panel and secure it using 1/4-20 x 3/4" bolt, washer, and nylon lock nut. Make sure all components are aligned and tighten.



- STEP 14.** Make sure all shelves are aligned and make sure all bolts and nuts are properly torqued to spec. use 76 in-lbs for 1/4-20 hardware and 13 ft-lbs for 5/16-18 hardware.