



VAN STORAGE SOLUTIONS

FOR THE WAY YOU WORK™

INSTALLATION MANUAL

Shelf Support Legs

ATTENTION: PLEASE READ AND UNDERSTAND ALL INSTRUCTIONS AND WARNINGS BEFORE ASSEMBLING, INSTALLING OR USING THIS PRODUCT.

PLAN YOUR VAN (TIPS FOR FASTER INSTALLATION)

- Plus nuts speed up installation but make sure that you're in a safe location before drilling so you don't puncture fuel tanks, lines, or a cable harness. Allow 2" clearance from the end of fasteners to the outside edge of a fuel tank.
- If installing doors on these units, the support leg will need to be installed on the rear side of the shelf.
- Try to select a hole that is on top of a floor rib.
- One Blind Fastener and one 1/4" Lock Washer have been provided for use in areas where standard fasteners can't be used, such as heat shields and support channels. In that case, redrill using a 13/32" dia. hole.

CAUTION

Be safe - always wear protective eyewear to keep debris out of your eyes when installing WEATHER GUARD® Van Products.

BOLT KIT

DESCRIPTION	QTY.
1/4-20 x 3/4" Hex Hd. Bolt	8
1/4-20 x 1-1/4" Hex Hd. Bolt	2
1/4" Flat Washers	10
1/4-20 Nylon Lock Nuts	10
Touch-up Paint	1
1/4-20 Blind Fastener	1
Installation Tool	1
1/4-20 x 2-1/4 Hex Hd. Bolt Black Oxide	1
1/4" Lock Washer	1

INSTALLATION TIME

Approximate installation time: 18 minutes per unit depending on van equipment installation experience.

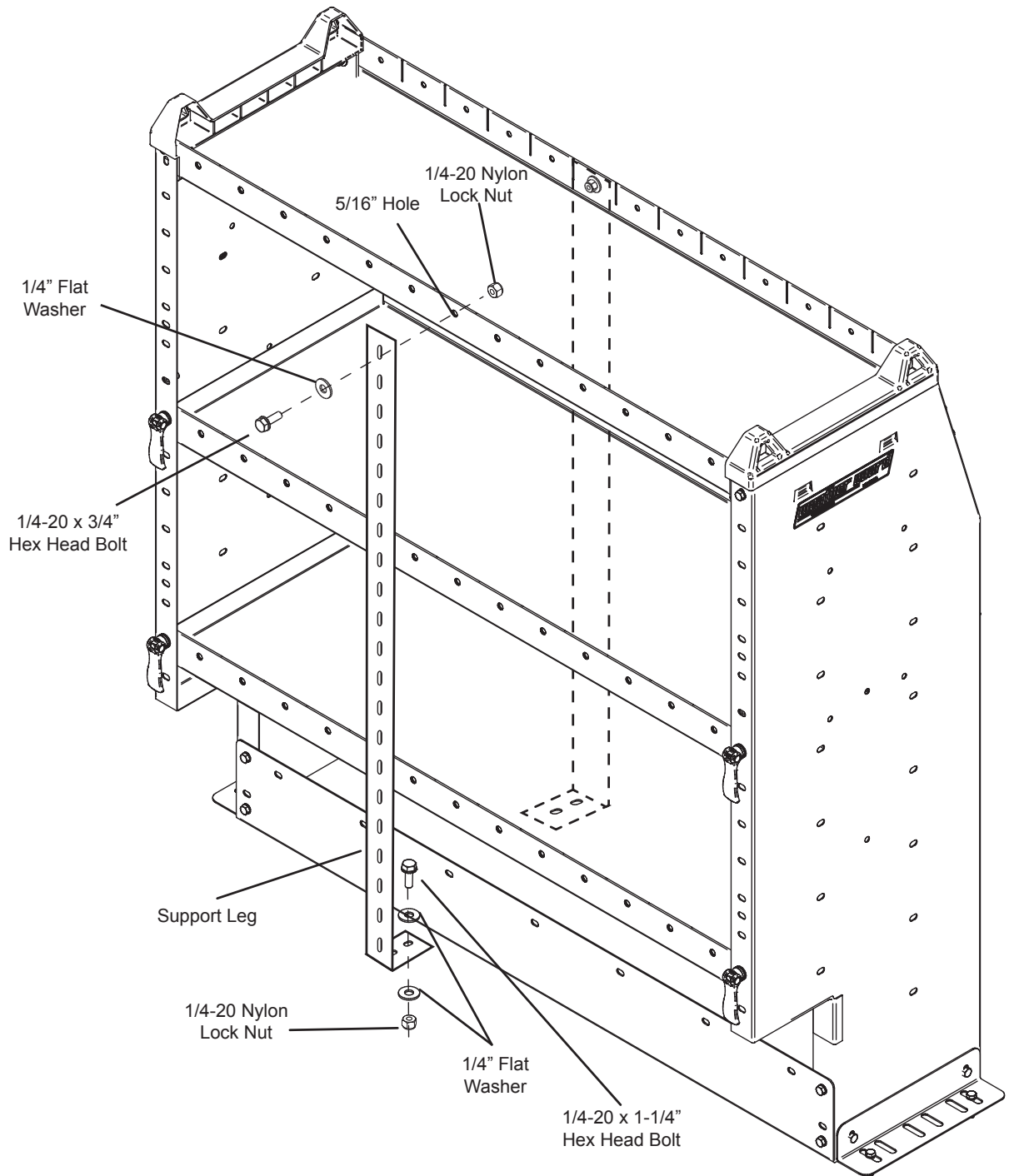
TOOLS REQUIRED

- 7/16" open or box end wrench (2)
- 9/16" open or box end wrench
- Electric drill
- 5/16" dia. Drill Bit
- 13/32" dia. Drill Bit
- File

PART LIST

- 2 - Support Legs

INSTALLATION INSTRUCTIONS



STEP 1. Fasten the support legs.

STEP 2. Place the unit in the vehicle. Mark through one hole in each support leg to the vehicle floor.

STEP 3. Drill the holes in the floor. Replace the unit in the vehicle and fasten the support leg and van shelf unit, as installation instructions call for.

 **WARNING**

All floor mounting bolts near the fuel tank area should be installed from the underside of the vehicle, to guard against the fuel tank being punctured in the event of a collision. This would mean not using Blind Fasteners in this area. Holes in this area should be 5/16". Ensure ample space in roof ribs and sidewall ribs for mounting screws so as not to puncture exterior roof or wall.

Do not install this product where it could interfere with deployment of air bags. Failure to comply could result in death or serious body injury.

 **CAUTION**

Prior to drilling, so as not to cut electric wires, fuel lines, brake lines, etc., check behind and underneath drilling and mounting locations. To keep debris out of your eyes when checking the underside of the vehicle, or when drilling, always wear protective eyewear. Failure to heed this warning will result in death or serious injury.

– NOTICE –

Any modification or unintended use of this product shall immediately void all manufacturers warranties. Manufacturer disclaims all liability for injuries to persons or property resulting from any modification to, or unintended use of this product.

