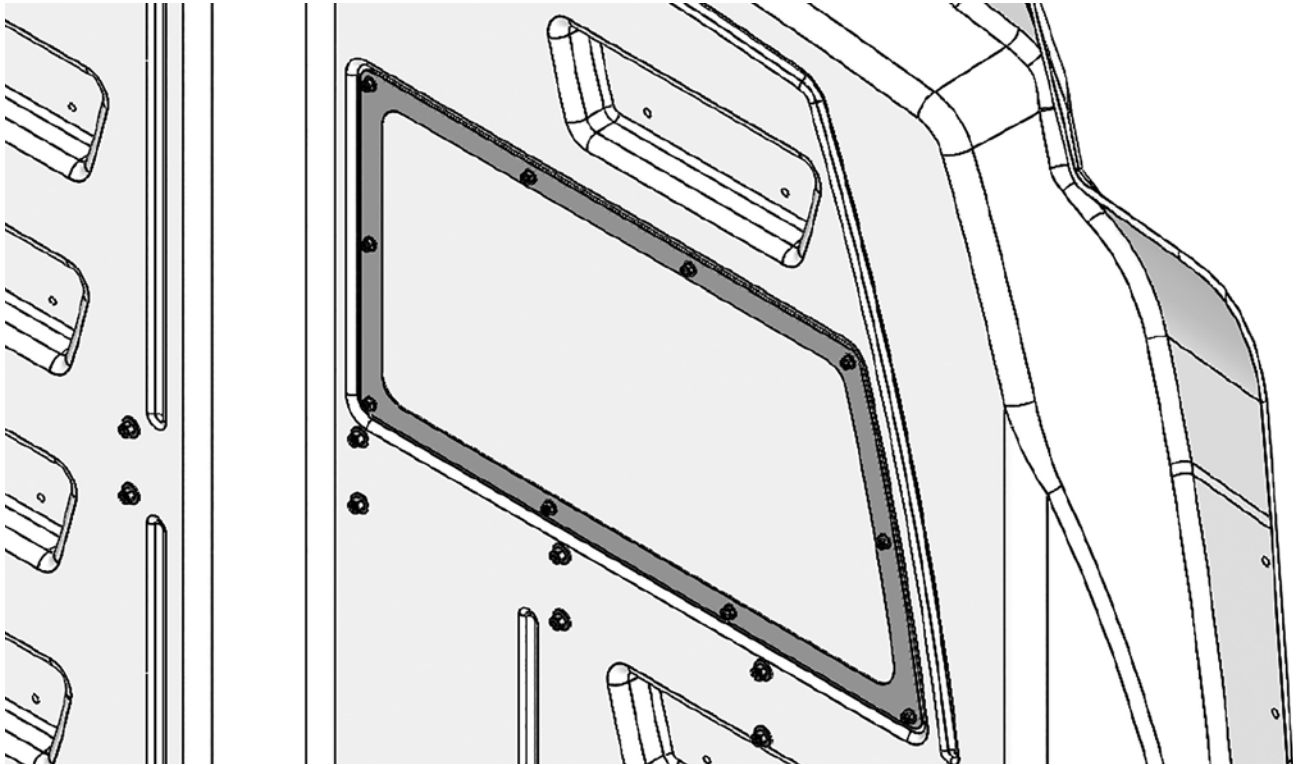




VAN STORAGE SOLUTIONS
FOR THE WAY YOU WORK™

CAB/MAX™
COMPOSITE BULKHEAD

**INSTALLATION INSTRUCTIONS for
WINDOW ACCESSORY FOR
COMPOSITE BULKHEADS**



MODEL 96906-3-01

ATTENTION: PLEASE READ AND UNDERSTAND ALL INSTRUCTIONS AND WARNINGS BEFORE ASSEMBLING, INSTALLING OR USING THIS PRODUCT.

INSTALLATION GUIDELINES

- Installing your WEATHER GUARD® Window Accessory to your Composite Bulkhead is very clear cut following these instructions.
- Always wear protective eyewear to keep debris out of your eyes when installing WEATHER GUARD® Van Products.
- Tighten all #10-24 hardware to 23 in-lb when ready.
- **This product is designed and intended for use on all WEATHER GUARD® Full Size Composite Bulkheads.**

OPERATION GUIDELINES

- Any modifications made to this product, or use of this product for any other purpose than its intended use, could create a hazardous condition that can cause serious personal injury or property damage.
- **At the end of the first week of use, check all of the fasteners for proper tightness and then check every three months thereafter.**

HARDWARE KIT

DESCRIPTION	QTY
#10 Washer	12
#10-24 Screw	12
#10-24 Nylon Lock Nut	12

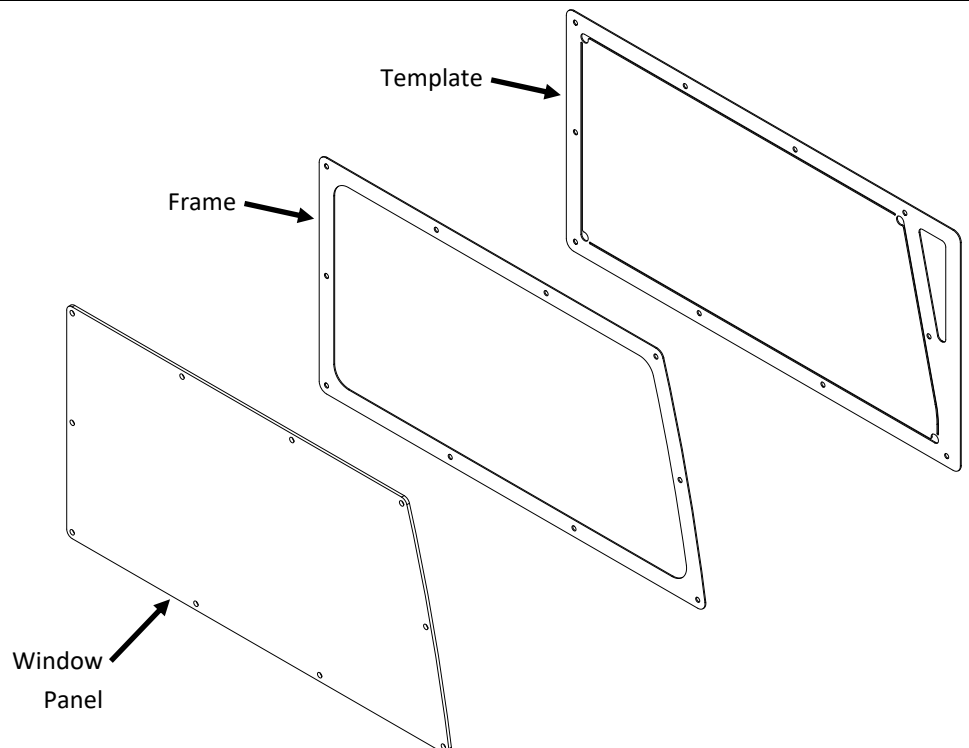
TOOLS REQUIRED

- Ratchet
- 3/8" Socket
- #2 Phillips Head Screwdriver
- Drill
- 1/4" Drill Bit
- 5/16" Drill Bit
- 1/2" Drill Bit
- Jigsaw
- 10 or less teeth per inch Jigsaw blade for cutting plastic
- Torque wrench

PARTS LIST

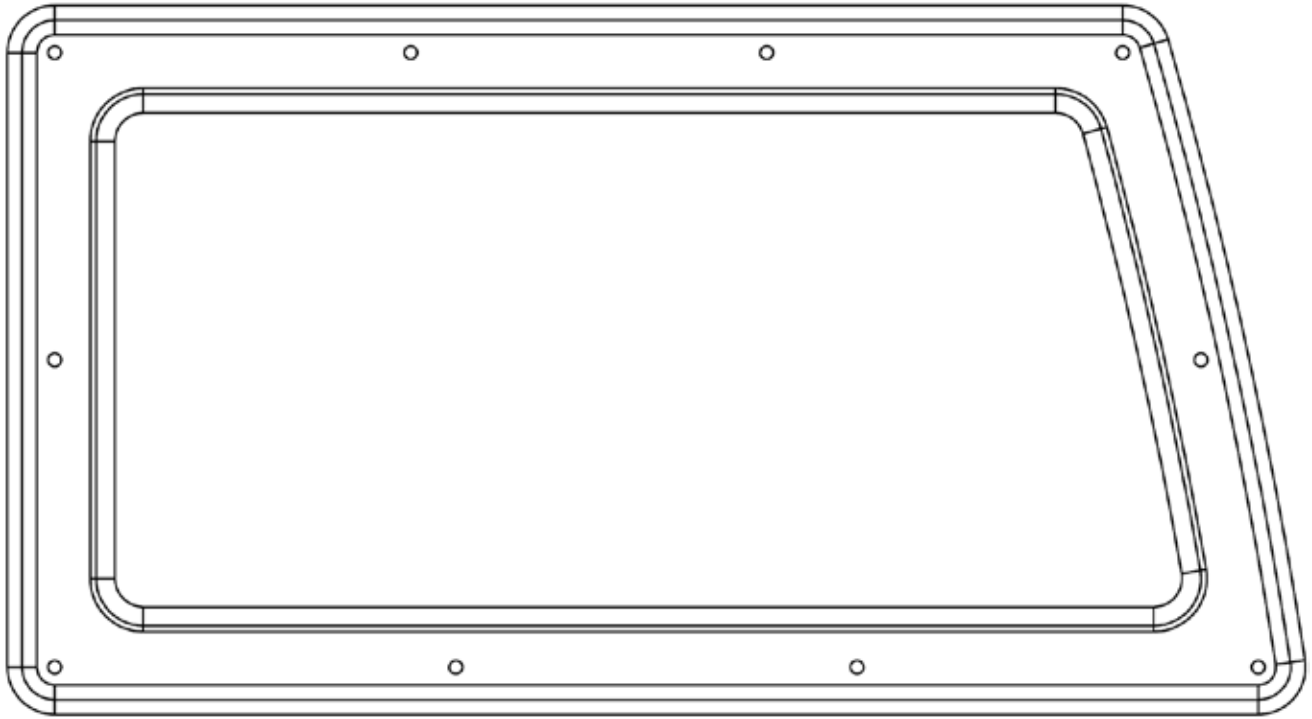
DESCRIPTION	QTY
Window Panel	1
Frame	2
Template*	1

*Sold Separately in Kit 70004R



BULKHEAD PREPARATION INSTRUCTIONS

STEP 1. Drill 1/4" holes in the bulkhead panel at the dimples around the rim of the window recess.



BULKHEAD PREPARATION USING TEMPLATE – Follow steps 2.1 through 6.1 if using the template for cutting.

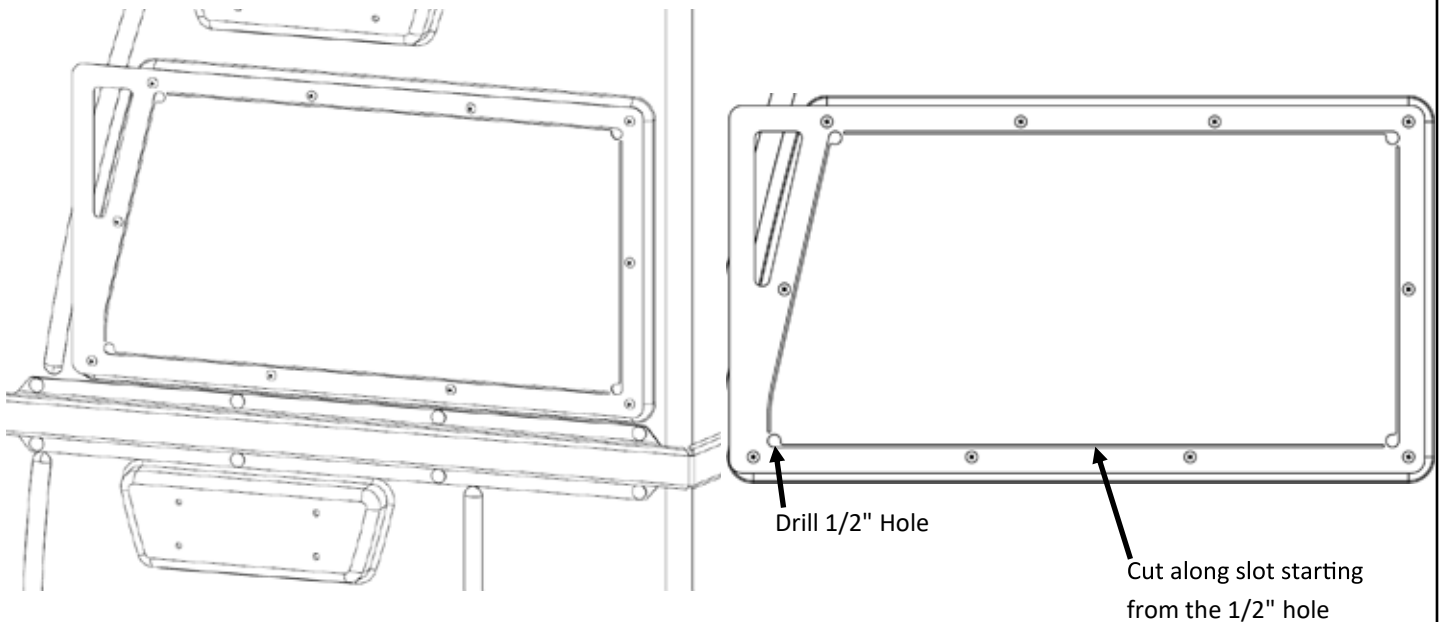
BULKHEAD PREPARATION WITHOUT TEMPLATE – Follow steps 2.2 through 6.2 if not using the template.

BULKHEAD PREPARATION USING TEMPLATE

STEP 2.1 Loosely, but snugly, install the template to the back/cab side of the bulkhead panel with #10-24 screws, washers, and nylon lock nuts.

STEP 3.1 Drill a 1/2" hole through each corner of the template.

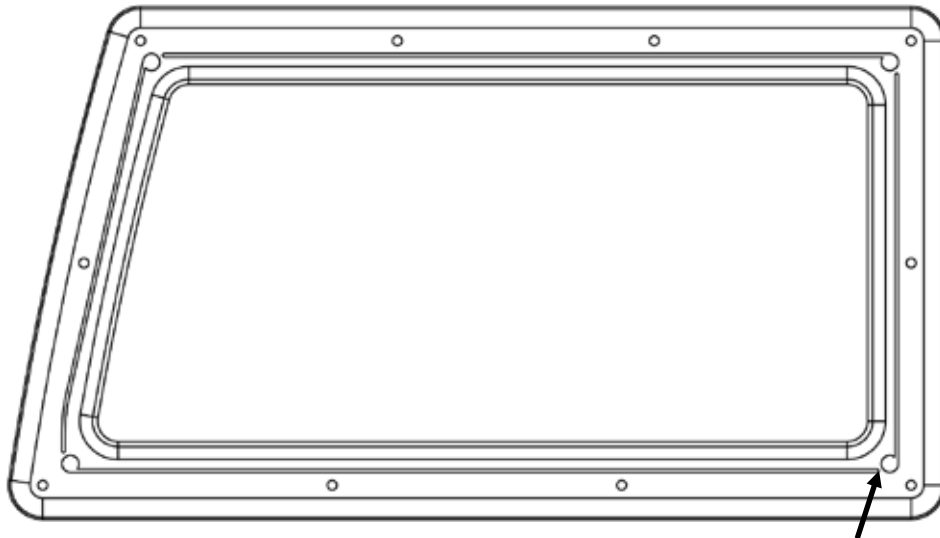
STEP 4.1 Using each 1/2" hole from Step 4 as a starting point, cut bulkhead panel along the slots in the template with a jigsaw.



BULKHEAD PREPARATION & WINDOW INSTALLATION INSTRUCTIONS

STEP 5.1 Remove the template, but hold on to the hardware for later use.

STEP 6.1 Use the jigsaw to connect the ends of the previous cuts to the nearest 1/2" hole. Discard the center section. Proceed to step 7.

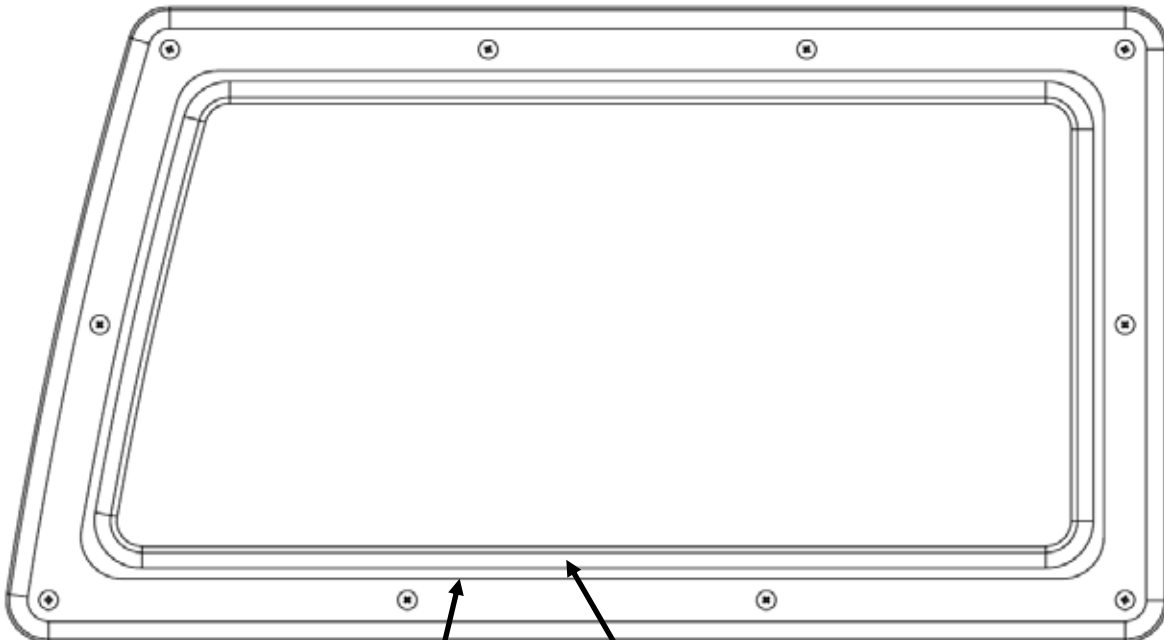


Continue each jigsaw cut until it meets the next hole

BULKHEAD PREPARATION WITHOUT TEMPLATE

STEP 2.2 Loosely, but snugly, install one of the frames to the back/cab side of the bulkhead panel with #10-24 screws, washers, and nylon lock nuts.

STEP 3.2 Trace the inside edge of the frame. Drill a 1/2" hole in the bulkhead panel somewhere within the cutout in the frame near the trace to use as a starting point later for cutting with the jigsaw.



Trace the inside edge of the frame on the bulkhead panel

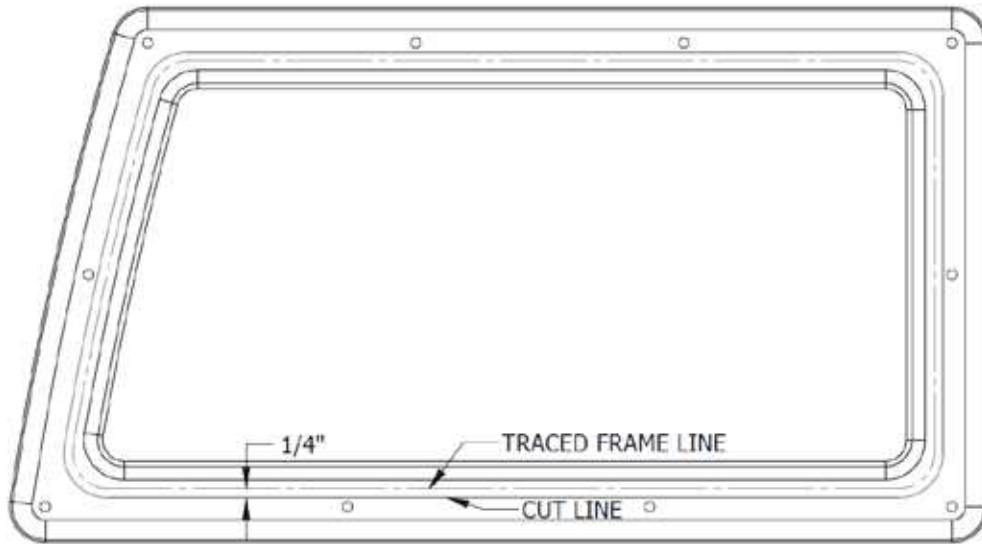
Drill 1/2" Hole

BULKHEAD PREPARATION & WINDOW INSTALLATION INSTRUCTIONS

STEP 4.2 Remove the frame, but hold on to the hardware for later use.

STEP 5.2 Draw a line offset 1/4" out from the trace from Step 3.2

STEP 6.2 Use the jigsaw to cut along the line drawn in Step 5.2 Discard the center section. Proceed to Step 7.



STEP 7. Use #10-24 screws, washers, and nylon lock nuts to attach the window panel and frames to the bulkhead panel. The window panel will sit within the recess (on the cargo side) of the bulkhead with a frame on the outside of the window panel sandwiching it against the bulkhead. The other frame will be on the embossed/cab side of the bulkhead. Tighten to 23 in-lbs.

