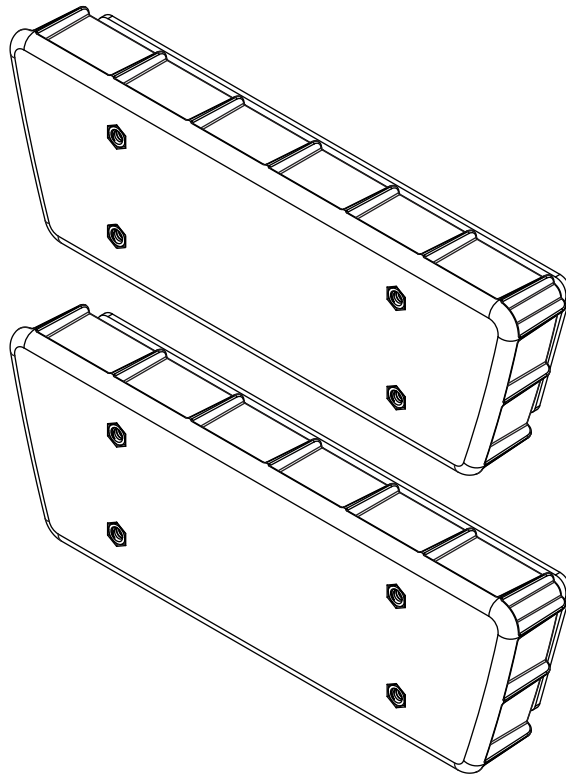




VAN STORAGE SOLUTIONS
FOR THE WAY YOU WORK™

CAB/MAX™
COMPOSITE BULKHEAD

**INSTALLATION INSTRUCTIONS for
ACCESSORY PANELS FOR
COMPOSITE BULKHEADS**



MODEL 96905-3-01

ATTENTION: PLEASE READ AND UNDERSTAND ALL INSTRUCTIONS AND WARNINGS BEFORE ASSEMBLING, INSTALLING OR USING THIS PRODUCT.

INSTALLATION GUIDELINES

- Installing your WEATHER GUARD® Accessory Panels to your Composite Bulkhead is very clear cut following these instructions.
- Before drilling the Bulkhead, verify that the panel location will fit your needs.
- Always wear protective eyewear to keep debris out of your eyes when installing WEATHER GUARD® Van Products.
- Tighten all 1/4" hardware to 76 in-lb when ready.
- **This product is designed and intended for use on all WEATHER GUARD® Full Size Composite Bulkheads.**

OPERATION GUIDELINES

- Any modifications made to this product, or use of this product for any other purpose than its intended use, could create a hazardous condition that can cause serious personal injury or property damage.
- **At the end of the first week of use, check all of the fasteners for proper tightness and then check every three months thereafter.**
- **Do not exceed 30 lbs of weight per panel.**

HARDWARE KIT

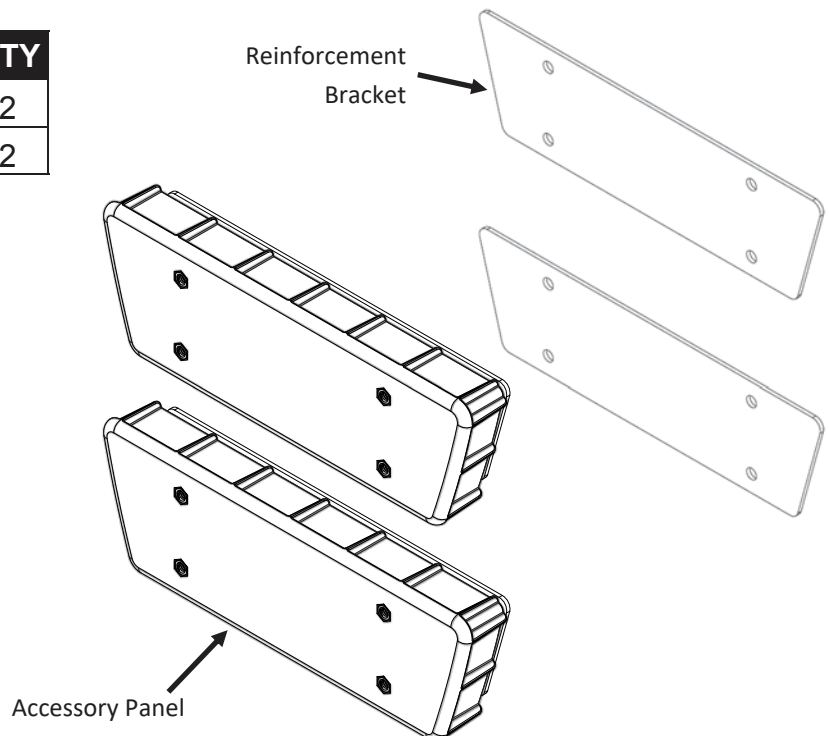
DESCRIPTION	QTY
1/4"-20 x 1" Screw	8
1/4" Washer	8

TOOLS REQUIRED

Ratchet
 7/16" Socket
 Drill
 5/16" Drill Bit
 Torque wrench

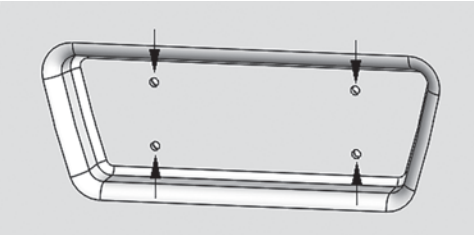
PARTS LIST

DESCRIPTION	QTY
Acc. Panel Reinforcement Bracket	2
Accessory Panel	2

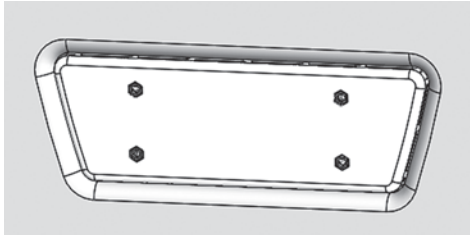


ACCESSORY PANEL INSTALLATION

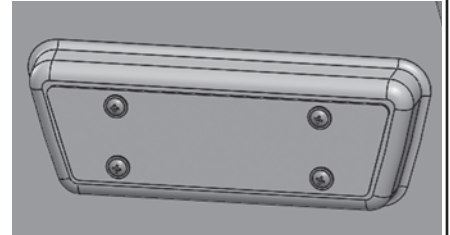
Accessory Panel Installation Method 1—Install in a Pocket on the Cargo Side



STEP 1.1 Using a 5/16" drill bit, drill holes at the 4 dimple locations within the desired pocket.

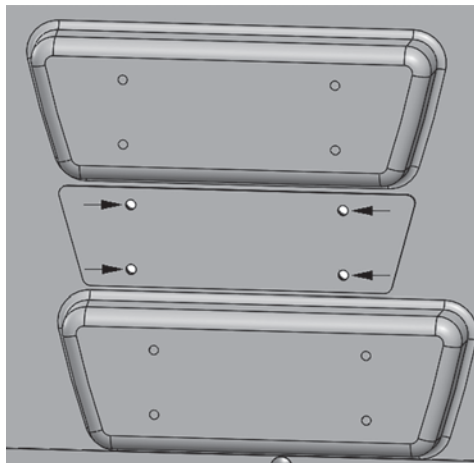


STEP 2.1 Place the Accessory Panel within the pocket.

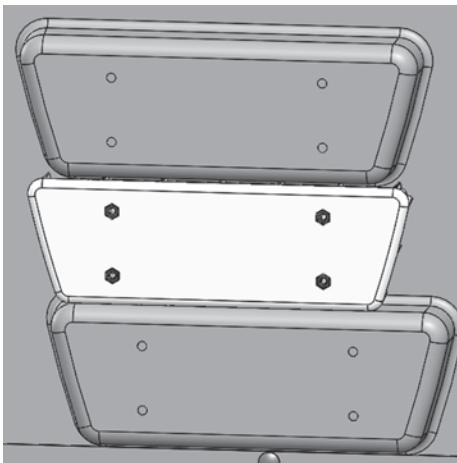


STEP 3.1 From the Cab Side, use (4) 1/4"-20 screws and washers through the Reinforcement Bracket to attach the Accessory Panel. Tighten to 76 in-lbs.

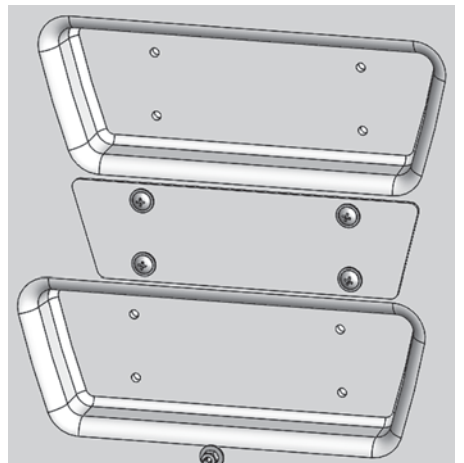
Accessory Panel Installation Method 2—Install between Pockets on the Cab Side



STEP 1.2 Using a 5/16" drill bit, use the Reinforcement Bracket as a template to drill 4 holes in the desired Panel location.



STEP 2.2 Place and hold the Accessory Panel in line with the drilled holes on the Cab Side.



STEP 3.2 From the Cargo Side, use (4) 1/4"-20 screws and washers through the Reinforcement Bracket to attach the Accessory Panel. Tighten to 76 in-lbs.

Accessory Mounting

STEP 4. Using the 1/4"-20 hardware provided with the Red Zone Accessory, attach the Red Zone Accessory to the front of the Accessory Panel.

If not using Red Zone Accessories then use 1/4-20 hardware with less than 3/4" of thread engagement.

