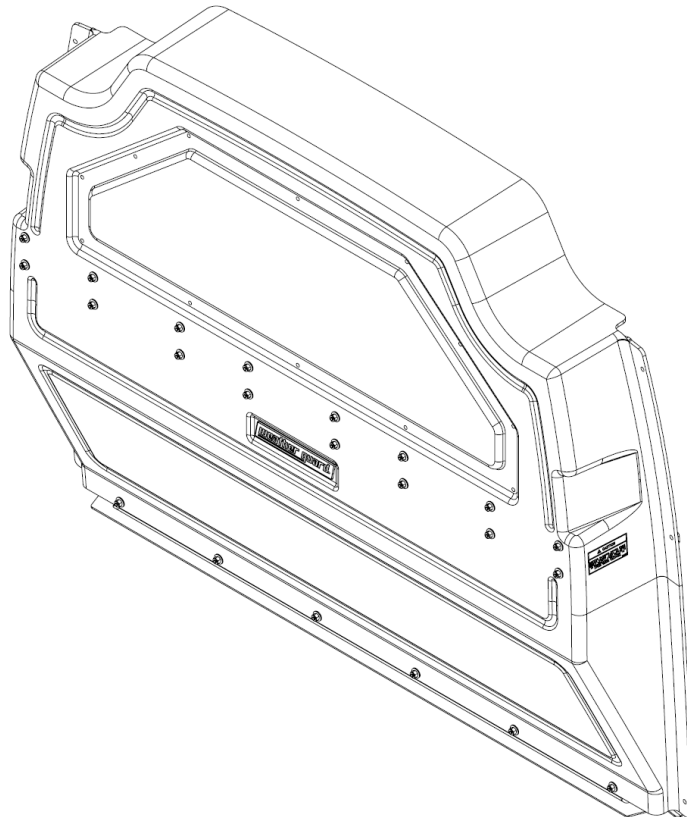




**VAN STORAGE SOLUTIONS**  
FOR THE WAY YOU WORK™

**CAB/MAX™**  
COMPOSITE BULKHEAD

**INSTALLATION INSTRUCTIONS for  
FORD TRANSIT CONNECT  
COMPOSITE BULKHEAD**



**MODEL 96501-3-01**

**ATTENTION: PLEASE READ AND UNDERSTAND ALL INSTRUCTIONS AND WARNINGS BEFORE ASSEMBLING, INSTALLING OR USING THIS PRODUCT.**

## INSTALLATION GUIDELINES

- Before cutting or drilling in the B-pillar, verify the location of the seat belt mechanism and electrical cables to prevent damaging vital components.
- Always wear protective eyewear to keep debris out of your eyes when installing WEATHER GUARD® Van Products.
- Tighten all M6 hardware to 76 in-lbs when ready.
- A Window Accessory (96907-3-01) is also available for this product. If installing this accessory, it is recommended that it be installed to the bulkhead before installing the bulkhead into the van.
- **This product is designed and intended for use on all wheelbases of 2014 and newer Ford Transit Connect vans.**

## OPERATION GUIDELINES

- Any modifications made to this product, or use of this product for any other purpose than its intended use, could create a hazardous condition that can cause serious personal injury or property damage.
- **At the end of the first week of use, check all of the fasteners for proper tightness and then check every three months thereafter.**

## HARDWARE KIT

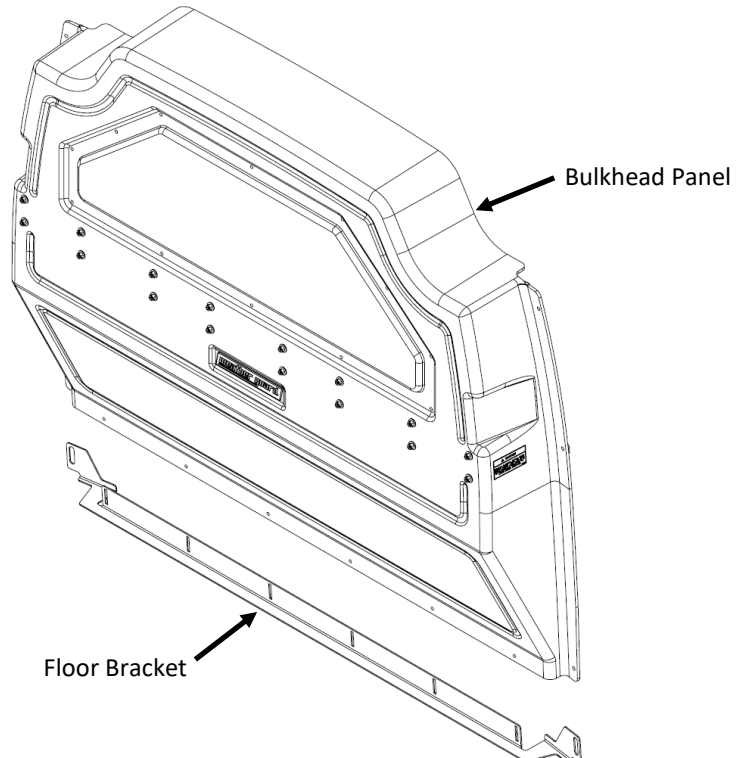
DESCRIPTION	QTY
M6-1.0 x 20mm Carriage Bolt	6
M6-1.0 Nylon Lock Nut	6
1/4"-20 x 1" Bolt	6
1/4" Washer	12

## TOOLS REQUIRED

Ratchet  
 10mm Socket  
 7/16" Socket  
 Socket Extension(s)  
 Drill  
 7/32" Drill Bit  
 5/16" Drill Bit  
 Torque wrench

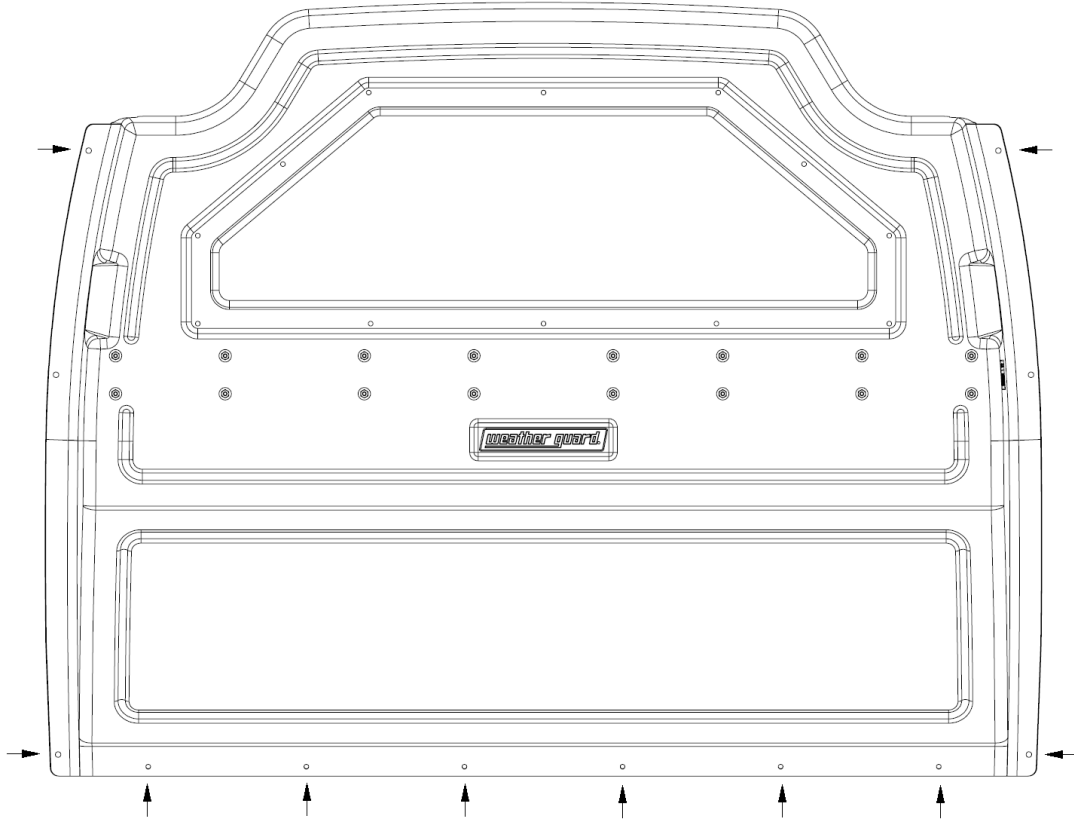
## PARTS LIST

DESCRIPTION	QTY
Floor Bracket	1
Bulkhead Panel	1

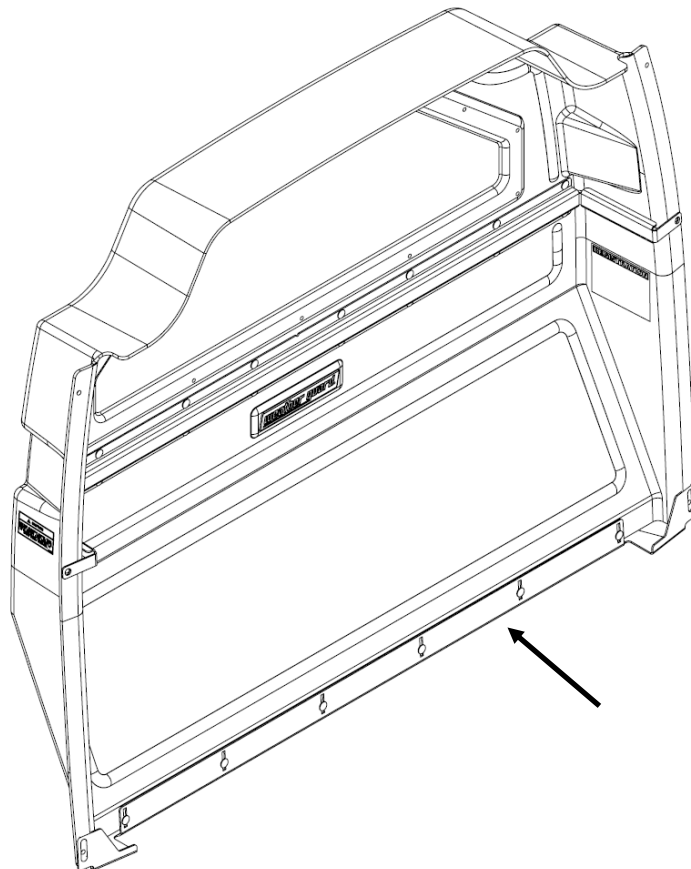


## BULKHEAD PREPARATION INSTRUCTIONS

**STEP 1.** Drill 5/16" holes in the bulkhead panel at the dimples along the sides and bottom of the panel.



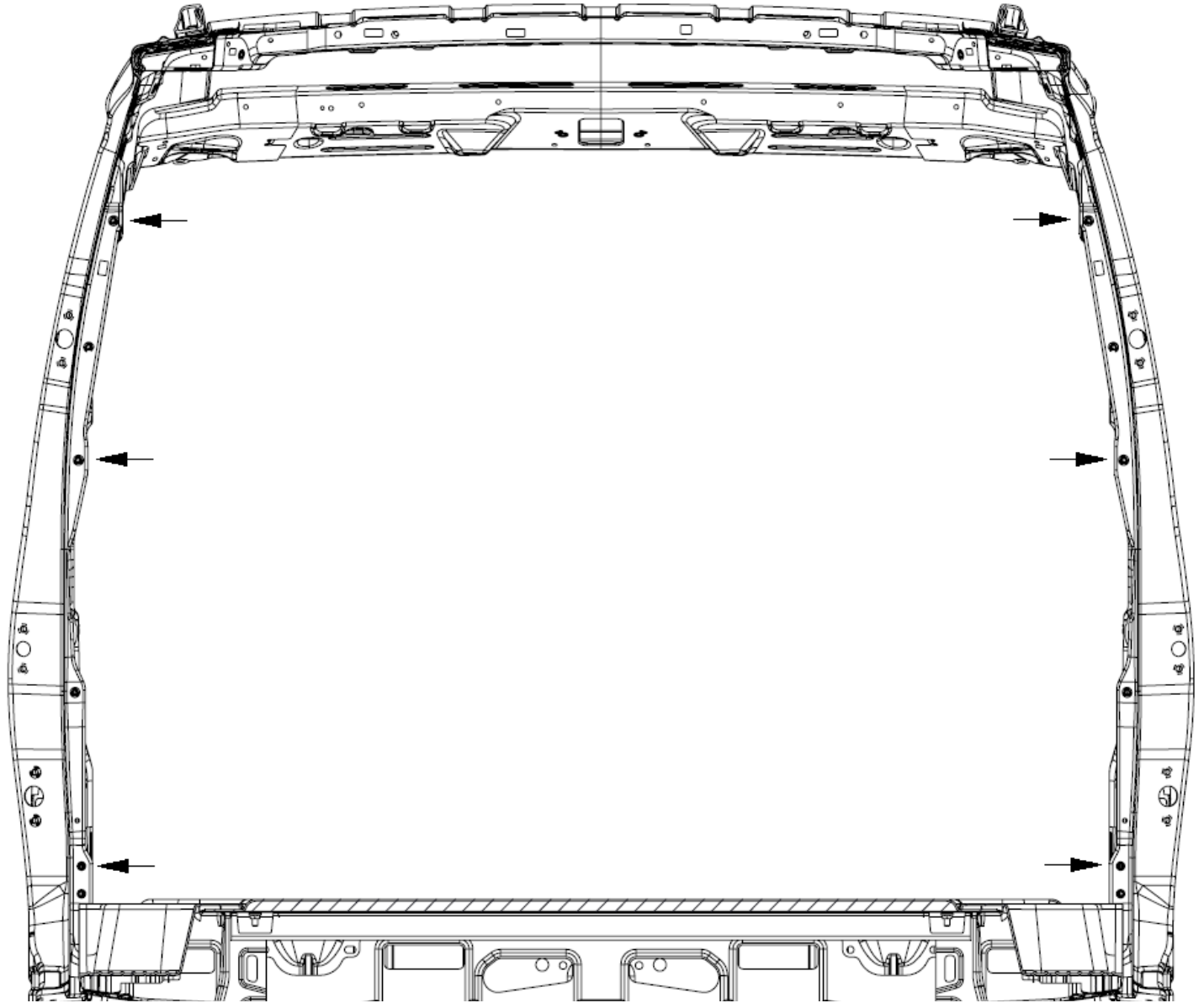
**STEP 2.** Install the floor bracket to the bulkhead panel with six M6 carriage bolts, washers, and nylon lock nuts. For now, leave the nuts loose to allow the bracket to slide up and down freely.



## VAN PREPARATION INSTRUCTIONS

**STEP 3.** Peel back the front half of the rubber seals around the side doors to uncover the B-Pillar.

**STEP 4.** Drill the top, 3rd from the top, and 2nd from the bottom B-Pillar holes to  $7/32$ " and then tap them to  $1/4$ "-20 thread.



## BULKHEAD INSTALLATION INSTRUCTIONS

**STEP 5.** Place the Bulkhead into the van against the B-pillar – Position the top of the bulkhead panel as outlined and shown below.

On a 2014-2017 vehicle, the top of the bulkhead panel will sit beneath the bottom of the headliner.



On a 2018 or newer vehicle, slip the top of the bulkhead panel between the rear of the headliner and the foam pieces.



**STEP 6.** Loosely bolt the Bulkhead to the B-pillars using six 1/4"-20 x 1" bolts and flat washers.

**STEP 7.** While keeping the floor bracket down flat against the floor/floor liner, tighten the bottom bolt on each side to 76 in-lbs. Then tighten the upper four B-Pillar bolts to 76 in-lbs.

**STEP 8.** Tighten the nuts that attach the floor bracket to the bulkhead panel to 76 in-lbs.

**STEP 9.** Push the rubber seal back into place around the side doors.

**STEP 10. (Optional)** If installing Red Zone Accessories to the bulkhead, you can remove a set of the nuts and washers attaching the middle reinforcement bracket, slip the Red Zone Accessory onto the carriage bolts, and replace the washers and nuts. Tighten the nuts to 76 in-lbs.

