



VAN STORAGE SOLUTIONS
FOR THE WAY YOU WORK™

INSTALLATION MANUAL

TRANSIT BULKHEAD — Model Numbers:
96301-3-01, 96302-3-01, 96311-3-01, 96312-3-01, 96321-3-01, 96322-3-01

ATTENTION: PLEASE READ AND UNDERSTAND ALL INSTRUCTIONS AND WARNINGS BEFORE ASSEMBLING, INSTALLING OR USING THIS PRODUCT.

PLAN YOUR VAN (TIPS FOR FASTER INSTALLATION)

- Installing your Transit bulkhead is very clear cut following these instructions.
- Before cutting or drilling in the floor, verify the location of you gas tank, fuel lines and electrical cables so you don't accidentally cut something important.
- When mounting to the floor, make sure that the blind fasteners go into the sheet-metal floor. Always wear eye protection when drilling or cutting.
- When mounting to the B-pillar, you'll need to cut through the plastic trim in low roof models. A hole saw will give you a nice, clean edge. Use the 3/8" spacers to ensure a solid mount to the van.
- Your Transit van bulkhead can be up-graded with a swing-door conversion kit, 96901-3-01. If you think you might want to change to it in the future, put an extra nut between the driver's side panel and the center panel to allow enough space.

TOOLS REQUIRED

- Electric Drill
- Electric Drill-driver or impact wrench
- Pencil or Marker
- Hammer
- Center Punch
- 1" Hole Saw
- Hack saw blade or sharp knife
- 7/16" and 1/2" Driver Bits and/or Sockets
- Drill Bits: 1/8", 3/8", 1/2", 13/32"
- Ratchet Drive for your sockets
- Level
- Carpenter's Square
- Open End Wrenches: 7/16", 1/2", 9/16"

BOLT KIT

DESCRIPTION	QTY
BLIND FASTENER 1/4-20	10
BOLT 1/4-20x5/8 HH GR5	16
SCREW 1/4-14x3/4 DRILL	4
NUT LOCK 1/4-20 NYLON	20
WASHER FLAT 1/4"	40
SPACER FLOOR MOUNTING	6
SPACER FLOOR MNTING 0.5"	4
BOLT CARR. 1/4-20x5/8	4
TOOL BLIND FAST. INSTALL	1
BOLT 1/4-20x2-1/4" HEX HEAD	1
BOLT 1/4-20 x 1-1/4 WASH HD	10

CAUTION

Be safe - always wear protective eyewear to keep debris out of your eyes when installing WEATHER GUARD® Van Products.



VAN STORAGE SOLUTIONS
FOR THE WAY YOU WORK™

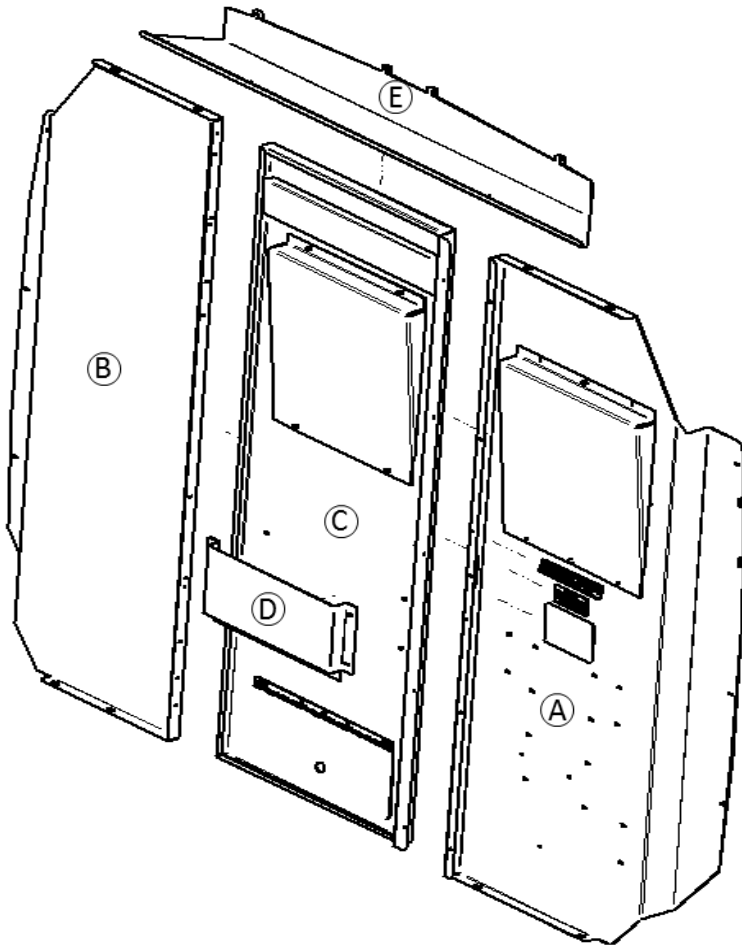
INSTALLATION MANUAL

TRANSIT BULKHEAD — Model Numbers:

96301-3-01, 96302-3-01, 96311-3-01, 96312-3-01, 96321-3-01, 96322-3-01

ATTENTION: PLEASE READ AND UNDERSTAND ALL INSTRUCTIONS AND WARNINGS BEFORE ASSEMBLING, INSTALLING OR USING THIS PRODUCT.

ASSEMBLY INSTRUCTIONS



DESCRIPTION	ITEM
Passenger Side Panel	A
Driver Side Panel	B
Center Panel	C
Door Pocket	D
Header Panel	E
Bolt Kit—Part #32-0315	

STEP 1. Assemble the Door Pockets to either the driver's side or cargo side of the Center Panel using eight (8) 1/4-20 x 5/8" Carriage Bolts, 1/4-20 Nylon Lock Nuts and 1/4" Flat Washers. Insert bolts from the driver's side with washers and nuts on the cargo side.

Bulkhead models 96301-3-01, 96311-3-01, and 96321-3-01 have two clear polycarbonate windows mounted to panels A and C.

Bulkhead models two 96302-3-01, 96312-3-01, and 96322-3-01 have diamond mesh screens mounted to panels A and C.

Available accessories:
Hinge kit 96901-3-01



VAN STORAGE SOLUTIONS
FOR THE WAY YOU WORK™

INSTALLATION MANUAL

TRANSIT BULKHEAD — Model Numbers:

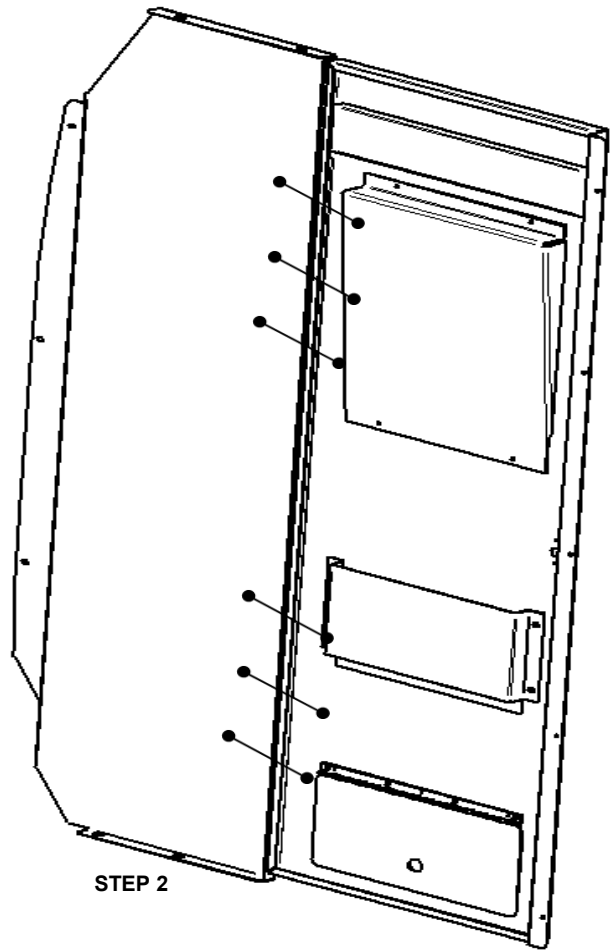
96301-3-01, 96302-3-01, 96311-3-01, 96312-3-01, 96321-3-01, 96322-3-01

ATTENTION: PLEASE READ AND UNDERSTAND ALL INSTRUCTIONS AND WARNINGS BEFORE ASSEMBLING, INSTALLING OR USING THIS PRODUCT.

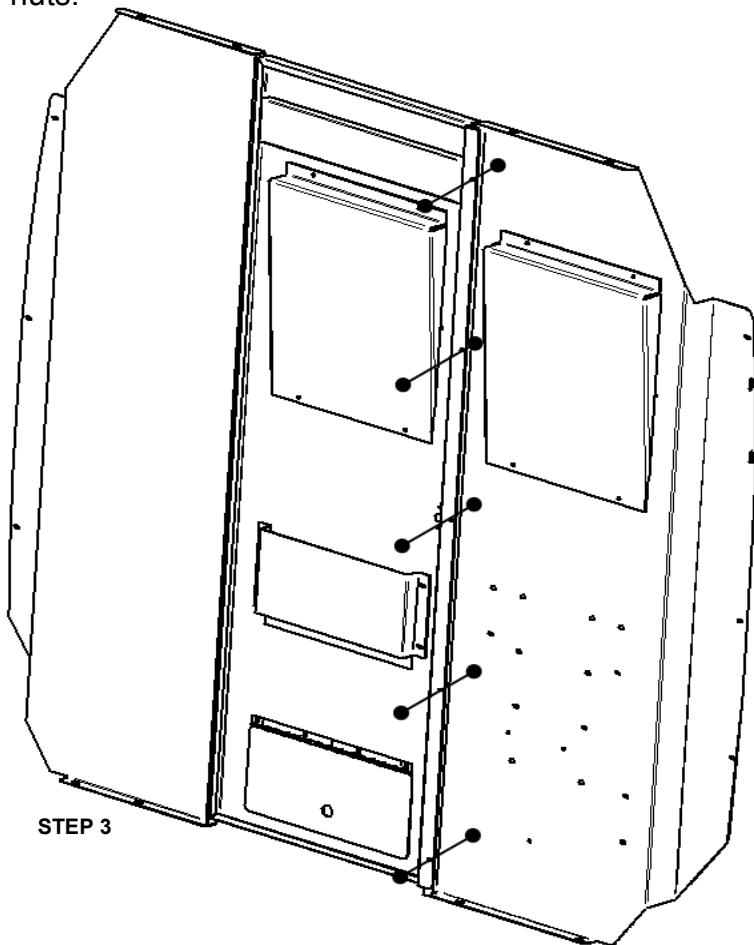
ASSEMBLY INSTRUCTIONS

STEP 2. Attach Driver Side Panel to Center Panel with both panels flush to the bottom using six (6) ¼-20 x 5/8" hex head bolts, ¼" flat washers, and ¼-20 lock nuts. If you are using a swing door hinge kit (96901-3-01) install it now, instead of the mounting hardware. If you are thinking of adding a hinge kit later, insert two flat washers between the Driver Side Panel and the Center Panel while assembling.

STEP 3. Attach Passenger Side Panel to Center Panel with both panels flush to the bottom using five (5) ¼-20 x 5/8" hex head bolts, ¼" flat washers, and ¼-20 lock nuts.



STEP 2



STEP 3

DO NOT FULLY TIGHTEN FASTENERS AT THIS TIME, PARTS MUST STILL MOVE IN SLOTS.

NOTE: Not all mounting holes will be used on either of the vertical sides of the Center Panel. Extra mounting holes are for the swing door option available for this Bulkhead.



VAN STORAGE SOLUTIONS
FOR THE WAY YOU WORK™

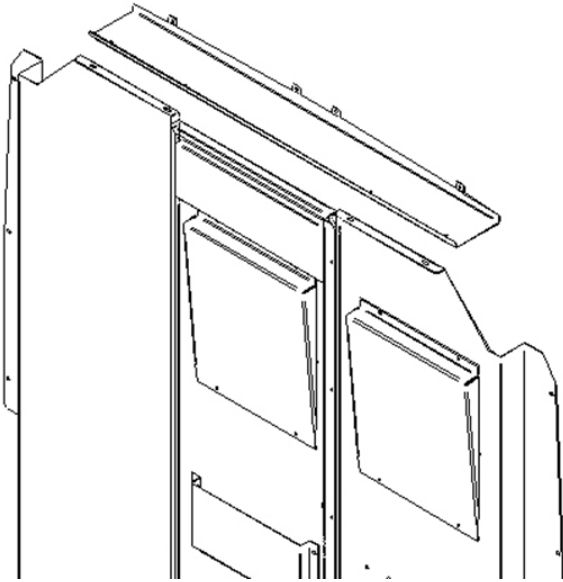
INSTALLATION MANUAL

TRANSIT BULKHEAD — Model Numbers:

96301-3-01, 96302-3-01, 96311-3-01, 96312-3-01, 96321-3-01, 96322-3-01

ATTENTION: PLEASE READ AND UNDERSTAND ALL INSTRUCTIONS AND WARNINGS BEFORE ASSEMBLING, INSTALLING OR USING THIS PRODUCT.

ASSEMBLY INSTRUCTIONS



STEP 5. Attach the Header Panel (Different panels for low, mid, and high roof vans.) to the Bulkhead using four (4) 1/4-20 x 5/8" Hex Head Bolts, eight (8) 1/4" Flat Washers and four (4) 1/4-20 Nylon Lock Nuts.

DO NOT FULLY TIGHTEN FASTENERS AT THIS TIME,

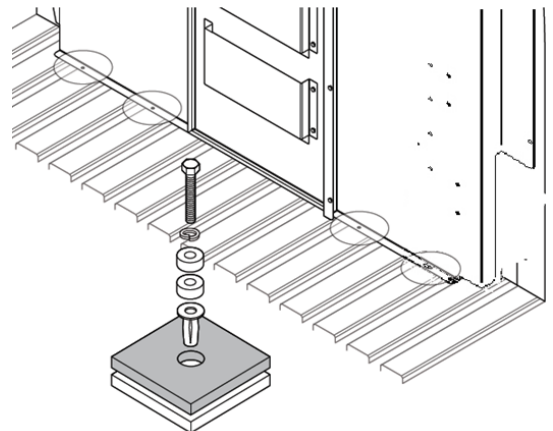
WARNING

All floor mounting bolts near the fuel tank area should be installed from the underside of the vehicle, to guard against the fuel tank being punctured in the event of a collision. This would mean not using Blind Fasteners in this area. Holes in this area should be 5/16". Ensure ample space in roof ribs and sidewall ribs for mounting hardware so as not to puncture exterior roof or wall.

INSTALLATION INSTRUCTIONS

STEP 6. Remove grab handle from the B-Pillar. Place the Bulkhead against the B-Pillar. Using a center punch, mark the four Bulkhead bottom mounting holes on the floor of the van. Ensure the hole is located on the topside of the floor rib. Move the Bulkhead out of the way. Drill a pilot hole with an 1/8" drill bit, then re-drill the hole with a 3/8" drill bit. Floor Mounting Spacers are **required**.

NOTE: Four (4) Blind Fasteners are provided for mounting the bulkhead to the floor. See **INSTALLATION INSTRUCTIONS FOR BLIND FASTENERS** on page 6. Do not use blind fasteners over gas-line of CNG tanks or fuel lines. (Alternate hardware is included to follow any of the bolting solutions below.) **Do not bolt the bulkhead to the floor yet.**



BLIND FASTENER INSTALLATION THROUGH FLOOR MAT AND VAN FLOOR (SEE PAGE)



VAN STORAGE SOLUTIONS
FOR THE WAY YOU WORK™

INSTALLATION MANUAL

TRANSIT BULKHEAD — Model Numbers:

96301-3-01, 96302-3-01, 96311-3-01, 96312-3-01, 96321-3-01, 96322-3-01

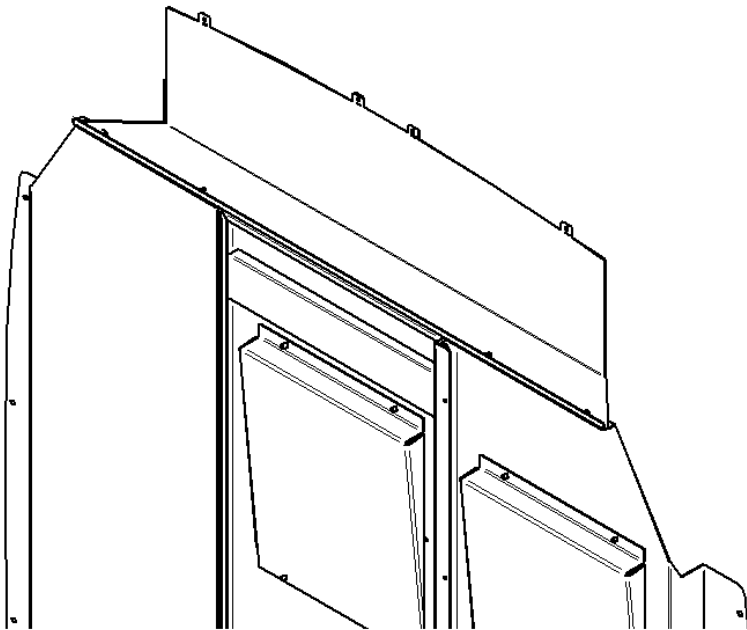
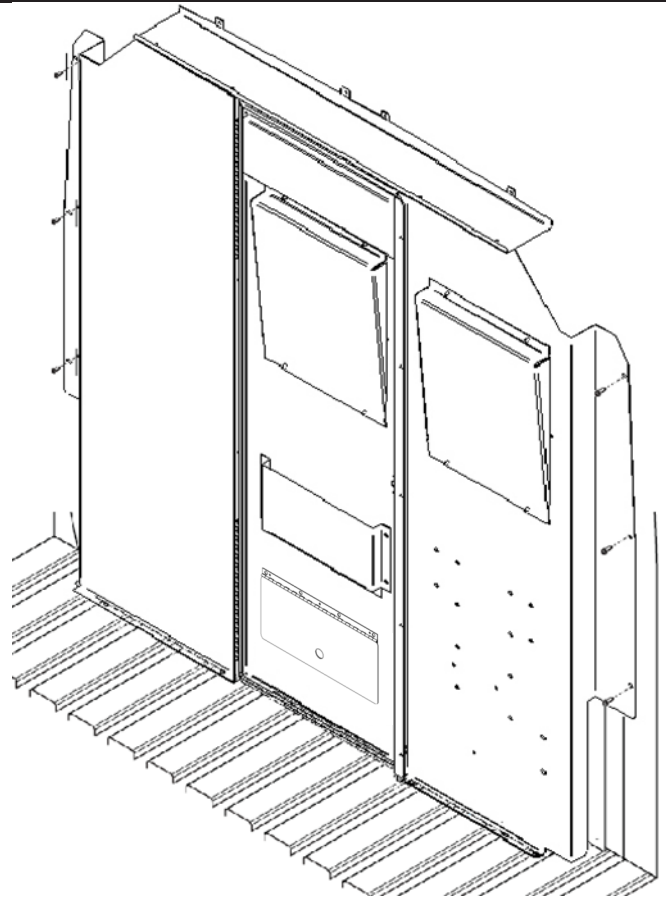
ATTENTION: PLEASE READ AND UNDERSTAND ALL INSTRUCTIONS AND WARNINGS BEFORE ASSEMBLING, INSTALLING OR USING THIS PRODUCT.

INSTALLATION INSTRUCTIONS

STEP 7. FOR LOW ROOF TRANSITS: With the Bulkhead against the B-Pillar trim, use a marker or pencil and mark the six Bulkhead side holes on the B-pillar. Additionally mark and cut the B-pillar trim with a 1" hole saw. Drill a pilot hole with an 1/8" drill bit. Re-drill the hole with a 3/8" bit for the blind fasteners.

FOR MID AND HIGH ROOF TRANSITS: With the Bulkhead against the B-Pillar, use a marker or pencil and mark the six Bulkhead side holes on the B-pillar. Drill a pilot hole with an 1/8" drill bit. Re-drill the hole with a 3/8" bit for the blind fasteners

Move the Bulkhead out of the way, and install six (6) 1/4-20 blind fasteners. See **INSTALLATION INSTRUCTIONS FOR BLIND FASTENERS** on page 6.



STEP 8. FOR LOW ROOF TRANSITS

With the Bulkhead against the B-Pillar, use a marker or pencil to mark where the header panel intersects the roof trim, and cut the roof trim with a knife.

STEP 9. Re-position the bulkhead and install using six (6) 1/4-20 x 1-1/4" hex head bolts and the **required** six (6) 3/8" Mounting Spacers into the B-pillar blind fasteners. Mount header panel to roof channel using (4) 1/4-14x3/4 self-tapping screws.



VAN STORAGE SOLUTIONS
FOR THE WAY YOU WORK™

INSTALLATION MANUAL

TRANSIT BULKHEAD — Model Numbers:

96301-3-01, 96302-3-01, 96311-3-01, 96312-3-01, 96321-3-01, 96322-3-01

ATTENTION: PLEASE READ AND UNDERSTAND ALL INSTRUCTIONS AND WARNINGS BEFORE ASSEMBLING, INSTALLING OR USING THIS PRODUCT.

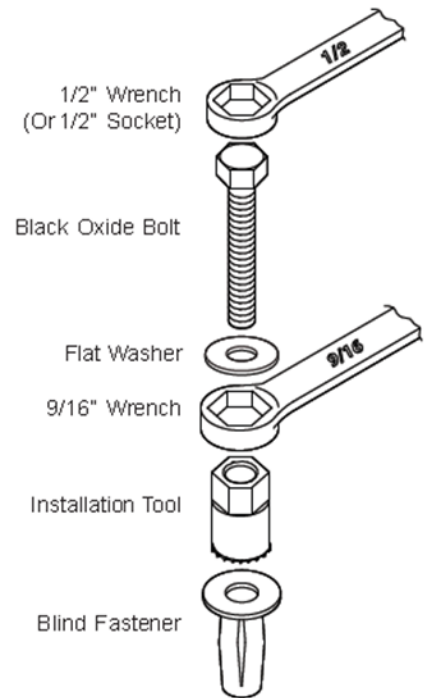
INSTALLATION INSTRUCTIONS

STEP 10. Fasten Bulkhead to van floor using four (4) 1/4-20 x 1-1/4" Hex Head Bolts, 1/4" Flat Washers, and (4) 1/2" Floor Mounting Spacers.

STEP 11. Re-check all fasteners and tighten them.

INSTALLATION INSTRUCTIONS FOR BLIND FASTENERS

Place a drop of oil on the black oxide bolt before assembling as shown on right. Place the Blind Fastener in the hole and use a 1/2" wrench to tighten black hex bolt until the Blind Fastener is fully seated. When setting black hex bolt, it will start out hard. As the Blind Fastener "bulbs" out it will get easier, until it bottoms out or sets. Make sure the Blind Fastener and Installation Tool do not turn during installation.



 **WARNING**

This product is only intended and safe for use in storing and transporting small tools, equipment and other similar materials. These instructions are to be followed using the parts and fasteners supplied for proper installation. Any modifications or improper installation of this product will create a hazardous condition that could result in death, serious personal injury and/or property damage.

All floor mounting bolts near the fuel tank area should be installed from the underside of the vehicle, to guard against the fuel tank being punctured in the event of a collision. This would mean not using Blind Fasteners in this area. Holes in this area should be 5/16". Ensure ample space in roof ribs and sidewall ribs for mounting screws so as not to puncture exterior roof or wall.

Do not install this product where it could interfere with deployment of air bags. Failure to comply could result in death or serious body injury.

- NOTICE -

Any modification or unintended use of this product shall immediately void all manufacturers warranties. Manufacturer disclaims all liability for injuries to persons or property resulting from any modification to, or unintended use of this product.