



**VAN STORAGE SOLUTIONS**

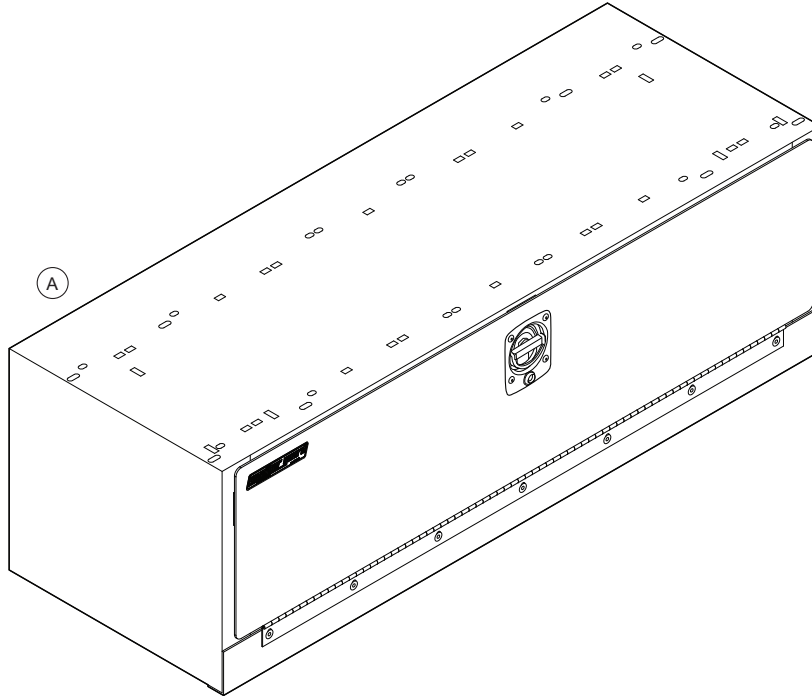
FOR THE WAY YOU WORK™

# INSTALLATION MANUAL

## WHEEL WELL BASE

Model 9444-3-01

**ATTENTION: PLEASE READ AND UNDERSTAND ALL INSTRUCTIONS AND WARNINGS BEFORE ASSEMBLING, INSTALLING OR USING THIS PRODUCT.**



### BOLT KIT

DESCRIPTION	QTY
Mounting Straps	2
Mounting Strap Angles	2
1/4" Lock Washers	3
1/4-14 x 3/4" Hex Head Bolt	2
1/4-20 Nylon Lock Nuts	6
1/4" Flat Washers	10
Floor Mounting Spacers	2
Blind Fasteners	3
1/4-20 x 5/8" Hex Head Bolts	4
Blind Fastener Installation Tool	1
1/4-20 x 1-1/4" Hex Head Bolt	2
1/4-20 x 2-1/4" Hex Head Black Bolts	1

### PARTS

Item	Qty.	Description
A	1	Cabinet assembly w/ door
	1	Key
	1	Bolt Kit #32-8131

### TOOLS REQUIRED

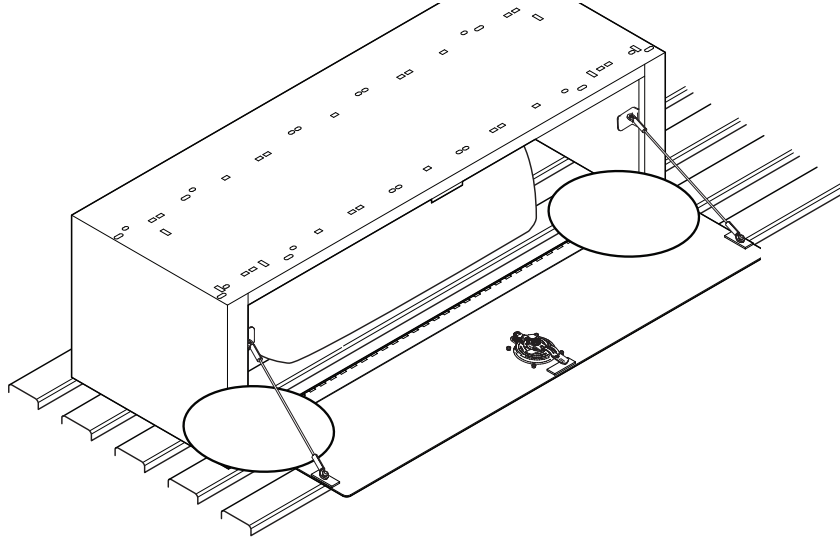
- 7/16 Open or Box end wrench
- Phillips Screwdriver

### INSTALLATION TIME

Approximate installation time: 20 minutes per unit depending on van equipment installation experience.

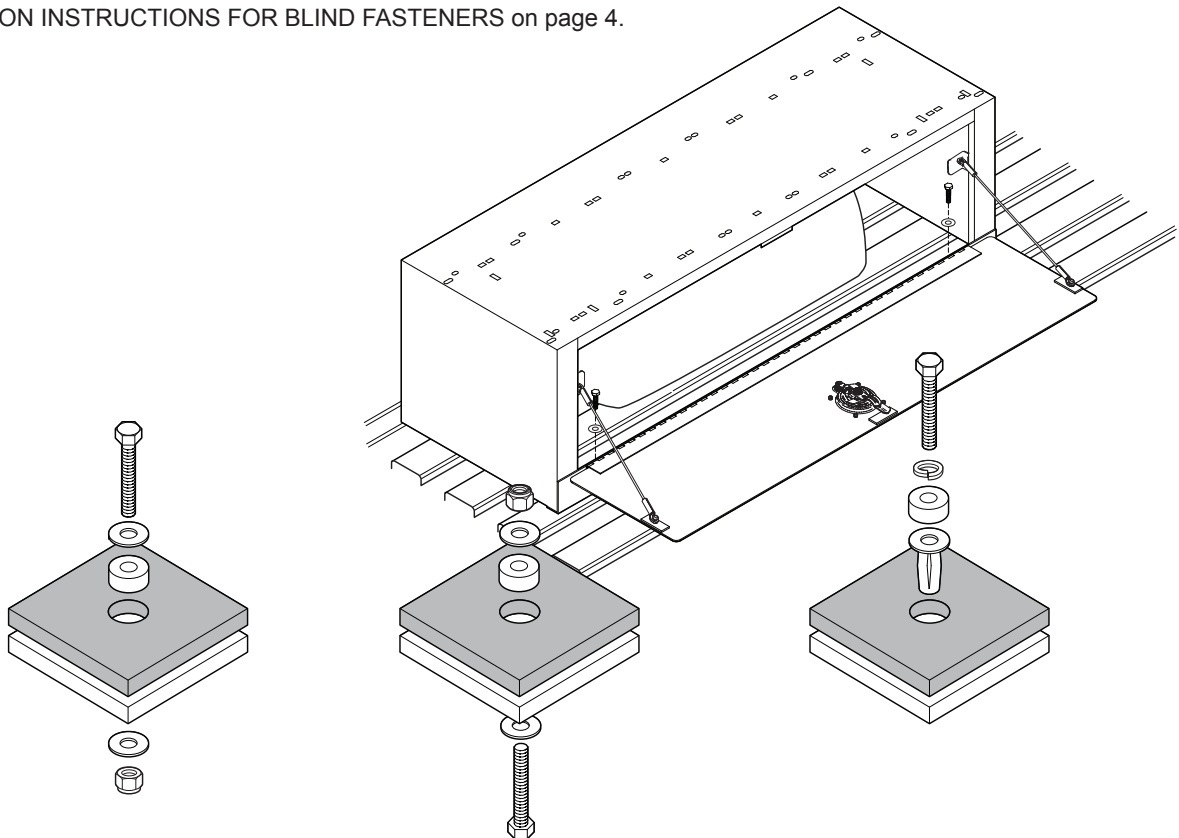
## INSTALLATION INSTRUCTIONS

**STEP 1.** Place the unit over the wheelwell, as close to the wall as possible. Mark the two floor mounting holes where the front flange comes in contact with the floor rib. Remove the unit and pre-drill the floor mounting locations with an 1/8" drill bit, then re-drill the hole with a 5/16" drill bit. If there is a floor mat, then Floor Mounting Spacers are required. Cut the floor mat around the 5/16" holes with the 1" hole saw, allowing Floor Mounting Spacers to rest against the metal floor. **DO NOT DRILL THROUGH THE VAN FLOOR WITH THE HOLE SAW.**



**STEP 2.** Move the unit back into position. Fasten unit to van floor using two (2) 1/4-20 x 1-1/4" Hex Head Bolts, 1/4" Flat Washers, Floor Mounting Spacers (if applicable), second set of 1/4" Flat Washers and 1/4-20 Nylon Lock Nuts. (See example bolting solutions below).

**NOTE:** One (1) Blind Fastener and Lock Washer have been provided in case through-bolting is impossible due to heat shields, floor channels, fuel lines, etc. If Blind Fastener installation is necessary, redrill the 5/16" mounting holes with 13/32" drill bit. See INSTALLATION INSTRUCTIONS FOR BLIND FASTENERS on page 4.



TOP DOWN INSTALLATION THROUGH FLOOR MAT AND VAN FLOOR

BOTTOM UP INSTALLATION THROUGH FLOOR MAT AND VAN FLOOR

BLIND FASTENER INSTALLATION THROUGH FLOOR MAT AND VAN FLOOR (SEE PAGE 4)

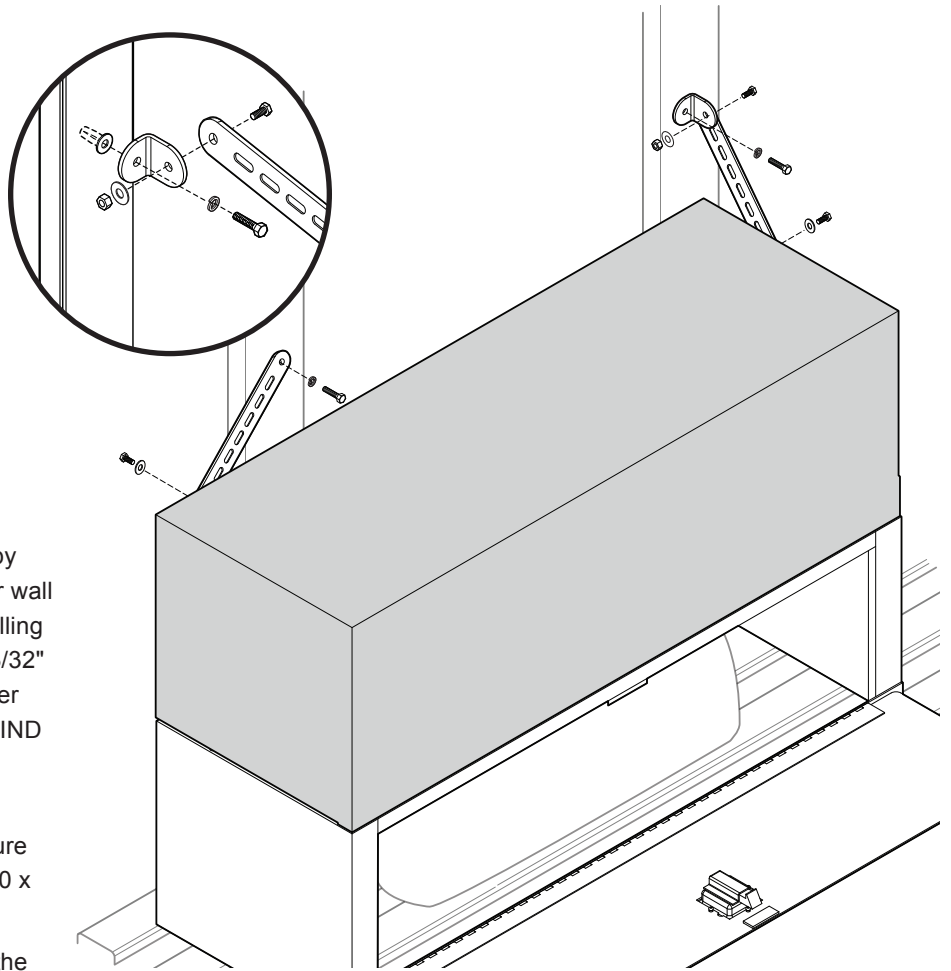
**STEP 3:** Two (2) Mounting Straps and Mounting Strap Angles are provided. The Mounting Straps can be bent to any shape and/or used with the Mounting Angles. The Mounting Straps should be attached to the upper portion of any product mounted on top of this Cabinet in a manner that would minimize movement of the unit both front to rear and side to side. Attach the Mounting Straps to the unit through existing holes (or drill new holes using a 5/16" drill bit) and fasten with 1/4-20 x 5/8" Hex Head Bolts, 1/4" Flat Washers and 1/4-20 Nylon Lock Nuts.

Fasten the other end of the Mounting Straps by installing two (2) Blind Fasteners in the wall or wall ribs at the Mounting Strap locations by pre-drilling 1/8" holes and then re-drill the holes with a 13/32" drill bit. Set the Blind Fasteners in the holes per the INSTALLATION INSTRUCTIONS FOR BLIND FASTENERS below.

Realign the Mounting Straps/Mounting Strap Angles on top of the Blind Fasteners and secure them to the wall or wall rib using two (2) 1/4-20 x 3/4" Hex Head Bolts and 1/4" Lock Washers.

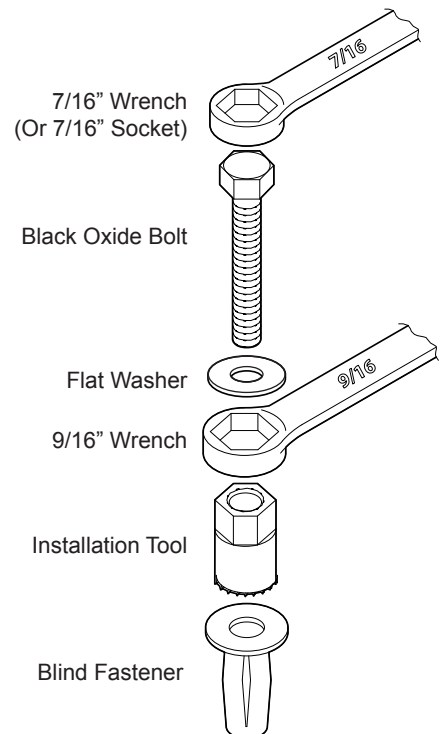
**NOTE:** If no product is mounted to the top of the unit, the unit must be attached to the wall.

**INSTALLATION IS NOW COMPLETE.**



## INSTALLATION INSTRUCTIONS FOR BLIND FASTENERS

Place a drop of oil on the black oxide bolt before assembling as shown on right. Place the Blind Fastener in the hole and use a 7/16" wrench to tighten black hex bolt until the Blind Fastener is fully seated. When setting black hex bolt, it will start out hard. As the Blind Fastener "bulbs" out it will get easier, until it bottoms out or sets. Make sure the Blind Fastener and Installation Tool do not turn during installation.



 **DANGER**

Danger of explosion. Do not use this product for storing or transporting flammables, explosives, hazardous materials, or hazardous waste, such as containers of gasoline, solvents, gun powder, dynamite, propane tanks, acetylene tanks and cutting torches. Failure to heed this warning will result in death or serious injury.

 **WARNING**

This product is only intended and safe for use in storing and transporting small tools, equipment and other similar materials. These instructions are to be followed using the parts and fasteners supplied for proper installation. Any modifications or improper installation of this product will create a hazardous condition that could result in death, serious personal injury and/or property damage.

All floor mounting bolts near the fuel tank area should be installed from the underside of the vehicle, to guard against the fuel tank being punctured in the event of a collision. This would mean not using Blind Fasteners in this area. Holes in this area should be 5/16". Ensure ample space in roof ribs and sidewall ribs for mounting screws so as not to puncture exterior roof or wall.

 **CAUTION**

Prior to drilling, so as not to cut electric wires, fuel lines, brake lines, etc., check behind and underneath drilling and mounting locations. Failure to heed this warning will result in death or serious injury.

**– NOTICE –**

Any modification or unintended use of this product shall immediately void all manufacturers warranties. Manufacturer disclaims all liability for injuries to persons or property resulting from any modification to, or unintended use of this product.

