



**VAN STORAGE SOLUTIONS**

*FOR THE WAY YOU WORK™*

**ASSEMBLY and INSTALLATION INSTRUCTIONS for  
VAN SHELVING and SECURE STORAGE UNITS**

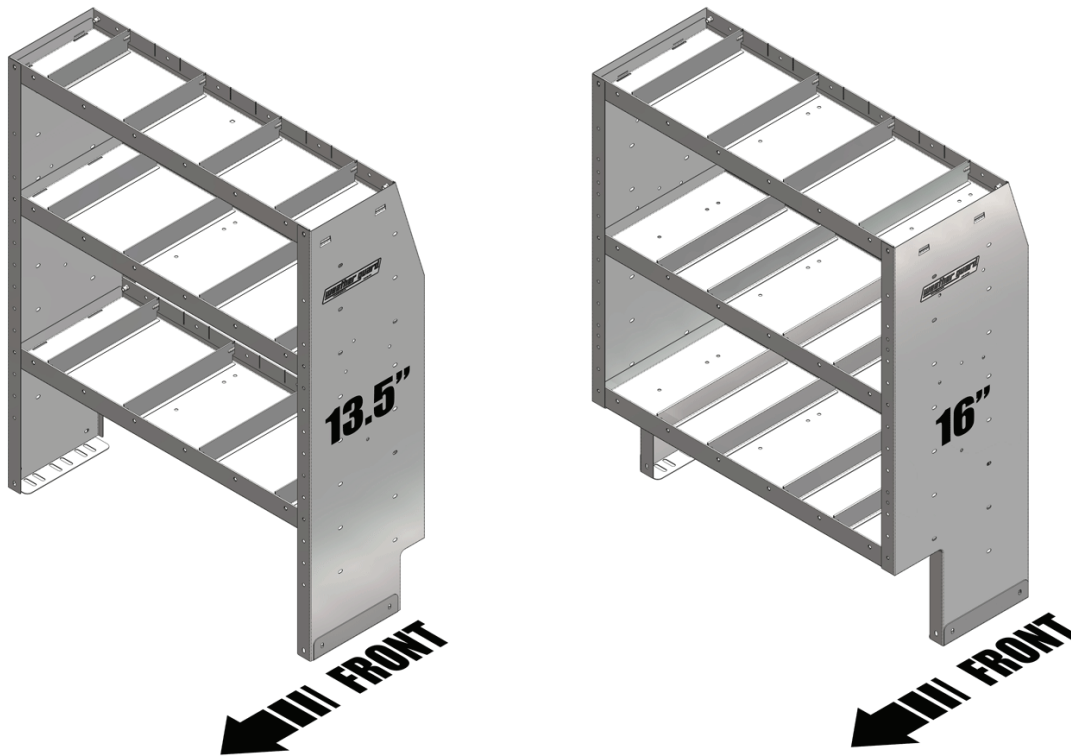


**ATTENTION: PLEASE READ AND UNDERSTAND ALL INSTRUCTIONS AND WARNINGS BEFORE ASSEMBLING, INSTALLING OR USING THIS PRODUCT.**

**! PLAN YOUR VAN (TIPS FOR FASTER INSTALLATION)**

- Follow these instructions when installing your WEATHER GUARD® shelving unit.
- Take into consideration any REDZONE end panel mounted accessories to be used and the desired mounting location. The shelves can be easily adjusted.
- Look for convenient mounting points when placing the shelf unit in the van. Double check the location for mounting straps on top before drilling holes in the floor.
- Blind fasteners can speed up installation. CAUTION: Check location before drilling to avoid damaging fuel tanks, lines, or a cable harness.

**ATTENTION: 13.5" SHELF vs 16" SHELF NOTCH LOCATION**



**TOOLS REQUIRED**

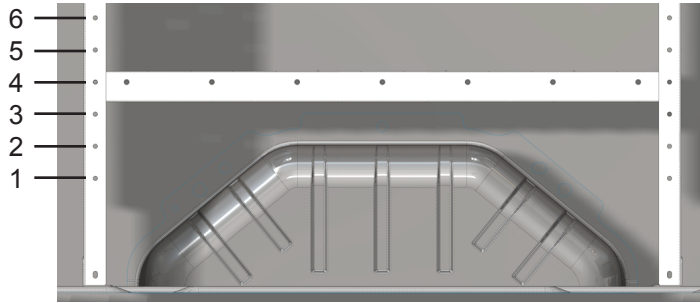
- Electric drill-driver or impact wrench
- Pencil or marker
- Rubber Mallet
- Center punch
- 1" hole saw
- Hack saw blade or sharp knife
- 3/8" and/or 1/4" drive ratchet wrench
- 7/16" and 3/8" sockets
- Drill bits: 1/8", 3/8"
- Level
- Carpenter's square
- Open end wrenches 7/16" and 9/16"

**CAUTION**

Be safe - always wear protective eyewear to keep debris out of your eyes when installing WEATHER GUARD® Van Products.

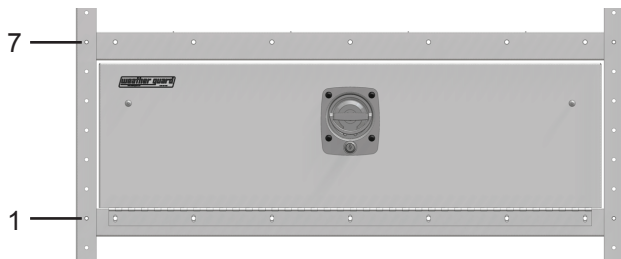
# PLAN YOUR VAN SHELVING INSTALLTION

## Bottom Shelf Spacing for Wheel Wells



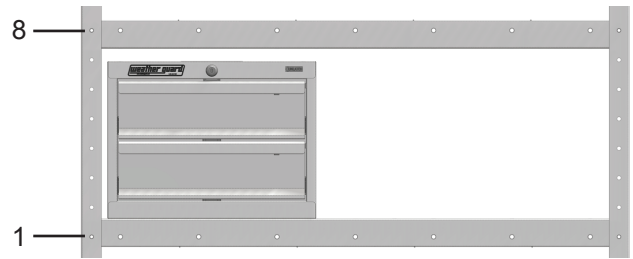
Van	Bottom Shelf Location (All Shelves)
FORD Transit	4
FORD E-Series	4
FORD Transit Connect	ANY
RAM Promaster	6
RAM Promaster City	6
CHEVY Express/ GMC Savana	5
CHEVY City Express/ NISSAN NV200	4
NISSAN NV	5
Sprinter	4

## Shelf Spacing for Shelf Doors

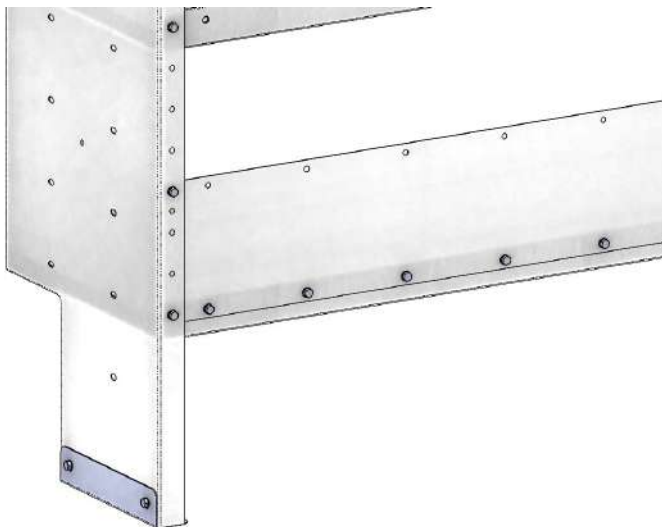


Allow seven mounting spots between shelves for a shelf door accessory.

## Shelf Spacing for Cabinet Accessories



Allow eight mounting spots between shelves for a shelf mounted cabinet accessory.



## Back Panel Installation

Position back panels between shelf and end panel edges to better secure back panel in shelf unit, especially when using back panels behind the top shelf. Use 1/4-20 x 3/4" bolts, 1/4" flat washers, and nylon lock nuts.

## SHELF ASSEMBLY INSTRUCTIONS

**STEP 1.** With the end panels resting on the floor, insert the top shelf into the bayonet clips. Mount the shelf such that the square hole faces front of the shelf unit.

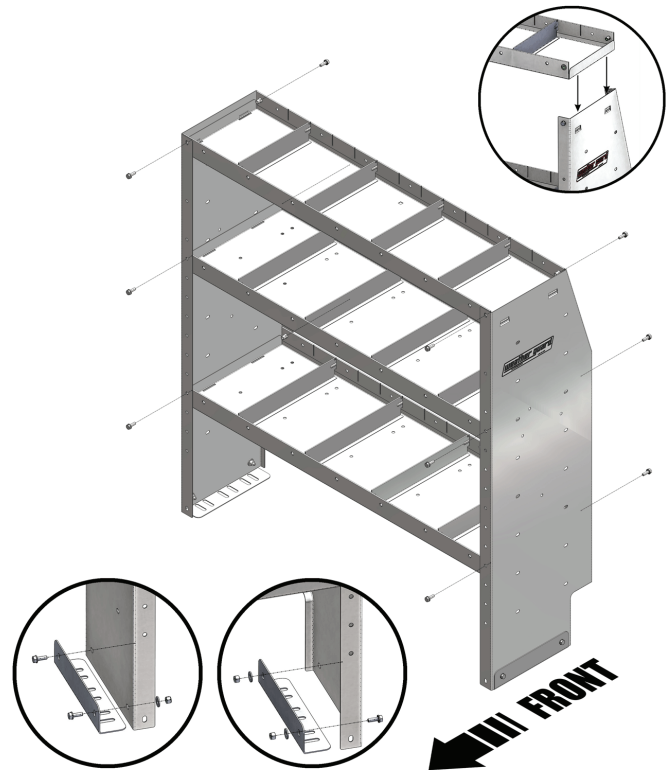
**STEP 2.** Install the shelves working from the lowest shelf upward using 1/4-20 x 3/4" bolts. Consider wheel well height and clearance for tools or equipment when placing lowest shelf.

**STEP 3.** Loosely assemble a mounting bracket to each end panel using 1/4-20 x 3/4" bolts, 1/4" flat washers, and nylon lock nuts. Mount the bracket Under the edge of the end panel.

**STEP 4.** Install dividers (optional).

**\*NOTE:** Shelves need to be spaced seven(7) end panel holes apart (bolt to bolt) for the door to fit correctly.

(13.5" deep shelf shown on the right.)



Mounting bracket should overlap and support end panel. It can be mounted on either side.

## SECURE STORAGE ASSEMBLY INSTRUCTIONS

**STEP 1.** With the Secure Storage Module resting, place end panel on each side of the Secure Storage Module at the required position and bolt it in place using four 1/4-20 x 3/4" bolts.

**STEP 2.** Insert the top shelf into the bayonet clips. Mount the shelf such that the square hole faces front of the shelf unit.

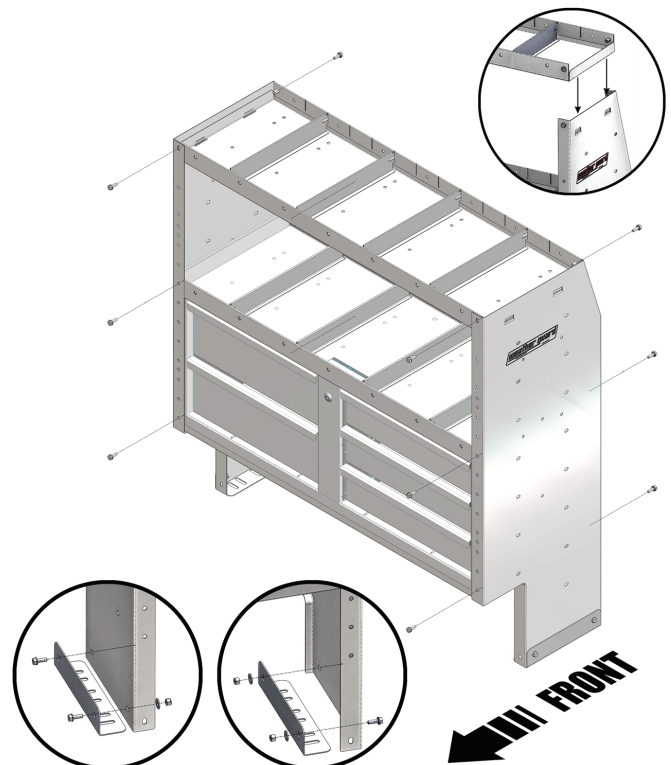
**STEP 3.** Carefully raise the shelf unit to an upright position and bolt the Secure Storage Module in place with four more 1/4-20 x 3/4" bolts.

**STEP 4.** Bolt down the top shelf using four 1/4-20 x 3/4" bolts.

**STEP 5.** Loosely assemble a mounting bracket to each end panel using 1/4-20 x 3/4" bolts, 1/4" flat washers, and nylon lock nuts. Mount the bracket under the edge of the end panel.

**STEP 6.** Install dividers (optional).

**\*NOTE:** All Secure Storage Modules are 16" deep.

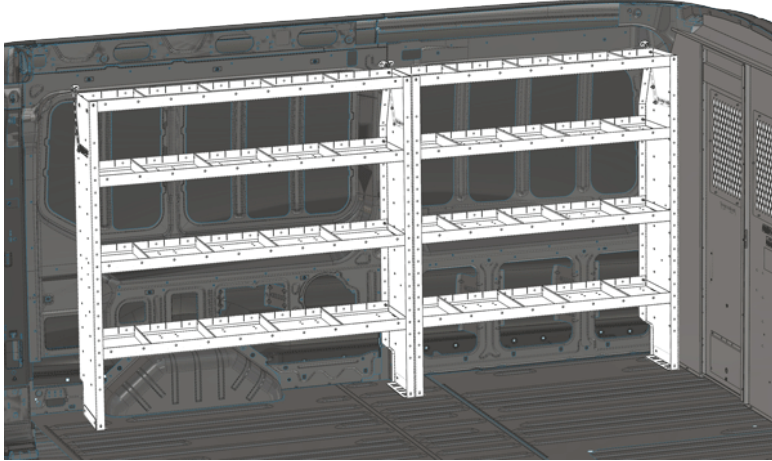


Mounting brackets install the same way on all shelving units.

## SHELF UNIT INSTALLATION INSTRUCTIONS

WEATHER GUARD® Van Shelving provides vehicle mounting flexibility to customize the up-fit for the needs of tradesmen and professionals.

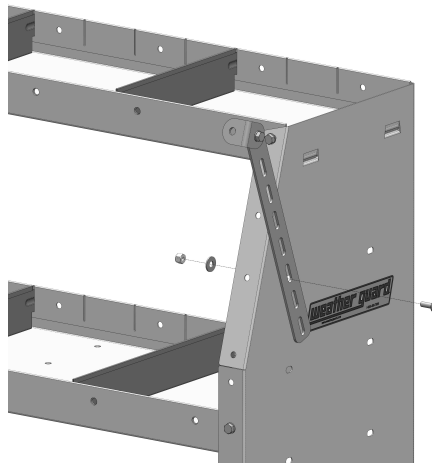
**STEP 1.** Verify where the shelves are to be placed in the van, taking into account all equipment being installed, shelf sizes, and the most convenient floor and wall mounting points. Check for clearance around wheel wells, tire jack, fuel tank, fuel filler, brake lines, and wiring harness.



**PLAN PLACEMENT AND VERIFY POSITION IN VAN BEFORE DRILLING!**

**STEP 2.** Place assembled shelves in the van and check for alignment using a level and/or carpenter's square.

**STEP 3.** WEATHER GUARD® van shelving provides multiple points to attach wall mounting straps to the shelf unit. Loosely pre-assemble and attach mounting straps to end panels now to make shelf positioning easier. Mount two mounting angle brackets to one end of the mounting strap using a 1/4-20 x 3/4" bolt with a washer and nylon lock nut. Attach mounting strap using one 1/4-20 x 3/4" bolt with a washer and nylon lock nut.



It is important to make sure that the mounting straps are attached on the end panels perpendicular to the van walls. The mounting strap needs to be bolted at two points at minimum where the strap and the end panel meets. Attach the mounting strap to end panel using an existing obround hole such that the strap can pivot and is long enough to reach the van wall. Use a 1/4-20 x 3/4" bolt with washer and a nylon lock nut but do not tighten at this time.

## SHELF UNIT INSTALLATION INSTRUCTIONS

**STEP 4.** Mark floor and wall mounting locations. Two mounting bolts per bracket is recommended. Verify that mounting locations will not puncture the fuel tank or break fuel lines, brake lines, and wiring harness.

**STEP 5.** Move the shelf unit out of the way and drill the floor mounting holes. Verify again that mounting locations do not interfere with any of the aforementioned parts of the van. If the van has a floor liner mat, cut 1" diameter holes using a hole saw to install blind fasteners directly to the sheetmetal floor.

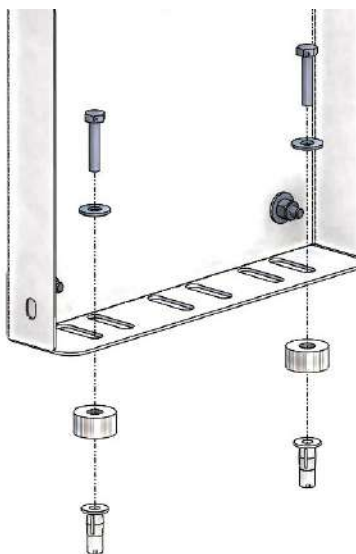
**STEP 6.** Install blind fasteners in the floor. When shelf units mount next to each other, one mounting bracket can be shared to simplify installation without sacrificing structural integrity. **DO NOT USE BLIND FASTENERS IF THERE IS A RISK OF THE BLIND FASTENER PUNCTURING A FUEL TANK.** Instead, through-bolt to the floor using 1/4-20 x 1-1/2" bolt with a nylon lock nut and flat washers for both sides of the floor.



- Place a drop of oil on the black oxide bolt before assembling as shown.
- Place the Blind Fastener in the hole and use a 7/16" wrench or socket to tighten the bolt until the Blind Fastener is fully seated.
- When setting the bolt, it will start out hard. As the Blind Fastener "bulbs" out it will get easier, until it bottoms out or sets.
- Use a 9/16" wrench to make sure the Blind Fastener and installation tool do not turn during installation.

**STEP 7.** Reposition the assembled shelf unit and check for alignment. Mount shelf unit to floor. Use a washer and the 1/4-20 x 1-1/2" mounting bolts into the blind fasteners. Use floor spacers as required to level the shelf unit ensuring a solid connection to the van floor. Wait until the shelf unit is attached to the walls before completely tightening the floor mounting bolts.

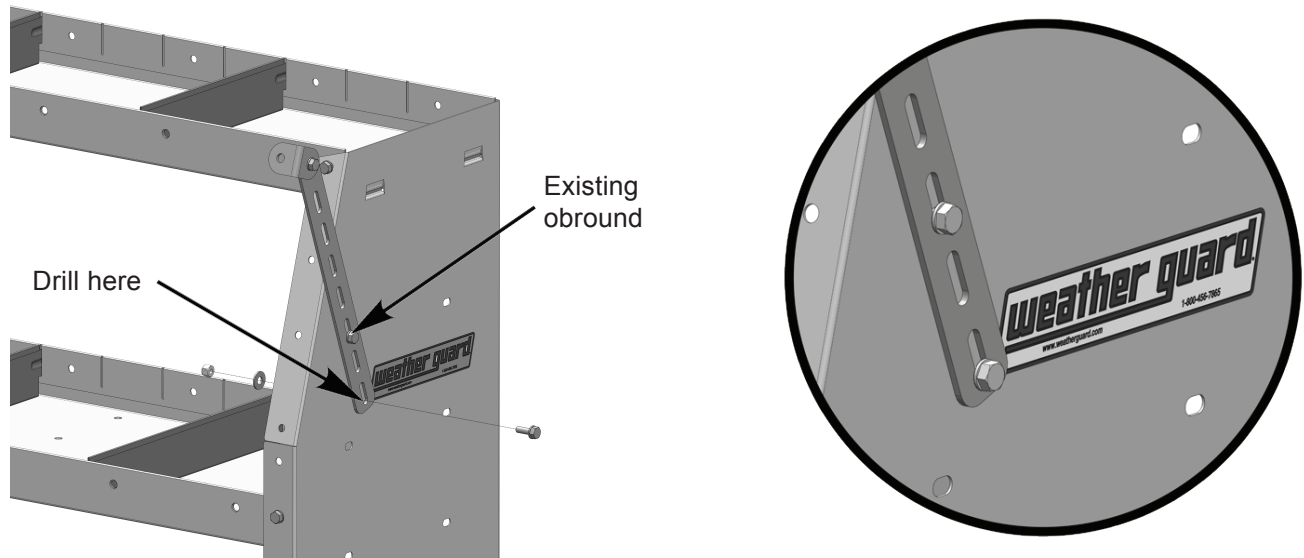
**\*Note:** Use mounting kit 9720-3-01 for Nissan NV.



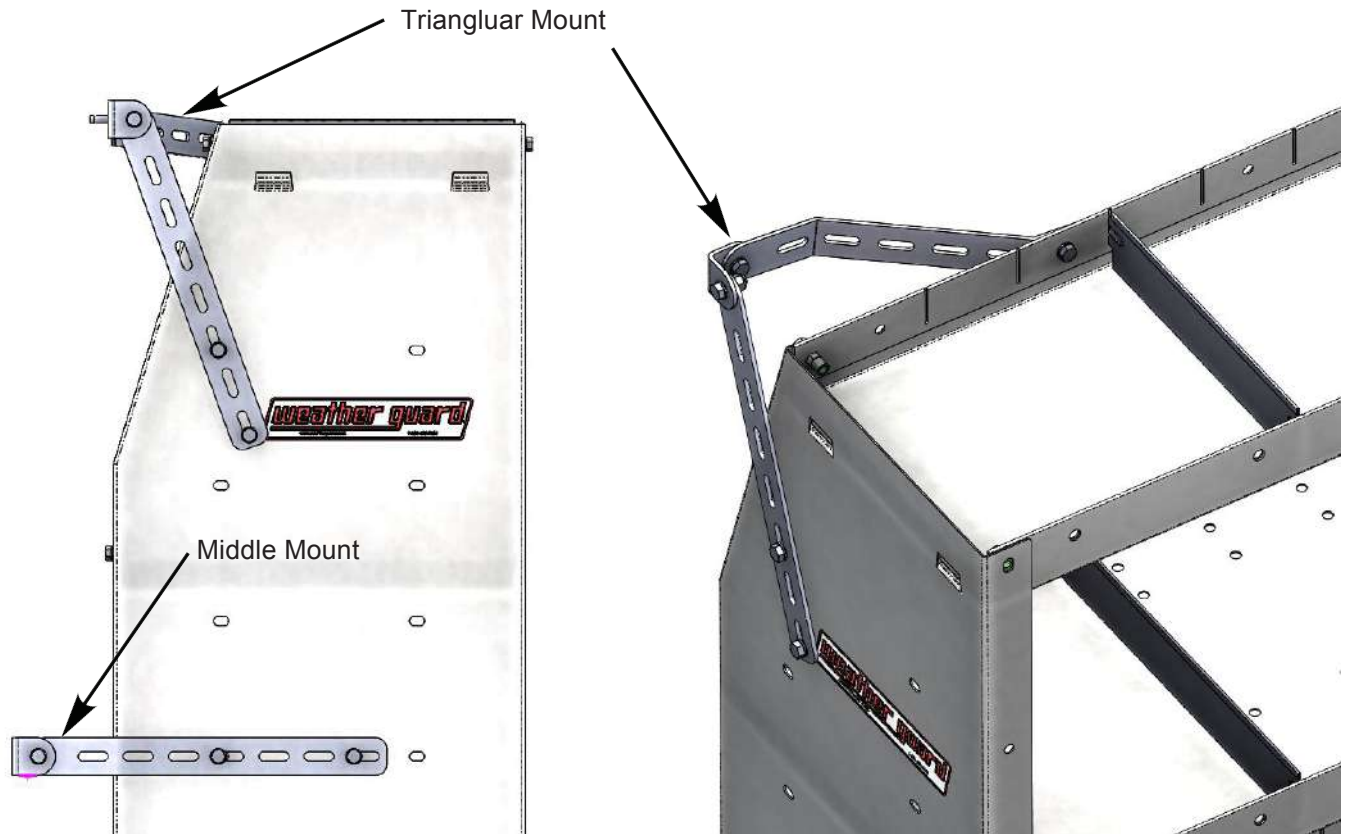


## SHELF UNIT INSTALLATION INSTRUCTIONS

**STEP 8.** Finish installing the mounting straps by aligning then drilling additional hole for the second attachment point mentioned in **STEP 3**. Use a 1/4-20 x 3/4" bolt with washer and a nylon lock nut. Mounting straps can be trimmed or bent to get the best fit to the inside wall of the van.

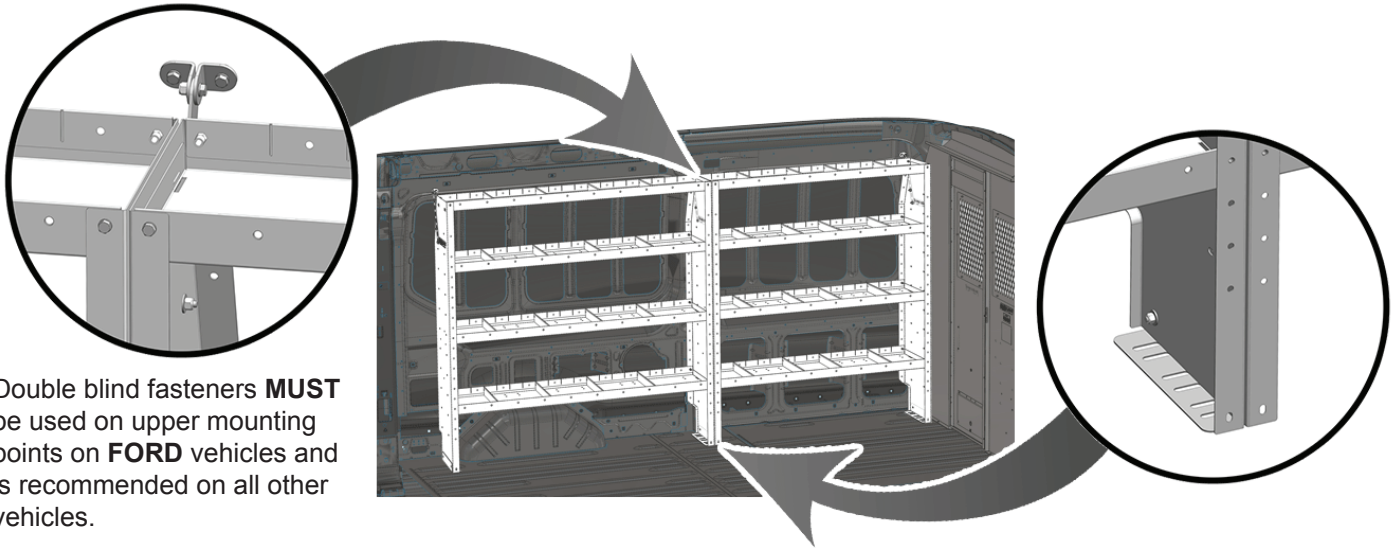


Install middle mounting point when possible. You can bend the mounting strap to create a triangular mounting to strengthen the shelf unit.



## SHELF UNIT INSTALLATION INSTRUCTIONS

**STEP 9.** Verify the wall mounting locations and install blind fasteners. Existing holes may be used to install blind fasteners if they are located near the mounting straps. If not, they may still be used for **ADDITIONAL** mounting points using extra mounting straps. We recommend using two mounting angles on the strap joining two shelf units. One mounting foot can be shared between two shelf units.



Double blind fasteners **MUST** be used on upper mounting points on **FORD** vehicles and is recommended on all other vehicles.

**STEP 10.** Assemble a lock washer and a flat washer to each 1/4-20 x 1-1/4" mounting bolt, and loosely attach the shelf unit to the blind fasteners in the van wall through the mounting angles. Once all brackets and mounting bolts are in place, re-check for alignment and tighten all bolts to 24 in-lbs.

**\*Note:** Some accessories, like shelf doors, back panels, and retainer lips may be easier to install prior to installing the shelf unit in the van.

60" x 16" shelf units include a center support bracket. It can be mounted in front of, or behind the shelf unit. The support bracket does not need to be centered. Load on the shelf will need to be reduced if the unsupported span exceeds 48" or if the support is not used.



## VAN SHELVING ACCESSORIES AND SERVICE PARTS

Part No.	Part Name	Description
9503-3-01	Shelf Door, 36 in	Shelf Doors and Back Panels help secure shelf contents.
9504-3-01	Shelf Door, 42 in	
9505-3-01	Shelf Door, 52 in	
9506-3-01	Shelf Door, 60 in	
9603-3-02	Accessory Back Panel, 36 in	
9604-3-02	Accessory Back Panel, 42 in	
9605-3-02	Accessory Back Panel, 52 in	
9606-3-02	Accessory Back Panel, 60 in	
9703-3-02	Retainer Lip, 36 in	Retainer lips for mounting a shelf door at floor level or keeping parts in place under shelf units.
9704-3-02	Retainer Lip, 42 in	
9705-3-02	Retainer Lip, 52 in	
9706-3-02	Retainer Lip, 60 in	
9730-3-01	Shelf Support for 36 in high shelf units	Shelf supports increase the load capacity of Weather Guard shelves.
9740-3-01	Shelf Support for 44 in high shelf units	
9760-3-01	Shelf Support for 60 in high shelf units	
9820	Bin Dividers, 10 in	Shelf mats and extra divider sets provide more organization options.
9823	Bin Dividers, 13 in	
9825	Bin Dividers, 13 1/2 in	
9826	Bin Dividers, 16 in	
8841	Shelf Mat for 13-1/2 in deep shelves	
9832	Shelf Mat for 13 in deep shelves	
9836	Shelf Mat for 16 in deep shelves	
9720-3-01	Nissan NV floor mounting adapter kit	Specialty shelf unit mounting kits speed installation by using existing mounting features.
70221	Replacement Bolt Kit For Van Shelf End Panel	Van Shelving Replacement parts kits
70222	Replacement Bolt Kit For Van Shelf Kit	
70201	Replacement Shelf End Panel Cap	
70202	Replacement Cam Handle Set	
70203	Replacement Back Panel Fastener Kit	
7601	T Bracket Shelf Unit Mounting Kit	
7604	1/4 In Thick Aluminum Mounting Spacer Kit (50 Pcs)	
70136	White touch-up paint (1/2 ounce brush tip)	
886-1CN	White aerosol touch-up paint (12 ounce aerosol)	
954-1CN	Red aerosol touch-up paint (12 ounce aerosol)	
7998-10PK	1/4 in Blind Fasteners kit, 10 pack	
7998-20PK	1/4 in Blind Fasteners kit, 20 pack	
7998-50BG	1/4 in Blind Fasteners kit, 50 pack	
7998-100BG	1/4 in Blind Fasteners 100 pack	
999-10PK	5/16 in Blind Fasteners kit, 10 pack	
999-20PK	5/16 in Blind Fasteners kit, 20 pack	
999-50BG	5/16 in Blind Fasteners kit, 50 pack	
999-100BG	5/16 in Blind Fasteners 100 pack	

 **WARNING**

This product can reduce the driver's ability to clearly see roadways, vehicular or pedestrian traffic and other objects through the rear and side windows of the vehicle, which can cause an accident. Extra precautions should be taken when driving a vehicle with this product. Make all adjustments necessary to ensure maximum visibility, including but not limited to, changing mirror and seating positions. State and local laws may prohibit obstruction of windows in a moving vehicle.

These instructions are to be followed using the parts and fasteners supplied for proper installation. Any modifications or improper installation of this product will create a hazardous condition that could result in death, serious personal injury and/or property damage.

 **CAUTION**

Prior to drilling, so as not to cut electric wires, fuel lines, brake lines, etc., check behind and underneath drilling and mounting locations. To keep debris out of your eyes when checking the underside of the vehicle, or when drilling, always wear protective eye wear. Failure to heed this warning will result in death or serious injury.

**– NOTICE –**

Any modification or unintended use of this product shall immediately void all manufacturers warranties. Manufacturer disclaims all liability for injuries to persons or property resulting from any modification to, or unintended use of this product.

