



**VAN STORAGE SOLUTIONS**  
FOR THE WAY YOU WORK™

# INSTALLATION MANUAL

## Rapid Mount™ Cabinets

**ATTENTION: PLEASE READ AND UNDERSTAND ALL INSTRUCTIONS AND WARNINGS BEFORE ASSEMBLING, INSTALLING OR USING THIS PRODUCT.**

### **! PLAN YOUR VAN (TIPS FOR FASTER INSTALLATION)**

- Check the fit of floor mounted accessories and shelf units in the van before drilling holes in the floor or wall of the van.
- Use the placement guides in the catalog as a guide to ensure a good fit in your van.
- A minimum of two floor mounting bolts are needed to ensure proper lifetime function of your product.
- If stacking units, Model 8940 Accessory Mounting Strap Kit (not included) is required to secure the top unit to the side wall of the van.

#### **BOLT KIT**

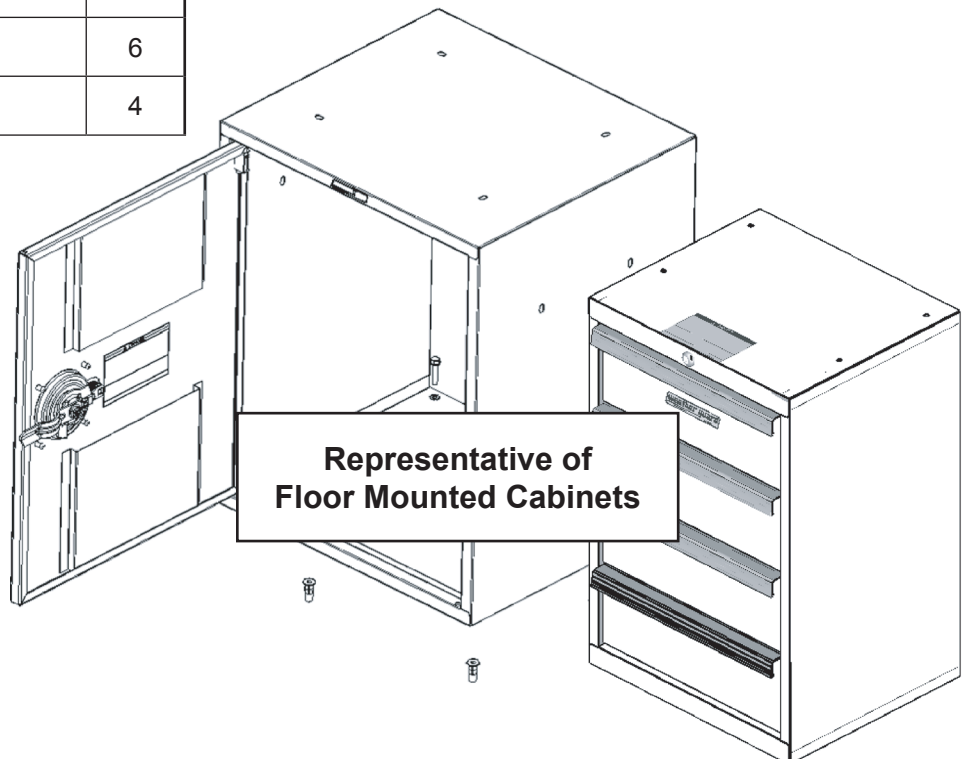
DESCRIPTION	QTY.
Washer, 1/4" Flat	6
Bolt, 1/4-20 x 1-1/4" Hex Wsh. Hd.	4
Nut, 1/4-20 Nylon Insert Lock	4
Blind Fastener, 1/4-20	4
Blind Fastener Installation Tool	1
Bolt, 1/4-20 x 2-1/4", Black	1
Bolt, 1/4-20 x 3/4" Hex Washer Head	6
Washer, Lock 1/4" Ext. Tooth	4

#### **TOOLS REQUIRED**

- 7/16" Open or box wrench
- 7/16" Socket and driver
- 9/16" Open or box wrench
- Drill with 5/16" drill bit
- Utility knife or 1-1/4" dia hole saw

#### **! CAUTION**

Be safe - always wear protective eyewear to keep debris out of your eyes when installing WEATHER GUARD® Van Products.



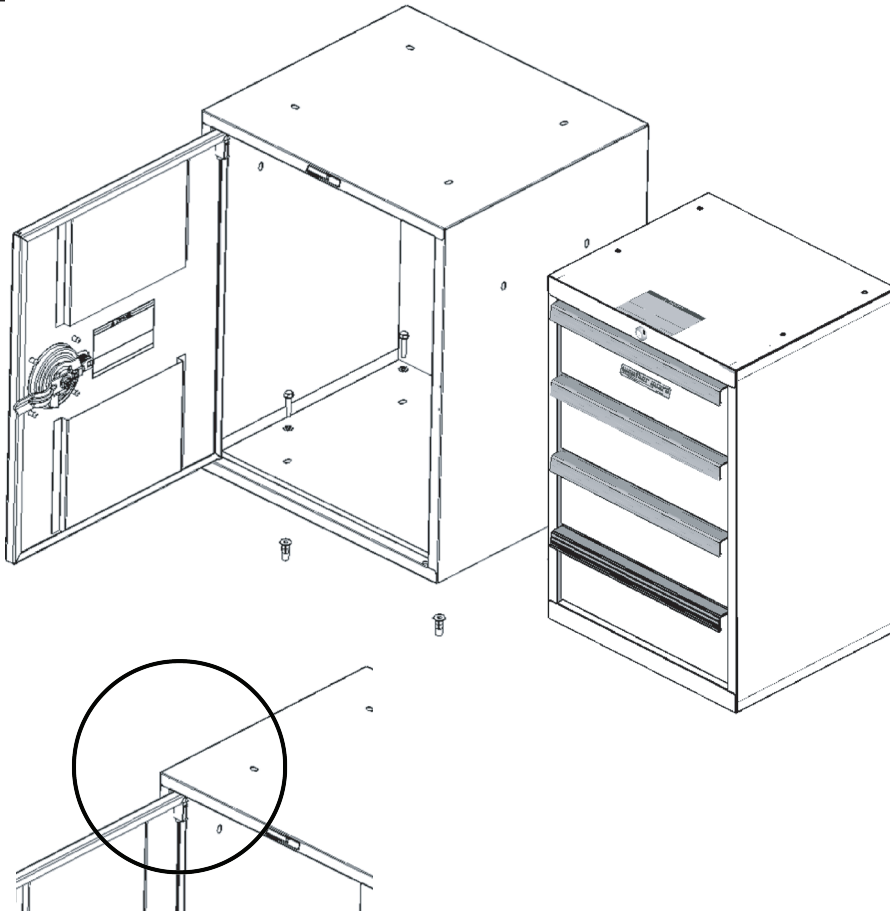


**VAN STORAGE SOLUTIONS**  
FOR THE WAY YOU WORK™

# INSTALLATION MANUAL

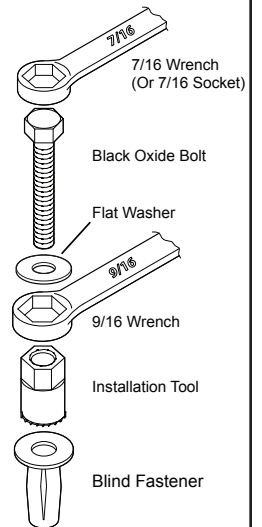
## Floor Mounted Cabinets

**ATTENTION: PLEASE READ AND UNDERSTAND ALL INSTRUCTIONS AND WARNINGS BEFORE ASSEMBLING, INSTALLING OR USING THIS PRODUCT.**



### INSTALLING BLIND FASTENERS

Place a drop of oil on the black oxide bolt before assembling as shown on right. Place the Blind Fastener in the hole and use a 7/16 wrench to tighten black hex bolt until the Blind Fastener is fully seated. When setting black hex bolt, it will start out hard. As the Blind Fastener "bulbs" out it will get easier, until it bottoms out or sets. Make sure the Blind Fastener and Installation Tool do not turn during installation.



### ! WARNING

Prior to drilling, check under vehicle for fuel tanks, fuel lines, brake lines, electric wires, etc. to avoid cutting or puncturing them. Do not use Blind Fasteners in these areas.

## INSTALLATION STEPS

**CABINET NOTE:** Doors may be reversed so the door hinges from the right. Depress the spring-loaded hinge pin at the top left corner to remove the door. Move the plastic bushings from the cabinet left side and insert them in the holes on the right side. Depress the spring loaded hinge pin and insert the door in the cabinet.

**DRAWER NOTE:** 24" tall drawer units are intended to mount to the floor. release the bottom drawer by pressing the plastic tabs on the drawer slides. They can also be mounted to shelves using mounting bracket set 9996-3-01. Check weight distribution before installing on shelf.

**STEP 1:** Place the Cabinet in position and mark through the holes in the floor of the cabinet.

**STEP 2:** remove the cabinet and drill the locations with a 5/16" drill bit. replace the cabinet.

**STEP 3:** Install four blind fasteners. refer to the Instructions for Installing Blind Fasteners section.

**STEP 4:** Fasten unit using hardware provided.

**STEP 5:** Install shelves if included.

**STEP 6:** If stacking units, use 1/4-20 x 1/2" bolts (provided) in place of the 1/4-20 x 1-1/4" bolts. Model 8940 Accessory Mounting Strap Kit is required if stacking units.

NOTE: When stacking units, mount heavier units on the bottom, not on the top. Check the position of the cabinets in the application before drilling holes or mounting cabinets to each other. Use Accessory Mounting Strap kit 8940 to mount upper cabinets to the vehicle side walls.

 **DANGER**

Danger of explosion. Do not use this product for storing or transporting flammables, explosives, hazardous materials, or hazardous waste, such as containers of gasoline, solvents, gun powder, dynamite, propane tanks, acetylene tanks and cutting torches. Failure to heed this warning will result in death or serious injury.

 **WARNING**

This product is only intended and safe for use in storing and transporting small tools, equipment and other similar materials. These instructions are to be followed using the parts and fasteners supplied for proper installation. Any modifications or improper installation of this product will create a hazardous condition that could result in death, serious personal injury and/or property damage.

All floor mounting bolts near the fuel tank area should be installed from the underside of the vehicle, to guard against the fuel tank being punctured in the event of a collision. This would mean not using Blind Fasteners in this area. Holes in this area should be 5/16". Ensure ample space in roof ribs and sidewall ribs for mounting screws so as not to puncture exterior roof or wall.

Do not install this product where it could interfere with deployment of air bags. Failure to comply could result in death or serious body injury.

 **CAUTION**

Prior to drilling, so as not to cut electric wires, fuel lines, brake lines, etc., check behind and underneath drilling and mounting locations. To keep debris out of your eyes when checking the underside of the vehicle, or when drilling, always wear protective eye wear. Failure to heed this warning will result in death or serious injury.

**– NOTICE –**

Any modification or unintended use of this product shall immediately void all manufacturers warranties. Manufacturer disclaims all liability for injuries to persons or property resulting from any modification to, or unintended use of this product.

