



VAN STORAGE SOLUTIONS

FOR THE WAY YOU WORK™

INSTALLATION MANUAL

Cab Command Center

Model Number 9012-3-01

ATTENTION: PLEASE READ AND UNDERSTAND ALL INSTRUCTIONS AND WARNINGS BEFORE ASSEMBLING, INSTALLING OR USING THIS PRODUCT.

! PLAN YOUR VAN (TIPS FOR FASTER INSTALLATION)

- Check fit of Cab Command Center side to side between the seats and front to back between the bulkhead and dashboard/console before drilling mounting holes.
- Before drilling for the blind fasteners, check for fuel tanks, fuel lines, brake lines, electric wires, etc. to avoid cutting or puncturing them.
- Power is faster — use an air or electric driver to assemble and install.

TOOLS REQUIRED

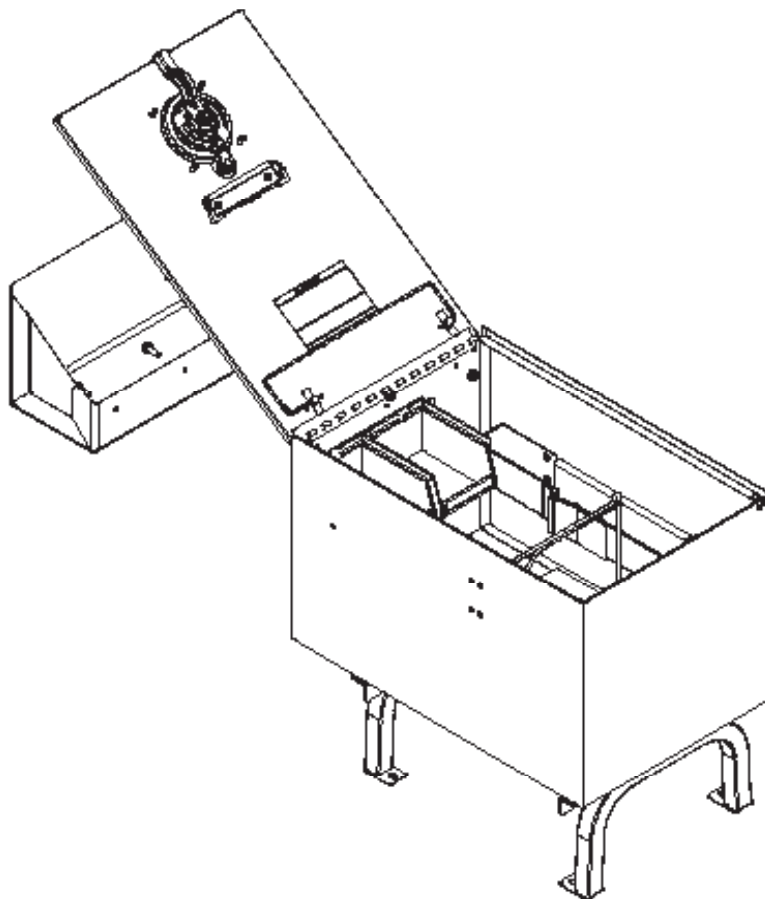
- 7/16 socket and driver
- 7/16 wrench
- 9/16 wrench
- drill, air or electric with 5/16 bit
- utility knife or 1-1/4" hole saw
- tape measure
- marker
- T-27 tamper-resistant (Torx®) bit
- TT-25 tamper-resistant six lobe(Torx®) bit

! CAUTION

Be safe - always wear protective eyewear to keep debris out of your eyes when installing WEATHER GUARD® Van Products.

BOLT KIT

DESCRIPTION	QTY.
Nut, 1/4-20 nylon insert lock nut	3
Bolt, 1/4-20 x 3/4" hex washer head	7
1/4-20x1/2" Tamper-resistant Torx®	4
Blind fastener, 1/4-20	4
1/4-20x1" Tamper-resistant Torx® mounting screw	4
Bolt, 1/4-20 x 2-1/4", black	1
Blind fastener installation tool	1
Washer, 1/4" Flat	5
Bolt, 1/4-20 x 1-1/4" hex washer head	4
Foam Strip	1





VAN STORAGE SOLUTIONS

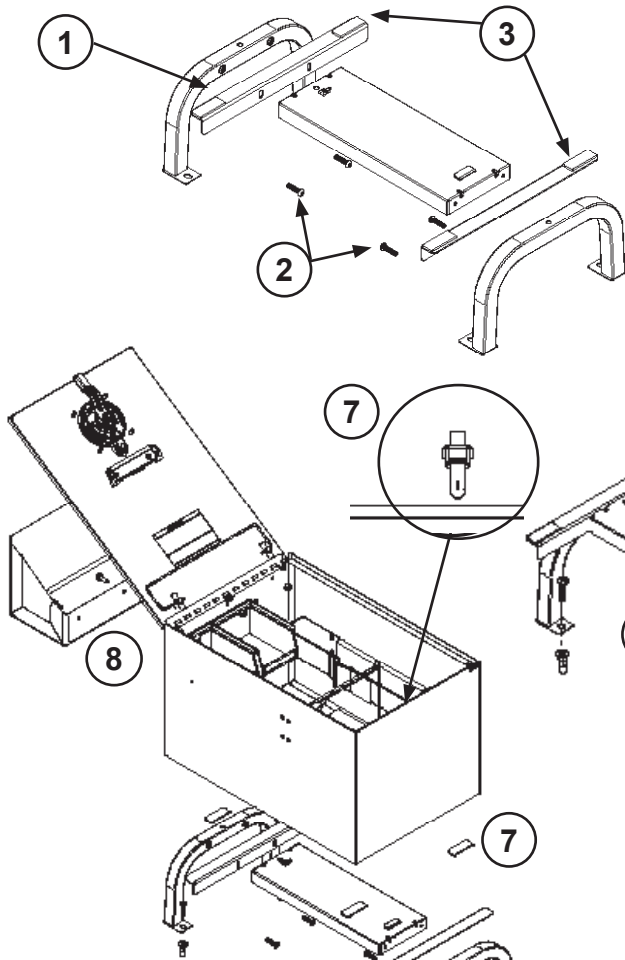
FOR THE WAY YOU WORK™

INSTALLATION MANUAL

Cab Command Center

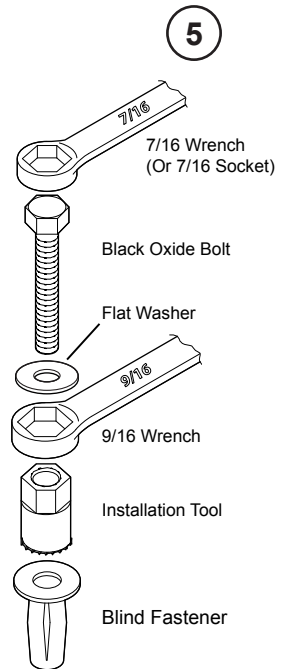
Model Number 9012-3-01

ATTENTION: PLEASE READ AND UNDERSTAND ALL INSTRUCTIONS AND WARNINGS BEFORE ASSEMBLING, INSTALLING OR USING THIS PRODUCT.



INSTALLING BLIND FASTENERS

Place a drop of oil on the black oxide bolt before assembling as shown on right. Place the Blind Fastener in the hole and use a 7/16 wrench to tighten black hex bolt until the Blind Fastener is fully seated. When setting black hex bolt, it will start out hard. As the Blind Fastener "bulbs" out it will get easier, until it bottoms out or sets. Make sure the Blind Fastener and Installation Tool do not turn during installation.



! WARNING

Prior to drilling, check under vehicle for fuel tanks, fuel lines, brake lines, electric wires, etc. to avoid cutting or puncturing them. Do not use Blind Fasteners in these areas.

INSTALLATION STEPS

- STEP 1.** When assembling mounting base, position the support braces between the mounting feet and the mounting plate.
- STEP 2.** Assemble mounting base legs to mounting base with 1/4-20 x 1/2" Tamper-resistant Torx® mounting Screws or the 1/4-20 x 3/4" Bolts.
- STEP 3.** After assembling the support braces and mounting feet to each end of the mounting plate, cut the adhesive backed foam strip into 2" pieces and attach a piece to each end of the support braces.
- STEP 4.** Locate mounting bracket between seats and mark the location for the mounting bolts. Allow clearance front to back and side to side.
- STEP 5.** Install four blind fasteners. Refer to the Instructions for Installing Blind Fasteners section.
- STEP 6.** Attach mounting bracket to van floor using the tamper-resistant Torx® bolts or the 1/4-20 x 1-1/4" Bolts.
- STEP 7.** Attach Cab Command Center to mounting base by slipping mounting tab on base into slot in Cab Command Center, align the latch tab from the base through the floor of the Cab Command Center and latch it to the base.
- STEP 8.** Attach map holder to the front of the Cab Command Center with three 1/4-20 mounting bolts and lock nuts.

 **DANGER**

Danger of explosion. Do not use this product for storing or transporting flammables, explosives, hazardous materials, or hazardous waste, such as containers of gasoline, solvents, gun powder, dynamite, propane tanks, acetylene tanks and cutting torches. Failure to heed this warning will result in death or serious injury.

 **WARNING**

This product is only intended and safe for use in storing and transporting small tools, equipment and other similar materials. These instructions are to be followed using the parts and fasteners supplied for proper installation. Any modifications or improper installation of this product will create a hazardous condition that could result in death, serious personal injury and/or property damage.

All floor mounting bolts near the fuel tank area should be installed from the underside of the vehicle, to guard against the fuel tank being punctured in the event of a collision. This would mean not using Blind Fasteners in this area. Holes in this area should be 5/16". Ensure ample space in roof ribs and sidewall ribs for mounting screws so as not to puncture exterior roof or wall.

Do not install this product where it could interfere with deployment of air bags. Failure to comply could result in death or serious body injury.

– NOTICE –

Any modification or unintended use of this product shall immediately void all manufacturers warranties. Manufacturer disclaims all liability for injuries to persons or property resulting from any modification to, or unintended use of this product.

