



VAN STORAGE SOLUTIONS

FOR THE WAY YOU WORK™

INSTALLATION MANUAL

Cab Command Center

Model Number 9010-3-01

! PLAN YOUR VAN (TIPS FOR FASTER INSTALLATION)

- Check fit of Cab Command Center side to side between the seats and front to back between the bulkhead and dashboard/console before drilling mounting holes.
- Before drilling for the blind fasteners, check for fuel tanks, fuel lines, brake lines, electric wires, etc. to avoid cutting or puncturing them.
- Power is faster — use an air or electric driver to assemble and install.

TOOLS REQUIRED

- 7/16 socket and driver
- 7/16 wrench
- 9/16 wrench
- drill, air or electric with 5/16 bit
- utility knife or 1-1/4" hole saw
- tape measure
- marker

! CAUTION

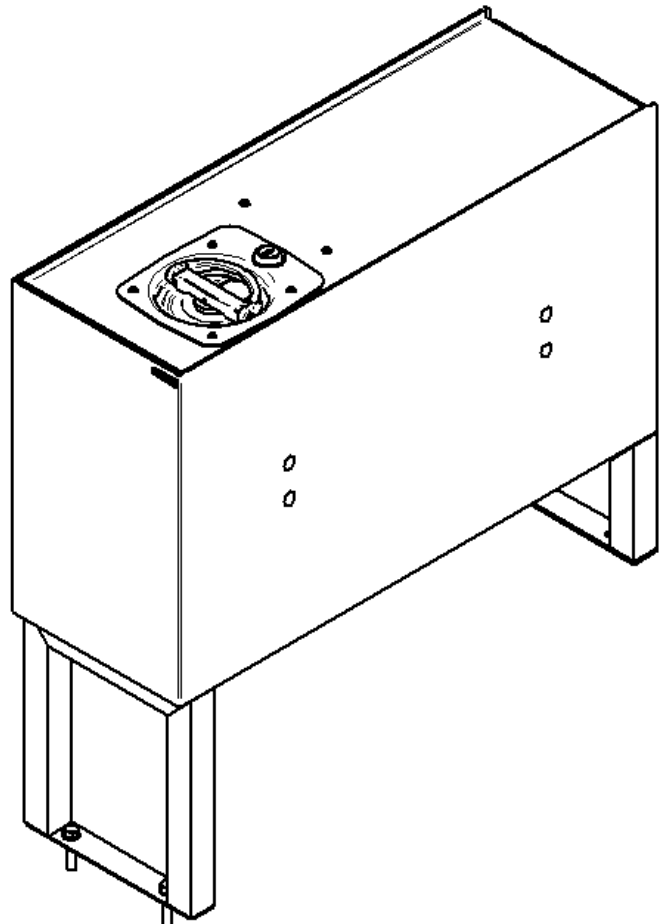
Be safe - always wear protective eyewear to keep debris out of your eyes when installing WEATHER GUARD® Van Products.

BOLT KIT

DESCRIPTION	QTY.
Bolt, 1/4-20 x 1 1/4" hex washer head (21-1092)	6
3/8" Spacer (21-0417)	2
Blind fastener, 1/4-20 (21-0029)	2
Adhesive backed rubber bumper	2
Washer 1/4" (21-0220)	1
Bolt, 1/4-20 x 2-1/4", black (21-0716)	1
Blind fastener installation tool (21-0711)	1

! WARNING

Prior to drilling, check under vehicle for fuel tanks, fuel lines, brake lines, electric wires, etc. to avoid cutting or puncturing them. Do not use Blind Fasteners in these areas.





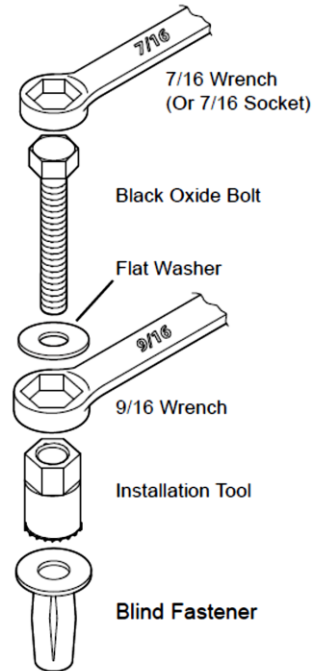
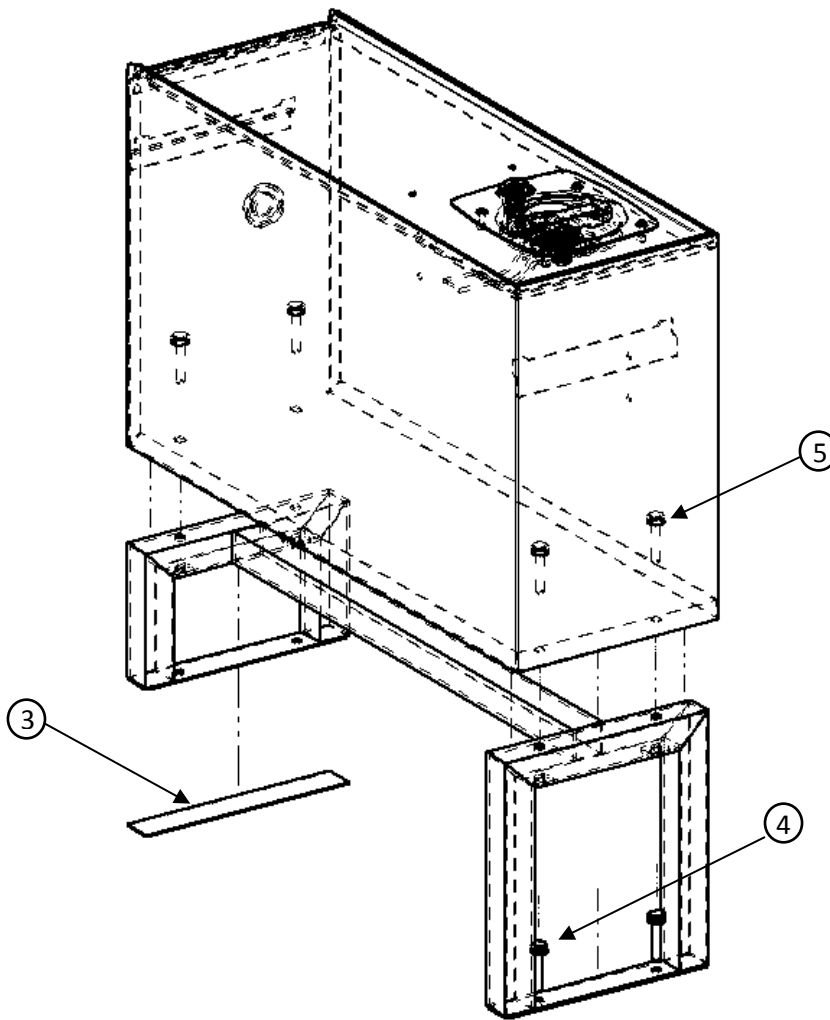
VAN STORAGE SOLUTIONS

FOR THE WAY YOU WORK™

INSTALLATION MANUAL

Cab Command Center

Model Number 9010-3-01



INSTALLING BLIND FASTENERS

Place a drop of oil on the black oxide bolt before assembling as shown on right. Place the Blind Fastener in the hole and use a 7/16 wrench to tighten black hex bolt until the Blind Fastener is fully seated. When setting black hex bolt, it will start out hard. As the Blind Fastener "bulbs" out it will get easier, until it bottoms out or sets. Make sure the Blind Fastener and Installation Tool do not turn during installation.

STEP 1. Position mounting base in cab between seats being careful not to place over grounding wire and and mark the location for the mounting bolts in the rear mounting foot.

STEP 2. Using 1" hole saw, cut access holes through floor mat. Using a 3/8" diameter drill bit, drill holes for blind fasteners and install blind fasteners using above instruction.

STEP 3. Remove backing from Velcro strip on front mounting foot. Install mounting base lining up holes with blind fasteners. Apply pressure to Velcro adhesive to ensure it adheres.

STEP 4. Bolt into place using provided 1/4-20 bolts. Use 3/8" spacers between the blind fastener and mounting foot to level cabinet.

STEP 5. Place cabinet on mounting base and fasten using (4) 1/4-20 bolts.

STEP 6. Attach adhesive backed rubber bumpers on each corner of lid near handle.



Danger of explosion. Do not use this product for storing or transporting flammables, explosives, hazardous materials, or hazardous waste, such as containers of gasoline, solvents, gun powder, dynamite, propane tanks, acetylene tanks and cutting torches. Failure to heed this warning will result in death or serious injury.



This product is only intended and safe for use in storing and transporting small tools, equipment and other similar materials. These instructions are to be followed using the parts and fasteners supplied for proper installation. Any modifications or improper installation of this product will create a hazardous condition that could result in death, serious personal injury and/or property damage.

All floor mounting bolts near the fuel tank area should be installed from the underside of the vehicle, to guard against the fuel tank being punctured in the event of a collision. This would mean not using Blind Fasteners in this area. Holes in this area should be 5/16". Ensure ample space in roof ribs and sidewall ribs for mounting screws so as not to puncture exterior roof or wall.

Do not install this product where it could interfere with deployment of air bags. Failure to comply could result in death or serious body injury.

Any modification or unintended use of this product shall immediately void all manufacturers warranties. Manufacturer disclaims all liability for injuries to persons or property resulting from any modification to, or unintended use of this product.