



INSTALLATION MANUAL

WORKTOP MODEL 8867

ATTENTION: PLEASE READ AND UNDERSTAND ALL INSTRUCTIONS AND WARNINGS BEFORE ASSEMBLING, INSTALLING OR USING THIS PRODUCT.



WARNING

These instructions are to be followed using the parts and fasteners supplied for proper installation. Any modifications or improper installation of this product will create a hazardous condition that can cause property damage, serious personal injury or death.

– NOTICE –

Any modification or unintended use of this product shall immediately void all manufacturers warranties. Manufacturer disclaims all liability for injuries to persons or property resulting from any modification to, or unintended use of this product.

Approximate Assembly and Installation Time:

20 min. (.3 hours) depending on van equipment installation experience.

PARTS

Item	Qty.	Description
A	1	Work Top
	1	Bolt Kit #32-0101

TOOLS REQUIRED

- Electric Drill
- Drill Bits: 13/32", 1/8"
- Open End Wrenches: 7/16", 9/16"

1 NOTE: The unit(s) this work top is to be mounted on, must be the correct width or properly spaced to accept the mounting method.

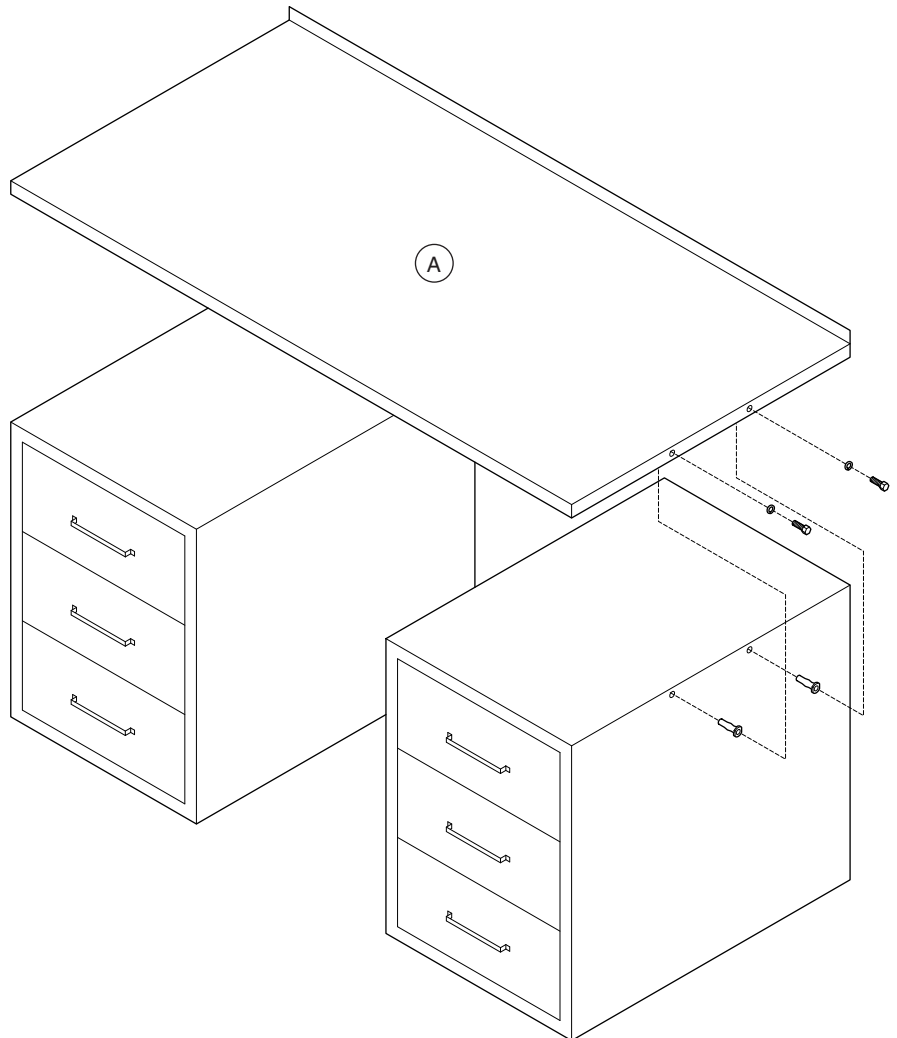
Place the Work Top in position and mark the center point of the bolt holes that will require fastening.



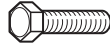
NOTE: Mark center of bolt hole carefully since an off-center Blind Fastener makes installation difficult.


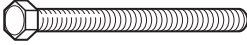
Remove work top and drill where marked with 1/8" drill bit for pilot holes. Redrill holes to enlarge them, using a 13/32" drill bit. Install Blind Fasteners. (See INSTALLATION INSTRUCTIONS FOR BLIND FASTENERS on page 2).

Attach Work Top using four (4) 1/4-20 x 3/4" Hex Head Bolts and 1/4" Lock Washers.

INSTALLATION IS NOW COMPLETE.



-  4 1/4-20 Blind Fasteners
-  4 1/4" Lock Washers
-  4 1/4-20 x 3/4" Hex Head Bolts

-  1 Blind Fastener Installation Tool
-  1 1/4-20 x 2-1/4" Hex Head Black Bolt

! CAUTION

To keep debris out of your eyes when drilling, always wear protective eyewear.

Place a drop of oil on the black oxide bolt before assembling as shown on right. Place the Blind Fastener in the hole and use a 7/16" wrench to tighten black hex bolt until the Blind Fastener is fully seated. When setting black hex bolt, it will start out hard. As the Blind Fastener "bulbs" out it will get easier, until it bottoms out or sets. Make sure the Blind Fastener and Installation Tool do not turn during installation.

INSTALLATION INSTRUCTIONS FOR BLIND FASTENERS

