

INSTALLATION INSTRUCTIONS

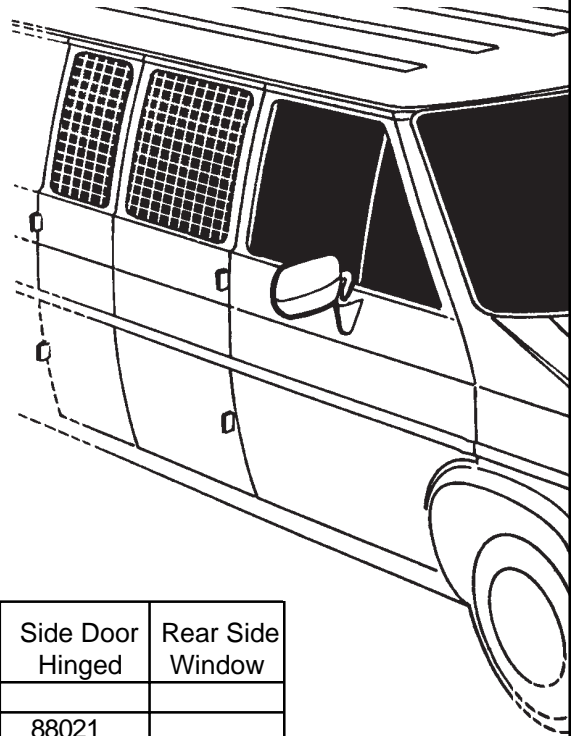
Van Window Screens

IMPORTANT BEFORE YOU BEGIN

Read these instructions and warnings completely before installation.

⚠ WARNING

This product can reduce the driver's ability to clearly see roadways, vehicular or pedestrian traffic and other objects through the rear and side windows of the vehicle, which can cause an accident. Extra precautions should be taken when driving a vehicle with this product. Make all adjustments necessary to ensure maximum visibility, including but not limited to, changing mirror and seating positions. State and local laws may prohibit obstruction of windows in a moving vehicle.



Van Type	Rear Door Hinged	Rear Door Hatch	Side Door Sliding	Side Door Hinged	Rear Side Window
FORD					
'92 Model Year & Newer-Full size	88022		88023	88021	
'91 Model Year & Older-Full size	88010		88010	88010	
'98 Model Year & Older Windstar		88024	88025		
'99 Model Year & Newer Windstar		88029	88030		
CHEVROLET					
'96 Model Year & Older G-Classic	88010		88010	88011	
'96 Model Year & Newer GMT 600	88028		88026	88027	
Astro	88014		88013		
'98 Model Year & Newer Venture		88033	88031		88032
GMC					
'96 Model Year & Older Vandura	88010		88010	88011	
'96 Model Year & Newer Savana	88028		88026	88027	
Safari	88014		88013		
DODGE					
'94 Model Year & Newer Ram	88010		88010	88010	
'94 Model Year & Older Caravan	88016	88017	88015		
PLYMOUTH					
'94 Model Year & Older Voyager	88016	88017	88015		

BOLT KITS Each Van Window Screen unit is shipped with matching bolt kit(s) which include:

MODELS	88013 88023 88015 88025 88017 88029 88033 88030	88011* 88031* 88016* 88032* 88021 * 88022 *	88024	88010* 88014*	88026 88027 88028	DESCRIPTION
BOLT KIT	32-8813	32-8813	32-8810	32-8810	32-8820	
QUANTITY	10	20	12	24	16	1/4-14x3/4" Self Drilling Screw
	10	20	12	24	16	1/4" Flat Washer

*- Includes two bolt kits

weather guard[®]

DIVISION OF KNAACK MFG. CO.

PARTS LIST

MODELS						DESCRIPTION	
	88013	88015	88033	88010	88011	88027	
	88017	88023		88014	88016	88028	
	88024	88025		88021		88031	
	88029	88030		88022	88026	88032	
Qty.	1			2			Screens

TOOLS REQUIRED

- Drill with 5/16" Hex Driver Bit or 5/16" Nut Driver
- Hacksaw or Wire Cutters
- File
- Pliers

NOTE

These Wire Window Screens are designed to fit in cargo areas of cargo vans. If your vehicle has interior window trim, it may require removal.

INSTALLATION INSTRUCTIONS

1. Align the Screen over the window frame and note areas where the screen may need trimming. Areas that may need trimming or bending are the Tabs and Latch. If you have window latches, open the latch to it's highest point and replace the screen to determine removal points. If trimming is required, be sure to file down any sharp edges after cutting.

CAUTION

To keep debris out of your eyes when trimming screen tabs or using self-drilling Tek screws, always wear protective eyewear.

2. Install the screen after proper alignment.

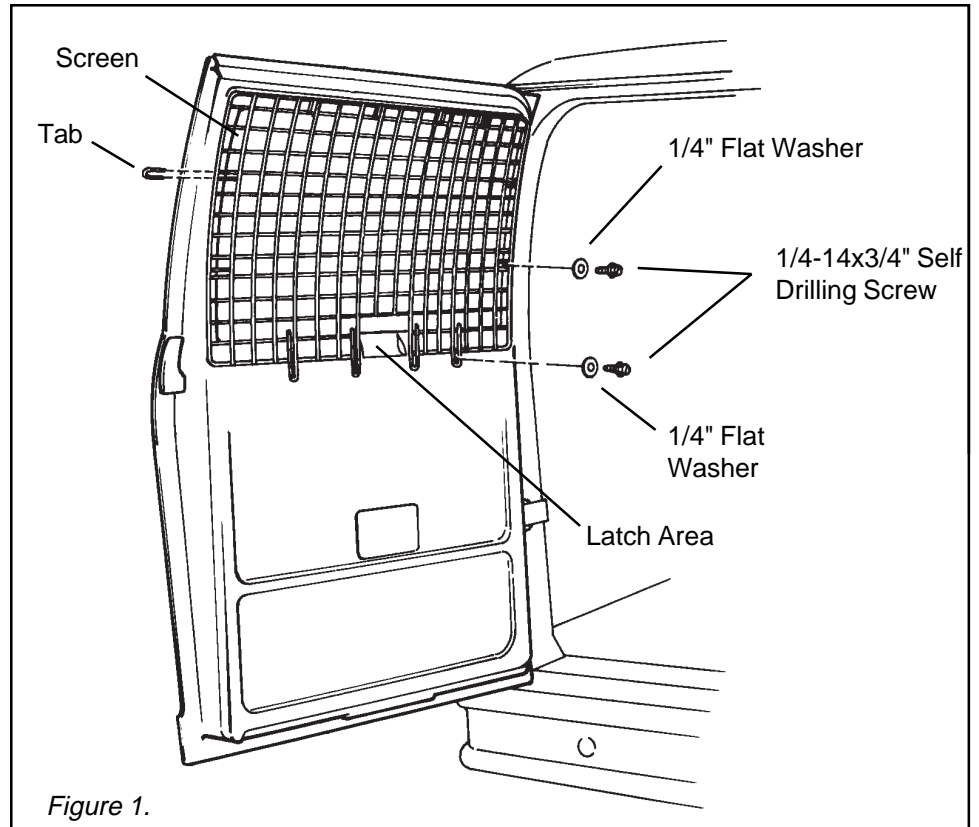


Figure 1.

NOTE - If tab removal was necessary, the screen can still be fastened by placing the screws to the inside of the outer framing as shown in Figure 2.

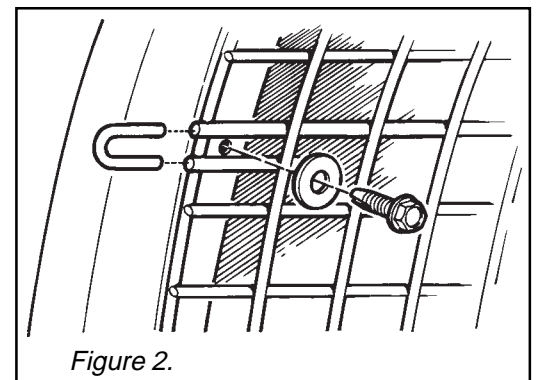


Figure 2.

- NOTICE -

Any modification or unintended use of this product shall immediately void all manufacturers warranties. Manufacturer disclaims all liability for injuries to persons or property resulting from any modification to, or unintended use of this product.