



TRUCK AND VAN EQUIPMENT

INSTALLATION INSTRUCTIONS

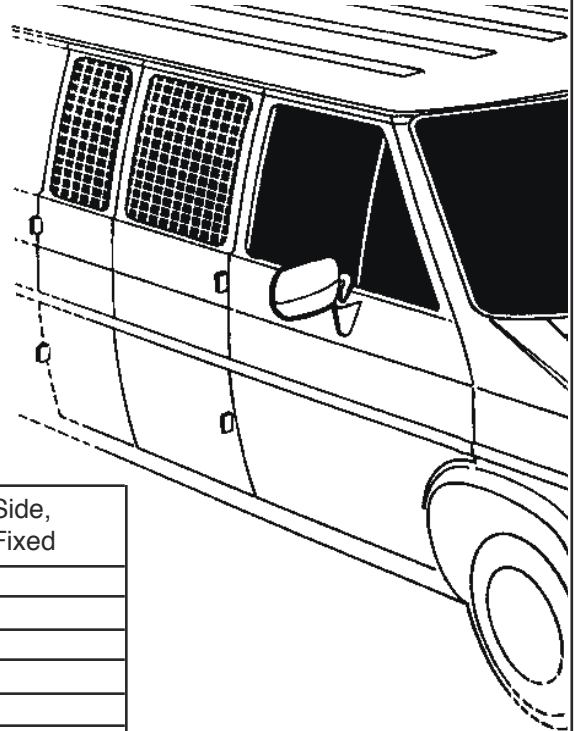
Van Window Screens

IMPORTANT BEFORE YOU BEGIN

Read these instructions and warnings completely before installation.

WARNING

This product can reduce the driver's ability to clearly see roadways, vehicular or pedestrian traffic and other objects through the rear and side windows of the vehicle, which can cause an accident. Extra precautions should be taken when driving a vehicle with this product. Make all adjustments necessary to ensure maximum visibility, including but not limited to, changing mirror and seating positions. State and local laws may prohibit obstruction of windows in a moving vehicle.



Van Type	Rear Door	Side Door, Sliding	Side Door, Hinged	Side, Fixed
Ford				
1992 & Newer E-Series	88022	88023	88021	
Transit Low-Roof	88060	88061	88064	
Transit Mid/High Roof	88062	88063		
2014 & Newer Transit Connect 105" WB	88054	88056		
2014 & Newer Transit Connect 120" WB	88054	88055		
Chevy/GM				
1996 & Newer GMT600	88028	88026	88027	
Dodge				
Ram ProMaster	88050	88051		88052
Mercedes				
2007 & Newer Sprinter	88041	88040		

MOUNTING HARDWARE INCLUDED

DESCRIPTION	88052	88023 88061	88063	88054	88055 88056 88060	88026 88028 88050 88062	88027 88040 88051 88064	88021 88022	88041
1/4-14 x 3/4" Self Drilling Screw	6	10	11	12	14	16	20	28	
1/4" Flat Washer	6	10	11	12	14	16	20	28	

PARTS LIST

DESCRIPTION	88023	88052	88021	88028	88055
		88040	88061	88022	88041
	88051	88063	88026	88050	88060
			88027	88054	88062 88064
Screen	1		2		

TOOLS REQUIRED

- Drill with 5/16" Hex Driver Bit or 5/16" Nut Driver
- Hacksaw or Wire Cutters
- File
- Pliers

INSTALLATION INSTRUCTIONS

1. Align the Screen over the window frame and note areas where the screen may need trimming. Areas that may need trimming or bending are the Tabs and Latch. If you have window latches, open the latch to it's highest point and replace the screen to determine removal points. If trimming is required, be sure to file down any sharp edges after cutting.

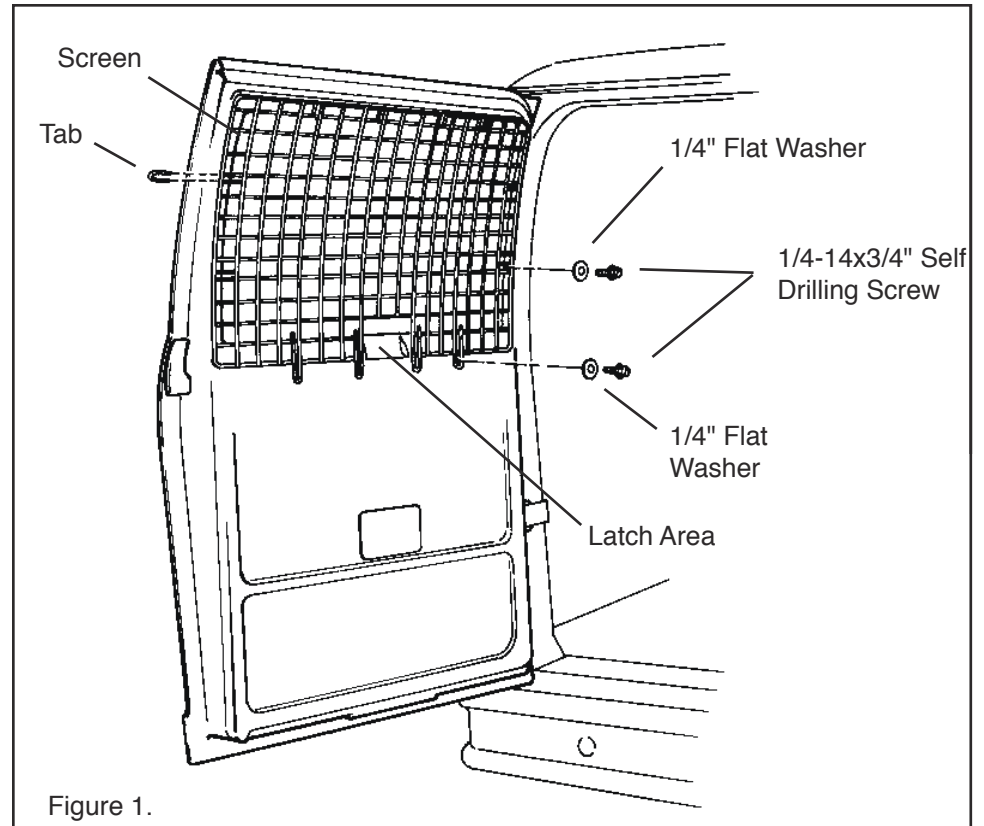


Figure 1.

NOTE - If tab removal was necessary, the screen can still be fastened by placing the screws to the inside of the outer framing as shown in Figure 2.

CAUTION

To keep debris out of your eyes when trimming screen tabs or using self-drilling Tek screws, always wear protective eyewear.

2. Install the screen after proper alignment.

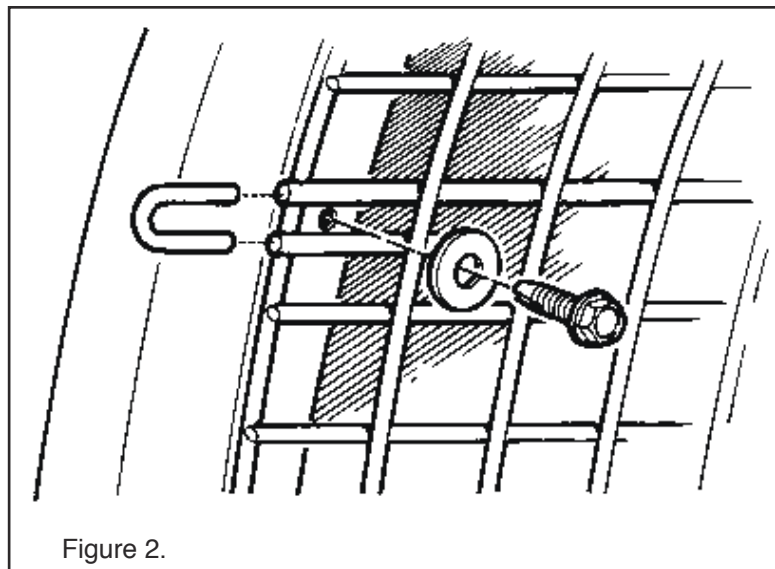


Figure 2.

 **WARNING**

This product is only intended and safe for use in storing and transporting small tools, equipment and other similar materials. These instructions are to be followed using the parts and fasteners supplied for proper installation. Any modifications or improper installation of this product will create a hazardous condition that could result in death, serious personal injury and/or property damage.

All floor mounting bolts near the fuel tank area should be installed from the underside of the vehicle, to guard against the fuel tank being punctured in the event of a collision. This would mean not using Blind Fasteners in this area. Holes in this area should be 5/16". Ensure ample space in roof ribs and sidewall ribs for mounting screws so as not to puncture exterior roof or wall.

Do not install this product where it could interfere with deployment of air bags. Failure to comply could result in death or serious body injury.

- NOTICE -

Any modification or unintended use of this product shall immediately void all manufacturers warranties. Manufacturer disclaims all liability for injuries to persons or property resulting from any modification to, or unintended use of this product.

