

ASSEMBLY AND INSTALLATION INSTRUCTIONS

E-Z Cube - Models 9400 • 8439 • 8440 • 8441 • 8442 • 9452

and E-Z Cube Dividers - Models 8401 & 8402

**Approximate Assembly and
Installation Time:**

E-Z Cubes; 48 min. per unit (0.8 hrs.)

8401 Dividers; 18 min. (0.3 hrs.)

8402 Dividers; 12 min. (0.2 hrs.)

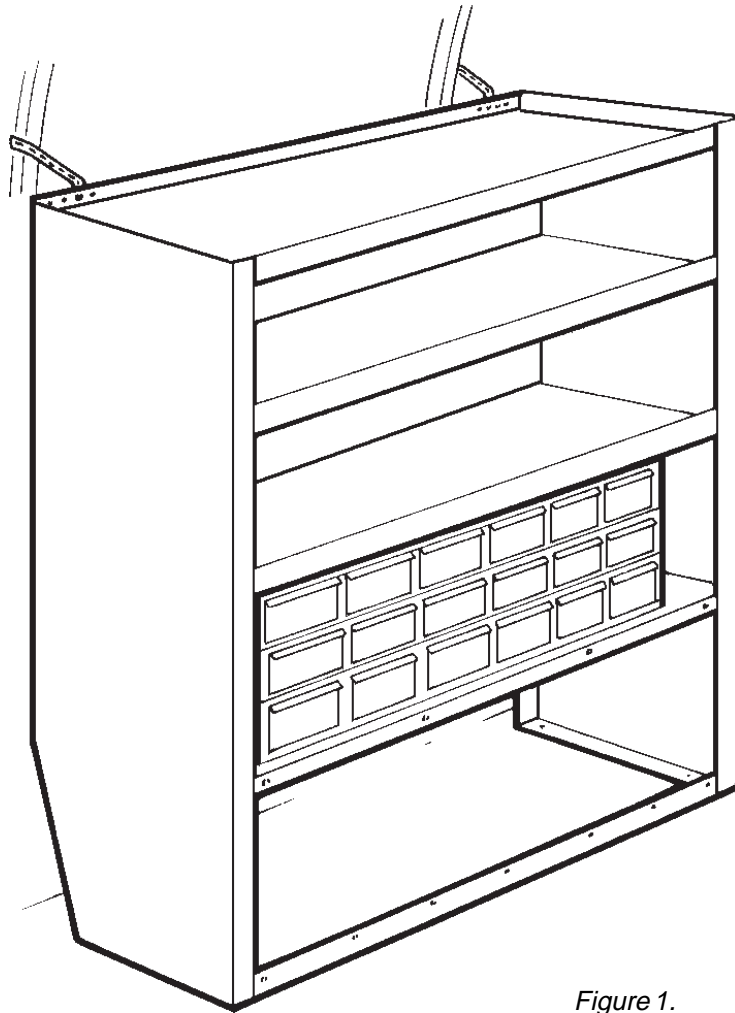


Figure 1.

**IMPORTANT
BEFORE YOU BEGIN**

Read these instructions and warnings completely before installation.

⚠ DANGER

Danger of explosion. Do not use this product for storing or transporting flammables, explosives, hazardous materials, or hazardous waste, such as containers of gasoline, solvents, gun powder, dynamite, propane tanks, acetylene tanks and cutting torches. This product is only intended and safe for use in storing and transporting small tools, equipment and other similar materials. Any modifications made to, or unintended use of this product, could create a hazardous condition that can cause death, serious personal injury or property damage.

weather guard[®]

DIVISION OF KNAACK MFG. CO.

E-Z CUBE PARTS LIST

- 1- Van Shelf Unit
- 1- 1-1/4" Wide Shelf Lip

8401 & 8402 PARTS LIST

- 4- Dividers (8402)
- 8- Dividers (8401)

TOOLS REQUIRED

- Screwdriver, phillips
- 7/16" Open or Box end wrench(2)
- 1/2" Open or Box end wrench
- Electric Drill
- 13/32" & 5/16" drill bits
- 9/16" Open or Box end wrench

NOTE - The table below allows you to match the model number kit you have purchased with the correct bolt kit and parts package contents.

MODEL	9400 8439 9452 8440 8441 8442	8401	8402	DESCRIPTION
BOLT KIT	32-8440	32-8401	32-0152	
	2	0	0	1-1/4" x 12" Mounting Strap
	10	16	8	1/4-20 x 5/8" Bolt, hex hd.
	14	16	8	1/4-20 Nylon Lock Nut
	4	0	0	1/4-20 x 1-1/4" Bolt, hex hd.
	2	0	0	1/4-20 x 3/4" Bolt, hex hd.
	10	0	0	1/4" Flat Washer
	3	0	0	1/4-20 Blind Fastener
	1	0	0	1/4-20 x 2-1/4" Bolt, blk ox.
	1	0	0	Installation Tool
	1	0	0	1/4" Lock Washer
	2	0	0	Mounting Angle

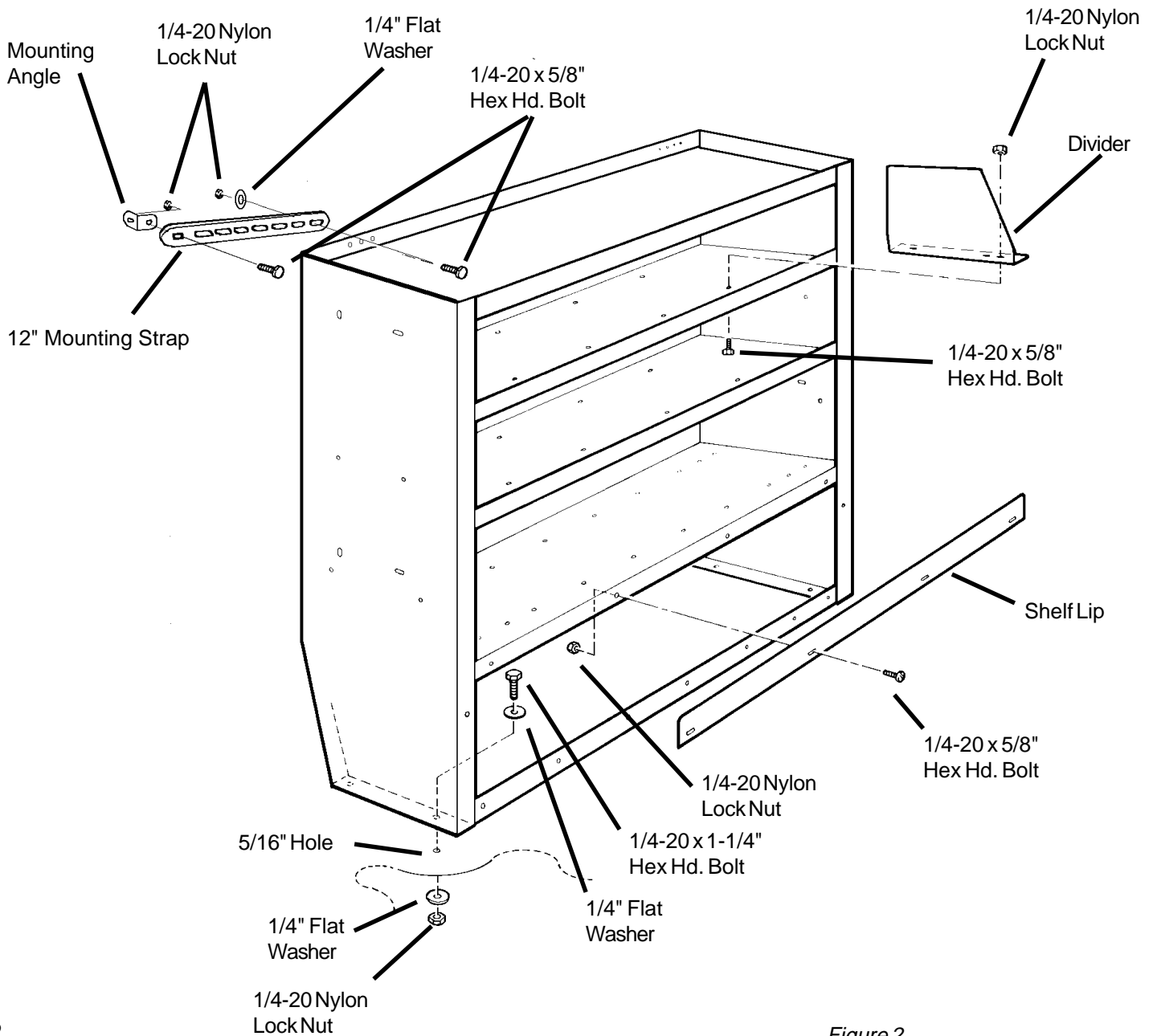


Figure 2.

INSTALLATION INSTRUCTIONS

1. Place the Van Cube into your selected position in the van, as close to the wall as possible. Mark the four floor mounting holes.

⚠ CAUTION

To keep debris out of your eyes when checking the underside of the vehicle, or when drilling, always wear protective eyewear.

⚠ CAUTION

Prior to drilling, so as not to cut or puncture fuel tanks, fuel lines, brake lines, electric wires, etc., check under vehicle for locations.

2. Remove the van cube and drill the four mounting locations with a 5/16" drill bit.

⚠ WARNING

All floor mounting bolts near the gas tank should be installed from the underside of the vehicle, to guard against the gas tank being punctured in the event of a collision.

NOTE: One extra Blind Fastener and one lock washer have been provided for use in areas where standard fasteners can't be used, such as heat shields and support channels. 1/4-20 Blind Fastener require a 13/32" hole.

3. Replace the unit in the vehicle and secure to the floor.

4. Two wall Mounting Straps and two Mounting Angles are provided. The Mounting Straps can be bent to any shape and/ or used with the Mounting Angles. The Mounting Strap should be attached to the upper portion of the unit in a manner that would minimize movement of the unit both front to rear and side to side.

5. Secure the top of the unit to the side channels of the van with two Mounting Straps (and Mounting Angles if needed). Fasten them at the upper rear corners of the unit and the other end to the channel by installing Blind Fasteners. (See the Blind Fastener installation instructions on the back page).

6. Secure the other end of the mounting strap to the installed Blind Fastener.

NOTE: If you are installing optional 8401 Bin Dividers with any drawer unit, install the dividers first, with the bolts installed from the underside of the shelf.

7. If no drawer unit is to be installed, fasten the lower Shelf Lip.

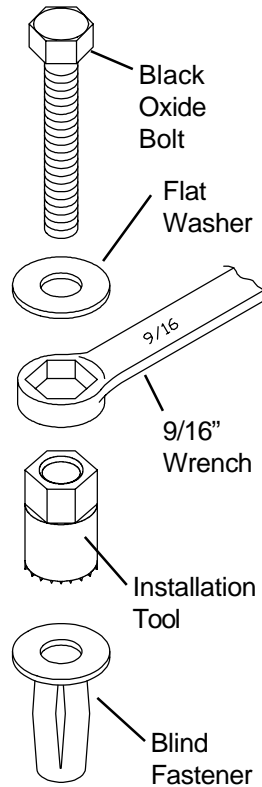
8. The side panels of the units have pre-punched holes conveniently located for installation of accessory items or to fasten to other shelf units for additional strength. Extra 1/4-20 x 5/8" bolts and lock nuts have been provided in the bolt kit for this purpose.

INSTALLATION PROCEDURE USING BLIND FASTENERS

⚠ CAUTION

Prior to drilling, so as not to cut or puncture fuel tanks, fuel lines, brake lines, electric wires, etc., check under vehicle for locations.

Place a drop of oil on the black oxide bolt before assembling as shown on right. Place the Blind Fastener in the hole and use a 1/2" or 7/16" wrench to tighten black hex bolt until the blind fastener is fully seated. When setting black hex bolt, it will start out hard. As the Blind Fastener "bulbs" out it will get easier, until it bottoms out or sets. Make sure the Blind Fastener and Installation Tool do not turn during installation.



-NOTICE-

Any modification or unintended use of this product shall immediately void all manufacturers warranties. Manufacturer disclaims all liability for injuries to persons or property resulting from any modification to, or unintended use of this product.

