

ASSEMBLY AND INSTALLATION INSTRUCTIONS

ITEMIZER® Aluminum Drawer Units

Models 314 • 316 • 317 • 318 • 326 • 327 • 328

IMPORTANT BEFORE YOU BEGIN

Read these instructions and warnings completely before installation.

Approximate Assembly and Installation Time:
48 min. per unit (0.8 hrs.)
Depending on Van equipment installation experience.

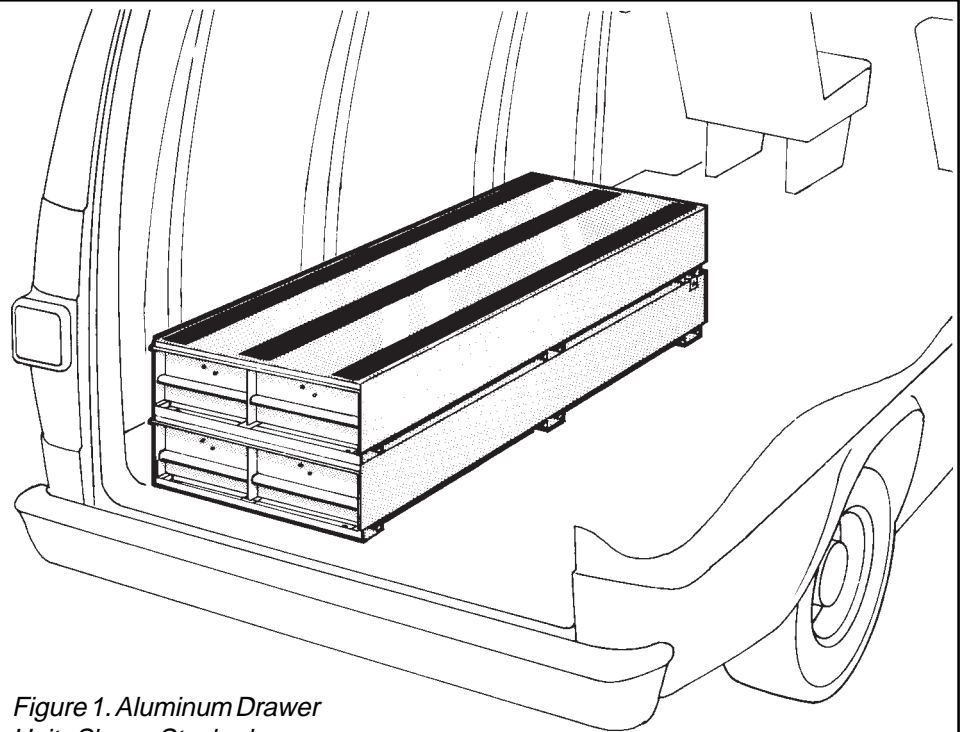


Figure 1. Aluminum Drawer Units Shown Stacked

BOLT KIT

Bolt Kit #32-0314 is provided with your Drawer Unit. Check this bolt kit to be sure the following parts are included:

Quan.	Description
6	1/4-20 x 3/4" Hex Hd. Bolt
4	1/4-20 Blind Fasteners
10	1/4" Flat Washers
6	1/4" Lock Washer, ext. tooth
1	1/4-20 x 2-1/4" Bolt, blk. ox.
1	Installation Tool
4	1/4-20 Nylon Lock Nuts

PARTS LIST

1- Drawer Unit
2- Mounting Brackets
6- Dividers (per drawer section)

⚠ DANGER

Danger of explosion. Do not use this product for storing or transporting flammables, explosives, hazardous materials, or hazardous waste, such as containers of gasoline, solvents, gun powder, dynamite, propane tanks, acetylene tanks and cutting torches. This product is only intended and safe for use in storing and transporting small tools, equipment and other similar materials. Any modifications made to, or unintended use of this product, could create a hazardous condition that can cause death, serious personal injury or property damage.

TOOLS REQUIRED

- Drill with 5/16" & 13/32" drill bits
- 7/16" Open or Box End Wrench (2)
- 9/16" Open or Box End Wrench

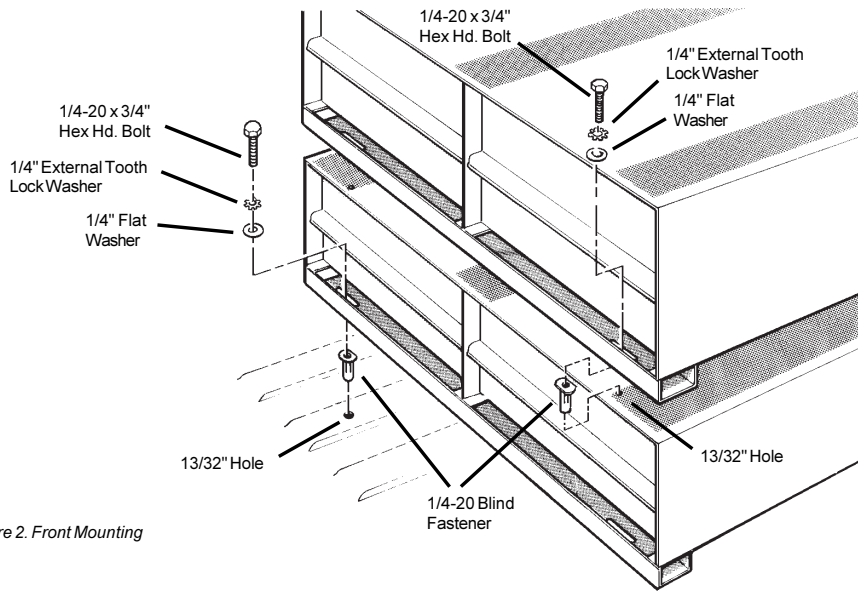


Figure 2. Front Mounting

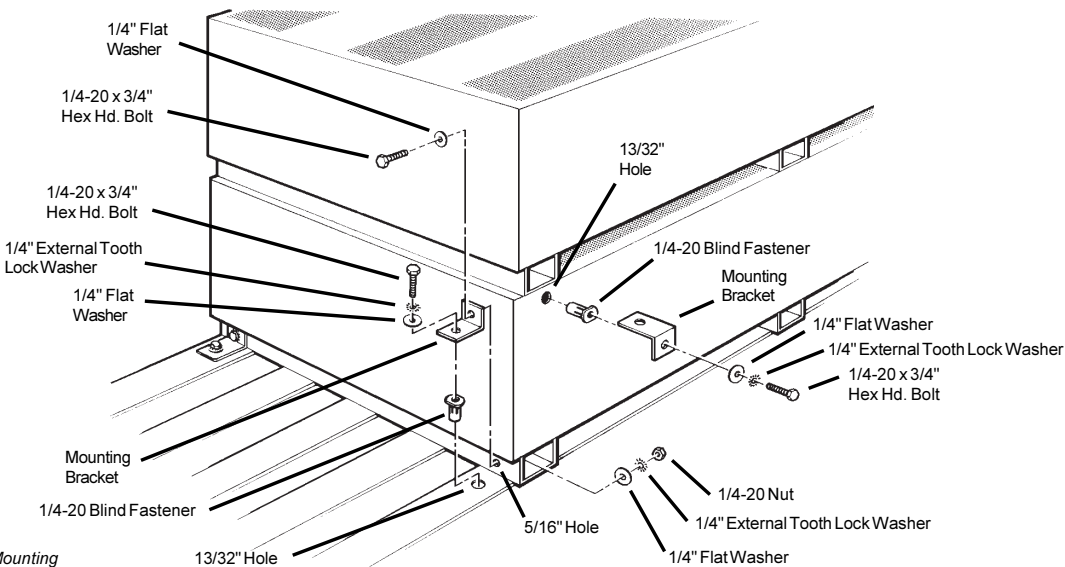


Figure 3. Rear Mounting

INSTALLATION INSTRUCTIONS

1. Position the lower Drawer Unit in the vehicle, making sure the obround holes in the front skids are on top of the floor ribs (as shown in Figure 2.). Mark the floor through the obround holes.
2. Go to the rear of the drawer unit (see Figure 3.) and place the Mounting Brackets, as shown, with the longest side against the top of the floor rib. Mark through both sets of holes to the floor and the rear skid.

⚠ CAUTION

To keep debris out of your eyes when checking the underside of the vehicle, or when drilling, always wear protective eyewear.

⚠ WARNING

Prior to drilling, so as not to cut or puncture fuel tanks, fuel lines, brake lines, electric wires, etc., check under vehicle for locations.

⚠ WARNING

All floor mounting bolts near the gas tank area should be installed from the underside of the vehicle, to guard against the gas tank being punctured in the event of a collision. This would mean not using Blind Fasteners in this area. Holes drilled in this area should be 5/16".

3. Remove the drawer unit, drill the marked locations floor ribs for installation of four Blind Fasteners. Follow Blind Fasteners installation instructions listed on the back page.
4. Drill the marked locations in the rear skid. Install the Mounting Bracket to the rear skid.
5. Replace the drawer unit into the vehicle and fasten.

STACKING INSTRUCTIONS

6. Place the upper Drawer Unit on top of the previously installed lower unit. Align with the front of the lower unit (see Figure 2.). Mark through the front skid obround holes to the lower unit.
7. Move the rear of the unit (see Figure 3) and place the long end of the Mounting Bracket into the open end of the rear skid. With the short end facing down, mark through the hole to the side of the lower unit.
8. Remove the upper drawer unit and drill the rear holes in the side of the lower unit. Drill the front skid holes and install Blind Fasteners.
9. Replace the upper unit and fasten.

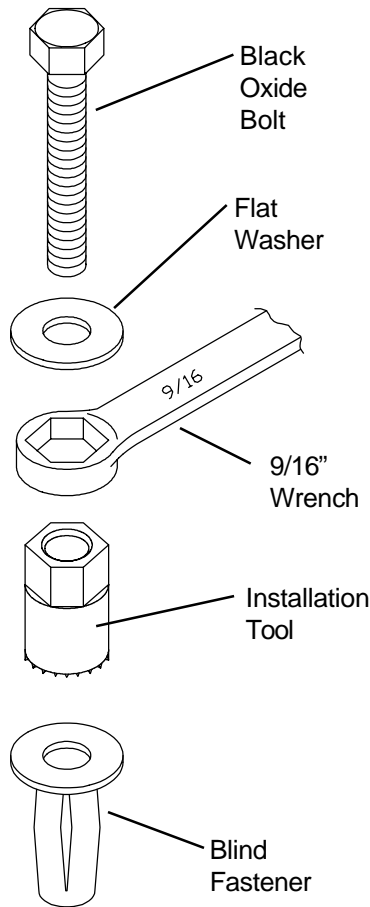
INSTALLATION PROCEDURE USING BLIND FASTENERS

⚠ WARNING

Prior to drilling, so as not to cut or puncture fuel tanks, fuel lines, brake lines, electric wires, etc., check under vehicle for locations.

NOTE - Be careful when drilling, or installing Blind Fastener, to ensure that there is enough clearance behind the surface so as not to damage the outer skin of the vehicle, roof members or vehicle components.

Place a drop of oil on the black oxide bolt before assembling as shown on right. Place the Blind Fastener in the hole and use a 1/2" or 7/16" wrench to tighten black hex bolt until the blind fastener is fully seated. When setting black hex bolt, it will start out hard. As the Blind Fastener "bulbs" out it will get easier, until it bottoms out or sets. Make sure the Blind Fastener and Installation Tool do not turn during installation.



-NOTICE-

Any modification or unintended use of this product shall immediately void all manufacturers warranties. Manufacturer disclaims all liability for injuries to persons or property resulting from any modification to, or unintended use of this product.

weather guard