



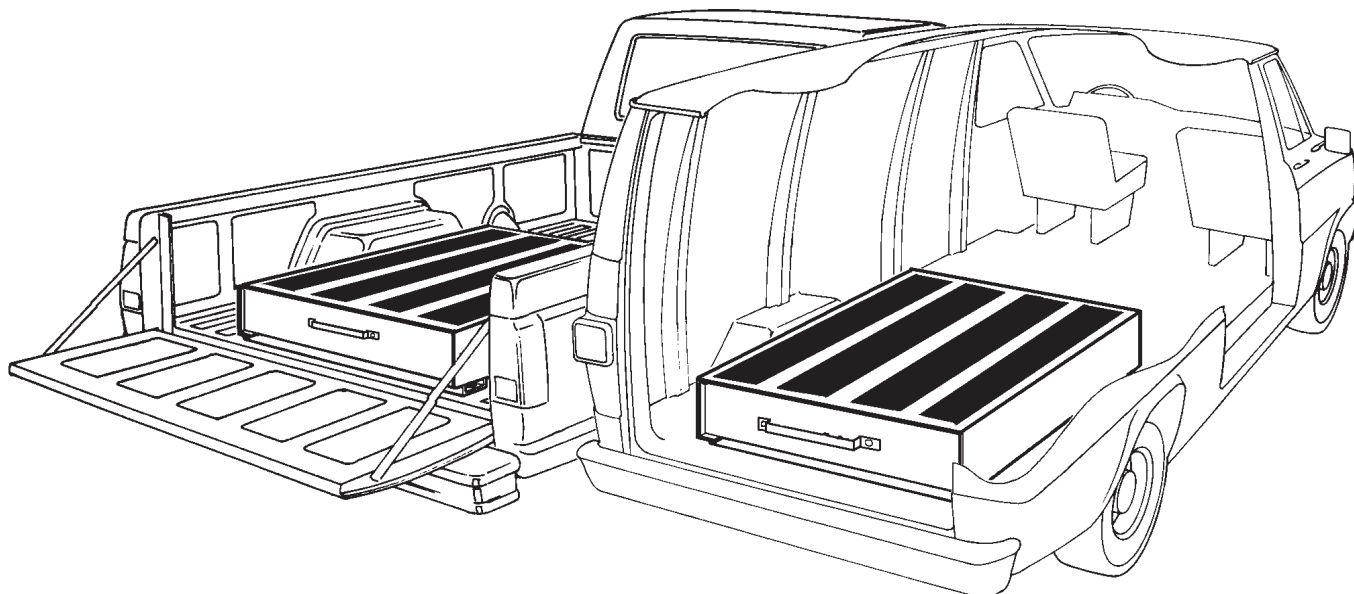
TRUCK AND VAN STORAGE SOLUTIONS
SECURING YOUR REPUTATION®

INSTALLATION MANUAL PACK RAT® DRAWER UNITS

ATTENTION: PLEASE READ AND UNDERSTAND ALL INSTRUCTIONS AND WARNINGS
BEFORE ASSEMBLING, INSTALLING OR USING THIS PRODUCT.

MODELS 300, 301-X, 302, 303-X, 304-X, 305-X, 306-X, 307-X, 308-X, 312-X, 334-X, 335-X, 336-X, 337-X, 338-X

Note: X represents the color code for your model: 3 = White | 5 = Black



▲ NOTICE

Use specific aluminum upfit components when installing WEATHER GUARD® products to aluminum truck beds. Follow additional instructions if mounting to an aluminum truck bed. There may be left over components depending on upfit.

Any modification or unintended use of this product shall immediately void all manufacturers warranties. Manufacturer disclaims all liability for injuries to persons or property resulting from any modification to, or unintended use of this product.

▲ DANGER

Danger of explosion. Do not use this product for storing or transporting flammables, explosives, hazardous materials, or hazardous waste, such as containers of gasoline, solvents, gun powder, dynamite, propane tanks, acetylene tanks and cutting torches. This product is only intended and safe for use in storing and transporting small tools, equipment and other similar materials. Any modifications made to, or unintended use of this product, could create a hazardous condition that can cause death, serious personal injury or property damage.

▲ WARNING

Prior to drilling, so as not to cut or puncture fuel tanks, fuel lines, electric wires, etc., check under vehicle for locations. All floor mounting bolts near the gas tank area should be installed from the underside of the vehicle, to guard against the gas tank being punctured in the event of a collision. This would mean not using Blind Fastener in this area. Holes drilled in this area should be 3/8".

▲ CAUTION



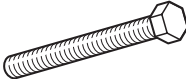


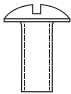

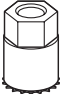


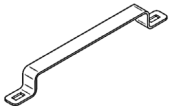
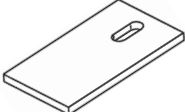
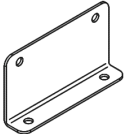
To keep debris out of your eyes when checking the underside of the vehicle, or when drilling, always wear protective eyewear.

Some of the larger drawers would best be handled by two people, so as not to cause injury to your person.



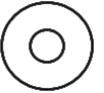
TOOLS REQUIRED

- Screwdriver (common)
- Electric Drill
- Drill Bits - 3/8" & 1/2"
- 1/2" Open or Box End Wrench
- 9/16" Open or Box End Wrench
- Ratchet Wrench
- 1/2" Socket

PARTS LIST

 (4) 5/16-18 x 1" Hex Head Bolt	 (6) 5/16-18 x 1-1/2" Hex Head Bolt	 (1) 5/16-18 x 2-1/4" Black Oxide Bolt	 (6) 5/16" Lock Washer	 (10) 5/16" Flat Washer
 (2) 5/16-18 x 3/4" Truss Head Screw	 (6) 5/16-18 Blind Fastener	 (1) Installation Tool	 (4) 5/16-18 Nylon Lock Nut	 (2) 5/16-18 Whiz Lock Nut
 (1) Handle	 (4) Mounting Plates	 (1) Rear Mounting Bracket		

ALUMINUM BED UPFIT KIT PARTS LIST - 32-0244

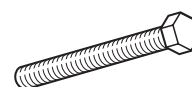
 (4) Vinyl Tape	 (1) Zinc Rich Primer	 (28) 1/2" x 1" Plastic Washer	 (4) 11/32" x 7/8" Plastic Washer	
--	--	---	--	--

BLIND FASTENER INSTALLATION

Place a drop of oil on black oxide bolt for lubrication before assembling.

Place the Blind Fastener in the hole and use 1/2" or 7/16" wrench to tighten black oxide bolt until fastener is fully seated (it will start out hard and get easier as fastener "bulbs" out).

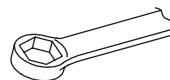
Make sure the Blind Fastener and Installation Tool do not turn during installation.



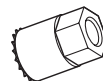
Black Oxide Bolt



Flat Washer



9/16" Wrench



Installation Tool



Blind Fastener

ALUMINUM TRUCK BED INSTALLATION

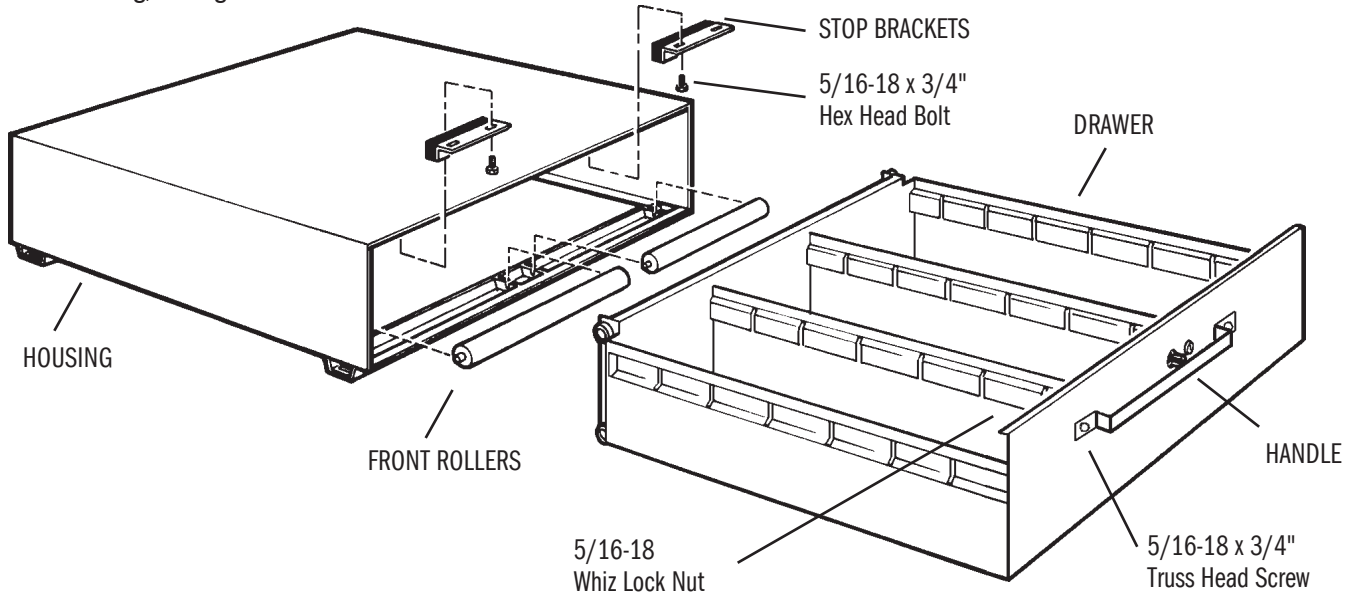
Coat drilled holes with Zinc Rich Primer. Insert Blind Fastener through one 1/2" x 1" plastic washer. Insert Blind Fastener into drilled hole. Place second 1/2" x 1" plastic washer through the bottom of the Blind Fastener. Continue following installation instructions above to install Blind Fasteners.

INSTALLATION INSTRUCTIONS

Note: If your truck bed is constructed of aluminum, use zinc rich primer to coat drilled holes.

STEP 1 Drawer Removal

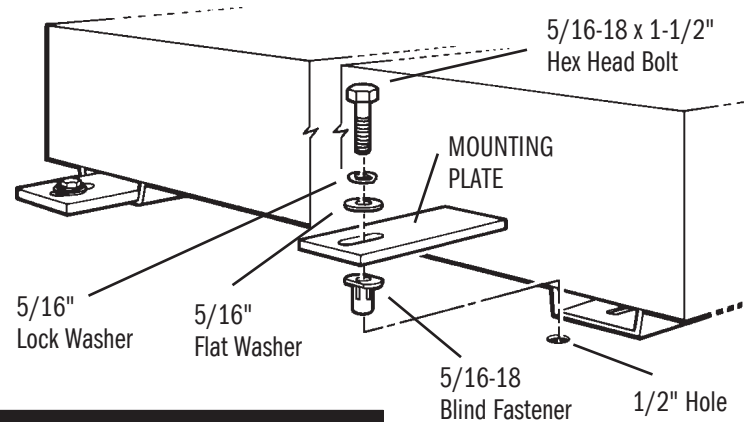
Open the drawer until it reaches the internal stop brackets. Remove the stop brackets from each upper inside location. Put the brackets and bolts into the drawer for later installation. Install the drawer handle. Carefully pull the drawer completely out of the housing, setting it aside. Lift out the front rollers.



STEP 2 Drawer Installation (preferred)

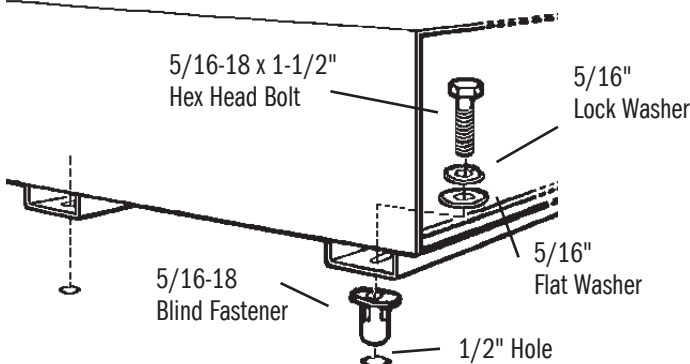
Place the housing in position. Slide a mounting plate into each open end of the front and rear skids, but no farther than the leading edge of the slotted hole in the mounting plate. Mark through the hole for drilling. See Blind Fastener Installation Instructions and cautions before drilling. With Blind Fasteners installed, secure by placing the mounting plate as you had for marking.

Note: Follow figure to the right as a guide.



ALUMINUM TRUCK BED INSTALLATION:

Follow additional instructions if mounting to an aluminum truck bed as explained in the Blind Fastener Installation on page 2.



STEP 2A Drawer Installation (alternate)

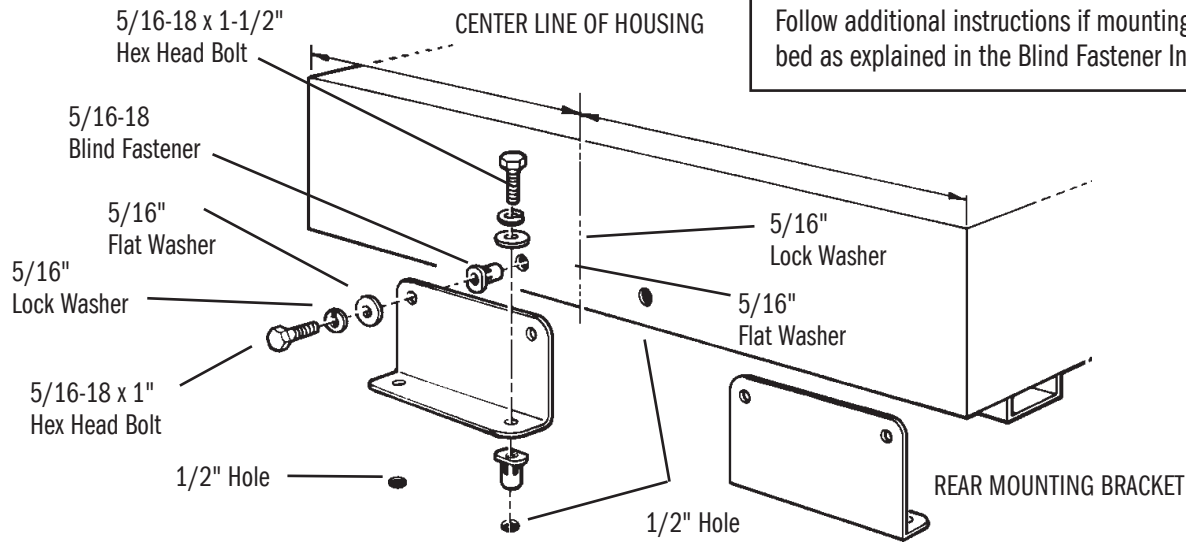
Place the housing into the position, and mark through the outer slotted holes of each skid. Remove the housing and read the Blind Fastener Installation Instructions and cautions before drilling each of the hole locations. With all Blind Fasteners installed, secure the housing. Reinstall the drawer to the unit by reversing the removal steps shown.

STEP 2B Rear Mount Bracket Installation (alternate)

If space is critical and/or for some reason you cannot mount the rear in either the preferred method or use the mounting plates at the rear, you may use the rear mounting bracket. Locate the center line of the housing and place the bracket flush against the back and flush to the floor. If necessary, you may turn the bracket so the floor flange is under the rear overhang of the housing. Hole marking will be more difficult. Mark **only the two floor holes** for drilling. See Blind Fastener Installation Instructions and cautions before drilling. With Blind Fasteners installed, fasten the bracket to the floor. Mark and drill holes on the back of the housing for Blind Fastener installation. With Blind Fasteners installed, replace the housing and secure to the bracket.

ALUMINUM TRUCK BED INSTALLATION:

Follow additional instructions if mounting to an aluminum truck bed as explained in the Blind Fastener Installation on page 2.



STEP 3 Stacking PACK RAT® Drawer Units

Note: · Do not install bolts in the rear of the upper housing at this time.

- See Inset below for installation details. Do not use outer-most obround holes, fasteners would obstruct lower unit drawer travel. When stacking PACK RAT® units in an open vehicle, apply sealant (local purchase) to drilled holes in the drawer unit bodies.

With the lower PACK RAT® unit properly bolted in place, mount the rear mounting bracket to the top rear edge of the unit as shown. The bracket will be mounted to the bottom first. Put the upper PACK RAT® unit in position on top of the lower and mark the back mounting holes for blind fastener installation. With the upper housing in proper bolting position (with drawer and rollers removed), mark through inner two obround holes in the front mounting skid for Blind Fastener installation. With front Blind Fasteners installed, fasten the upper housing to the lower.

