

ASSEMBLY AND INSTALLATION INSTRUCTIONS

KNAPHEIDE UTILITY VAN (KUV) MODEL 2505

MOUNTING BRACKET ACCESSORY

Installation time will be in conjunction with the Model 281,282,283, or 254

IMPORTANT BEFORE YOU BEGIN

Read these instructions and warnings completely before installation.

TOOLS REQUIRED

- (2) 1/2" Open or Box End Wrench
- Electric Drill
- Tape Measure
- .343 dia. Drill Bit

⚠ WARNING

This product is only intended for, and only safe for, transporting ladders, lumber, pipe and other similar materials. It is the responsibility of the user to secure these materials to the rack before transporting. Any modifications made to this product, or use of this product for any other purpose than its intended use, could create a hazardous condition that can cause serious personal injury or property damage.

MOUNTING HARDWARE

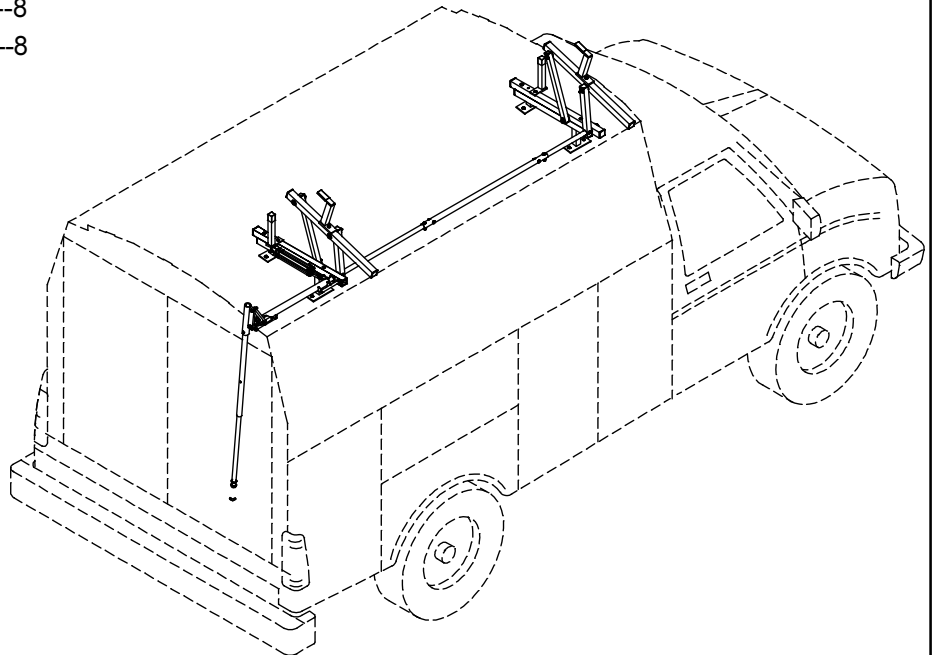
Description	Qty.
• 3" x 7" Rubber Pad-----	4
• 5/16-18 x 1-1/4" Hex Head Bolt-----	8
• 5/16-18 Nylon Lock Nut-----	8
• 5/16 Bonded Steel/Rubber Washer-----	8
• Fender Washer-----	8

CAUTION

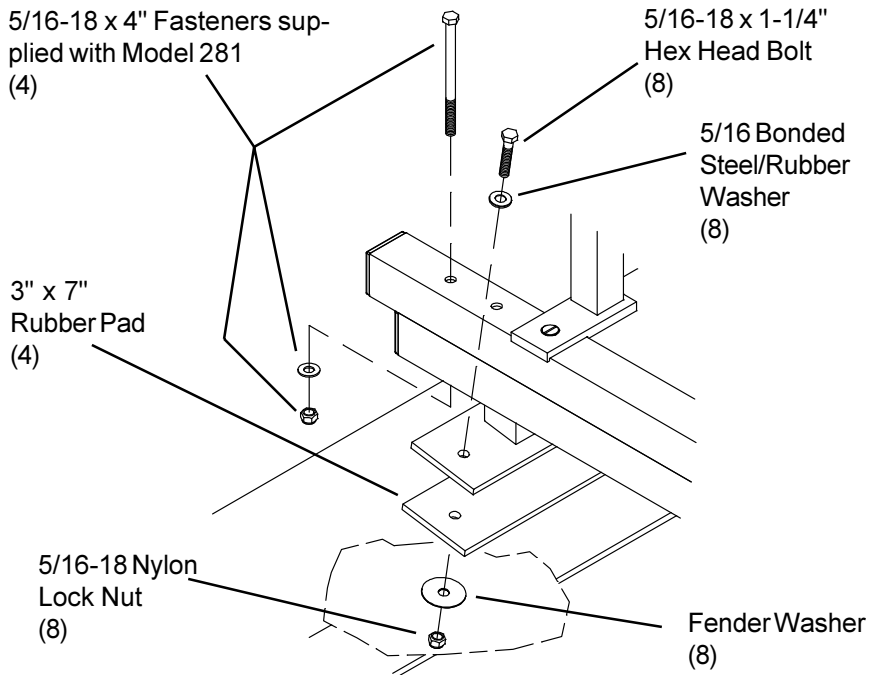
Load should be approximately centered front to rear on all vehicles. Failure to do this will cause damage to the vehicle roof.

⚠ WARNING

Ladders must be secured per ANSI standard A142.2-1990 paragraph 8.4.4. Ladder damage will occur from road shock and vehicle vibration if the ladder is not properly secured to the ladder rack. Bouncing and side to side motion of a improperly secured ladder will cause wear and weaken the ladder. Using a damaged ladder could lead to a structural collapse and could result in a serious injury or death.



weather guard[®]

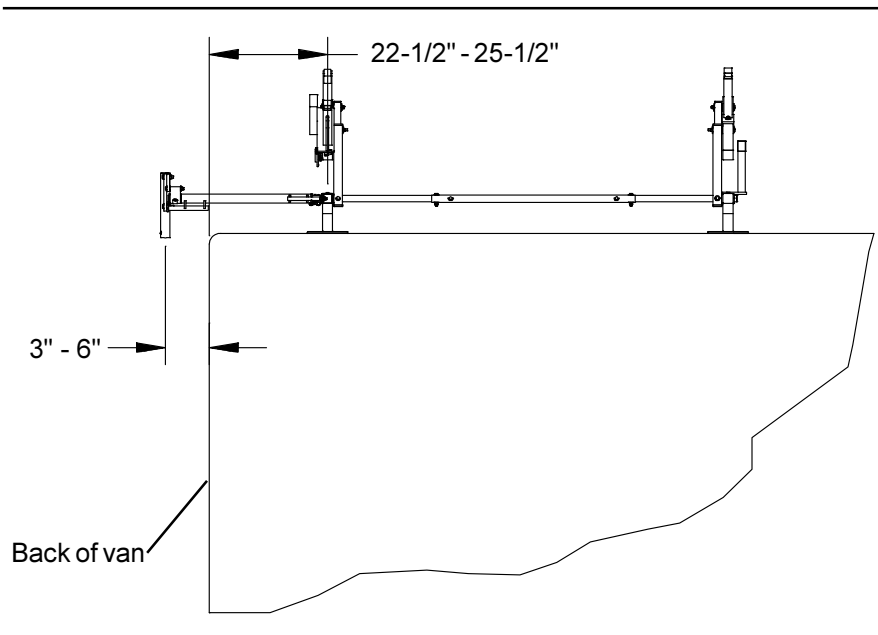


NOTE: Follow the instruction manual, supplied with the Hi Cube ladder rack, up to the "Vehicle Mounting Procedure" section. Read and have an understanding of both the instructions listed below and the steps in the "Vehicle Mounting Procedure" section in order to mount the ladder rack to the KUV.

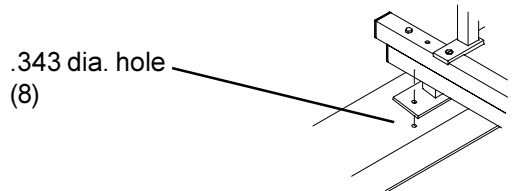
- 1.) Use the 5/16-18 x 4" fasteners (supplied with the Hi Cube ladder rack bolt kit) to connect the rack assembly to the KUV Mounting Bracket.
- 2.) Position the rack assembly on the KUV roof. Keep the 3" to 6" clearance between the handle and the back of the body (As shown below left).
- 3.) Set the mounting feet approximately 2" from the top edge of the roof.

⚠ CAUTION

To keep debris out of your eyes when drilling, always wear protective eyewear.



- 4.) Mark (8) .343 dia. holes using the mounting feet as a template, then drill.



- 5.) Place unit on the vehicle with one rubber pad under each mounting foot. Tighten all fasteners.
- 6.) Continue with the "Ladder and Cylinder Adjustments" section of the Hi Cube instruction manual.

- NOTICE -

Any modification or unintended use of this product shall immediately void all manufacturers warranties. Manufacturer disclaims all liability for injuries to persons or property resulting from any modification to, or unintended use of this product.

