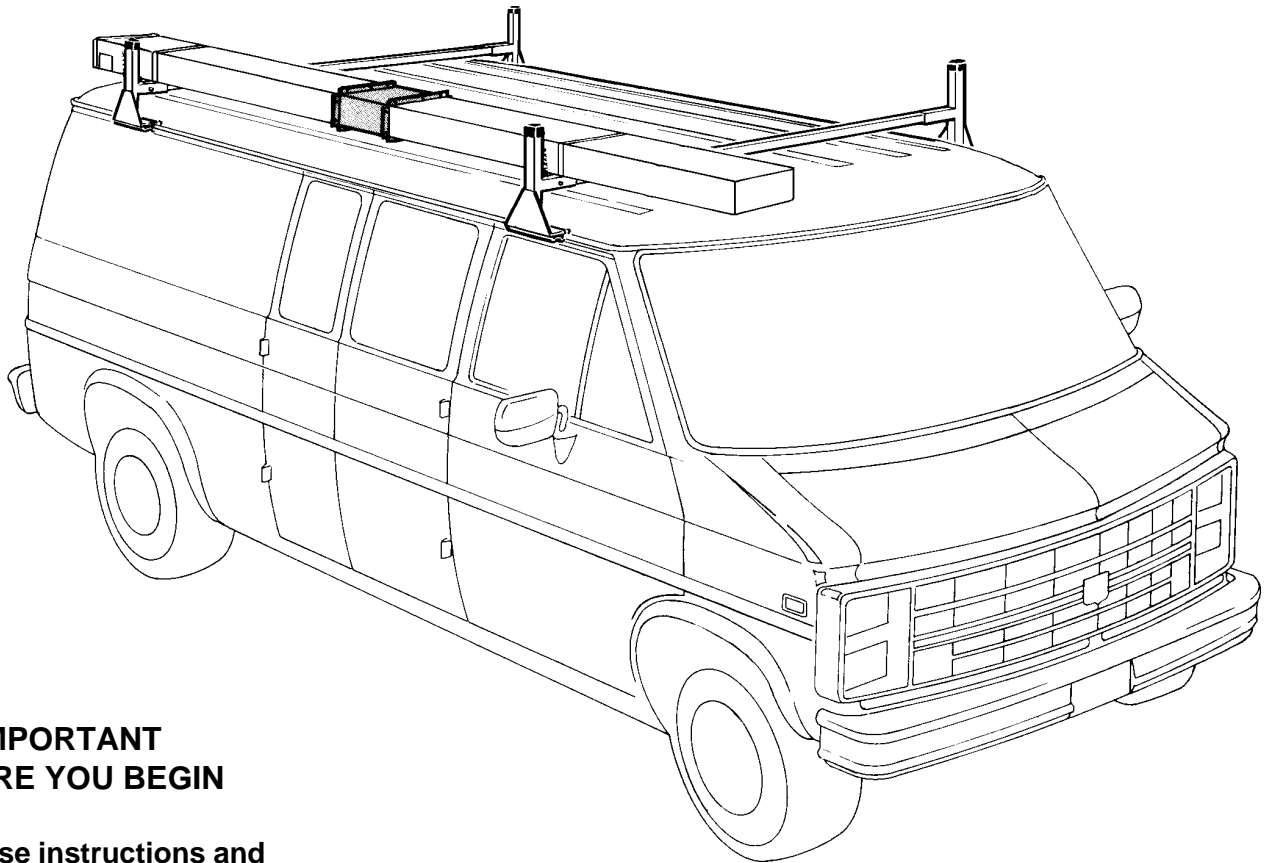


ASSEMBLY AND INSTALLATION INSTRUCTIONS

Conduit Carrier 6" Extension - Model 238



IMPORTANT BEFORE YOU BEGIN

Read these instructions and warnings completely before installation.

BOLT KIT

Bolt Kit #32-0236 is provided with your extension. Check this bolt kit to be sure the following parts are included:

Quan.	Description
10	1/4-20 x 3/4" Hex Hd. Bolt
20	1/4" Flat Washer
10	1/4-20 Nylon Lock Nut

⚠ WARNING

This product is only intended for, and only safe for, transporting tubing, pipe and conduit. It is the responsibility of the user to secure these materials to the rack before transporting. Any modifications made to this product, or use of this product for any other purpose than its intended use, could create a hazardous condition that can cause serious personal injury or property damage.

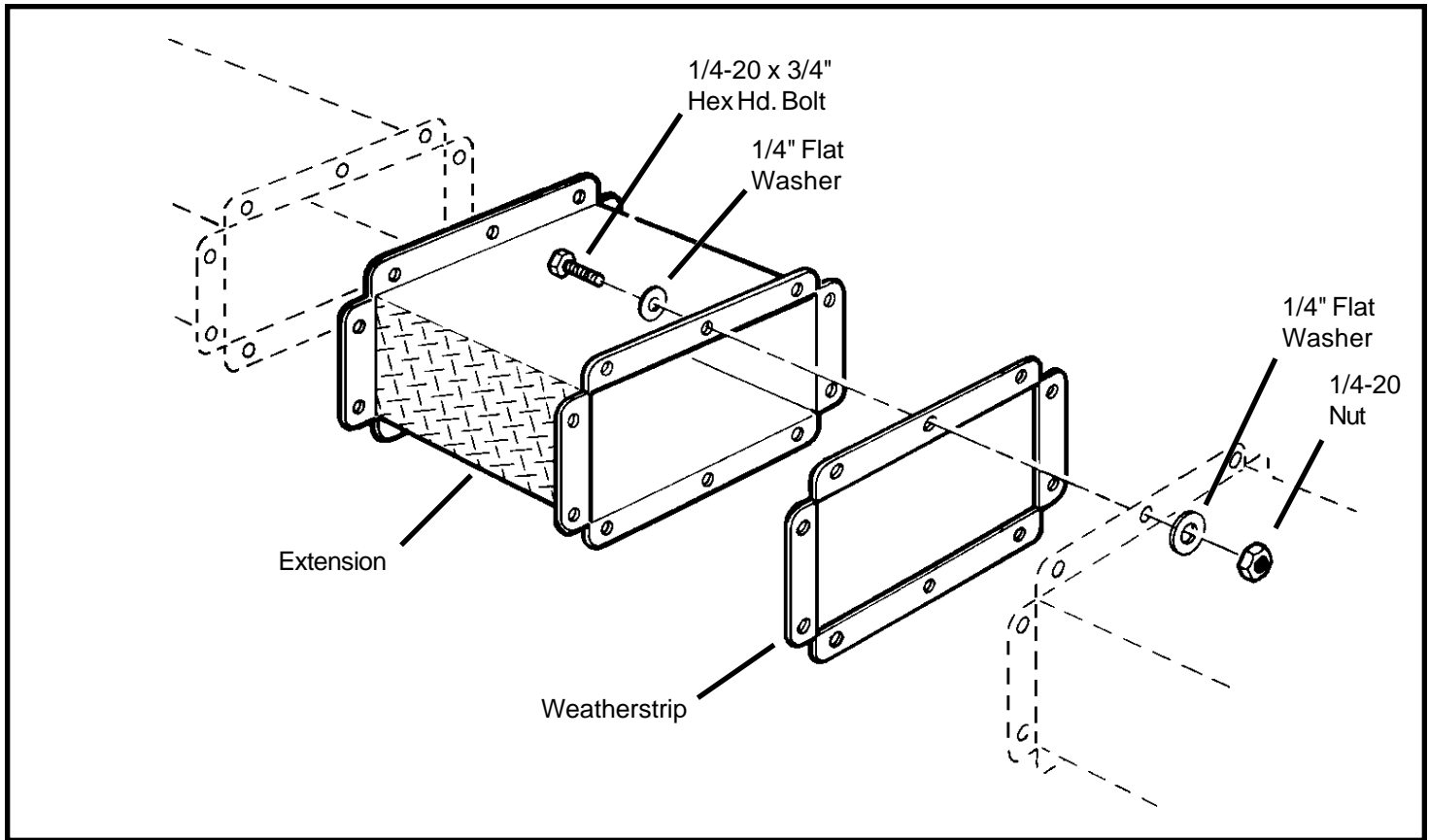
TOOLS REQUIRED

- 7/16" Open or Box End Wrench (2)
- Razor knife or scissors

PARTS LIST

- Conduit Carrier Extension
- Weatherstripping (bulk)





INSTALLATION INSTRUCTIONS

If installing this extension accessory on a newly purchased Model 237 Conduit Carrier, go directly to step A.

1. Loosen the front hold down strap on your 237 Conduit Carrier where it fastens onto the crossmember.

2. Support both front and rear conduit carrier sections where they will part. Remove nuts and bolts holding the two halves and set them aside for reuse later.

3. Cut sealing gaskets from Bulk Weatherstripping and attach to extension end. One carrier end should already have weatherstrip in place.

4. Insert extension between carrier halves and reinstall previously removed nuts and bolts.

5. Slide front half of carrier back to meet front of extension and bolt together.

6. Refasten front carrier hold down strap and your job is complete.

A. When adding this extension to your conduit carrier during initial assembly, insert between the front and rear halves and fasten during Step 6 of the Model 237 instruction sheet.

Note - It is normal for the product to get a dull gray color due to oxidation.

-NOTICE-

Any modification or unintended use of this product shall immediately void all manufacturers warranties. Manufacturer disclaims all liability for injuries to persons or property resulting from any modification to, or unintended use of this product.

