



VAN STORAGE SOLUTIONS
FOR THE WAY YOU WORK™

INSTALLATION MANUAL

PROMASTER MOUNTING CHANNEL KIT (2115-0-01)

ATTENTION: PLEASE READ AND UNDERSTAND ALL INSTRUCTIONS AND WARNINGS BEFORE ASSEMBLING, INSTALLING OR USING THIS PRODUCT.

TOOLS REQUIRED

- 1/2 in Wrench/ Socket
- Socket driver
- Torque wrench or torque settable driver
- Tape measure, Marker, Utility knife
- Ladder
- Saw (FOR 118 in WHEELBASE RAM PROMASTER)

! CAUTION

Be safe - always wear protective eyewear to keep debris out of your eyes when installing WEATHER GUARD® Van Products.

- Use the correct Weather Guard mounting channel for your type of van. This mounting kit is designed for RAM Promaster vans.
- Attach mounting channels only to vehicle manufacturer provided mounting points. Do not drill new holes in the van roof.
- Vehicle manufacturers specifically prohibit adding additional mounting points through the roof of the vans.

PARTS LIST



14x 5/16" WASHER



14X 5/16" NYLON LOCK NUT



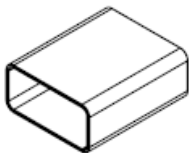
2X 5/8" BUMPER



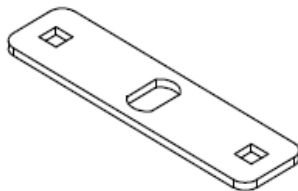
2X 5/16"X1-1/4" BOLT



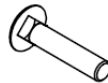
2X 5/16"X5/8" BOLT



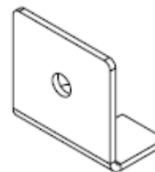
4X RED CAP



6X MOUNTING PLATE



12X 5/16-18 x 1-1/2" CARRIAGE BOLT



14X PROMASTER BRACKET



2X MOUNTING CLAMP



2X MOUNTING CHANNEL

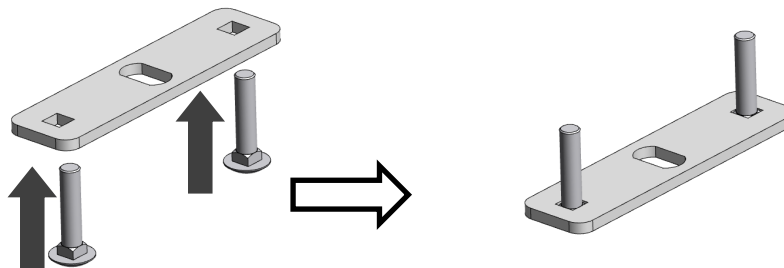
ATTENTION: PLEASE READ AND UNDERSTAND ALL INSTRUCTIONS AND WARNINGS BEFORE ASSEMBLING, INSTALLING OR USING THIS PRODUCT.

INSTALLATION INSTRUCTIONS

GENERAL INSTRUCTIONS:

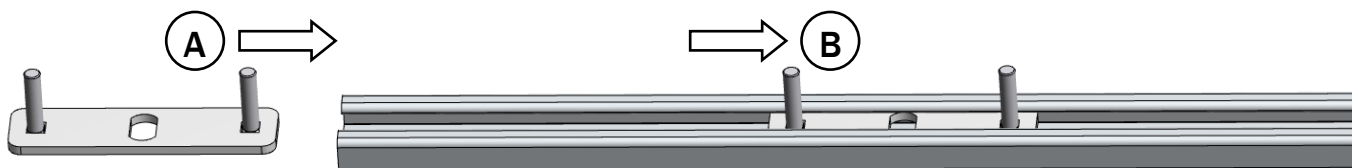
The mounting channel kit includes mounting channels and hardware to attach the channels to the roof of a RAM Promaster van using mounting posts provided by the OEM van manufacturer. The hole pattern in the mounting channel accommodates multiple wheelbase versions of the RAM Promaster van. Refer to the alignment guides on page for instructions for specific vans. **Important! Slide roof rack mounting plates included with the van rack into the channel and into position for the van rack cross-members before attaching the mounting channels to the van roof.**

STEP 1 Insert (2) 5/16-18 x 1-1/2" carriage bolts into each mounting plate. Repeat for the other five mounting plates that came in the 2115-0-01 kit. These mounting plate assemblies will be used to mount the channels to the Promaster roof.



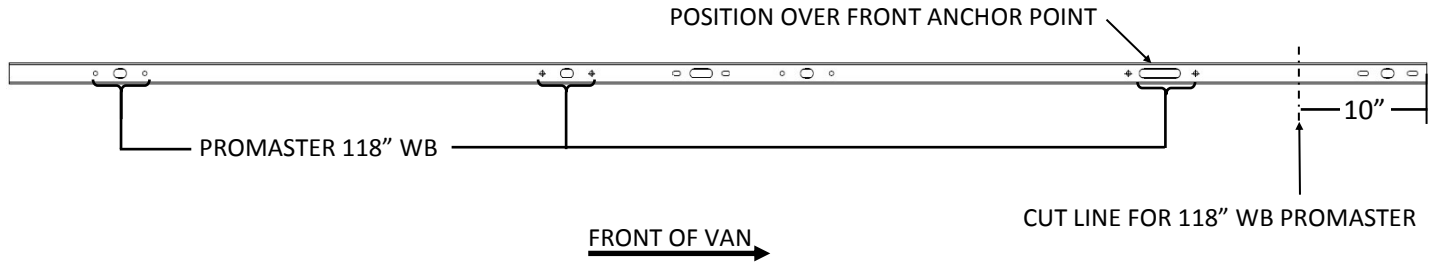
STEP 2 Before proceeding, you will also need two **roof rack** mounting plate assemblies for each crossmember of the roof rack. These will slide in the mounting channels and have shorter carriage bolts. Assemble the required number of mounting plate assemblies as indicated in the figure above using (2) 5/16-18 x 1-1/4" carriage bolts for each mounting plate assembly. These mounting plates and carriage bolts will come from the **roof rack kit**.

STEP 3 Position mounting plate assemblies in mounting channel in the approximate location of the cross-member BEFORE inserting roof mounting bolts and attaching the mounting channels to the van roof. The mounting plate assemblies will not slide past the mounting hardware attaching the mounting channels to the van roof.

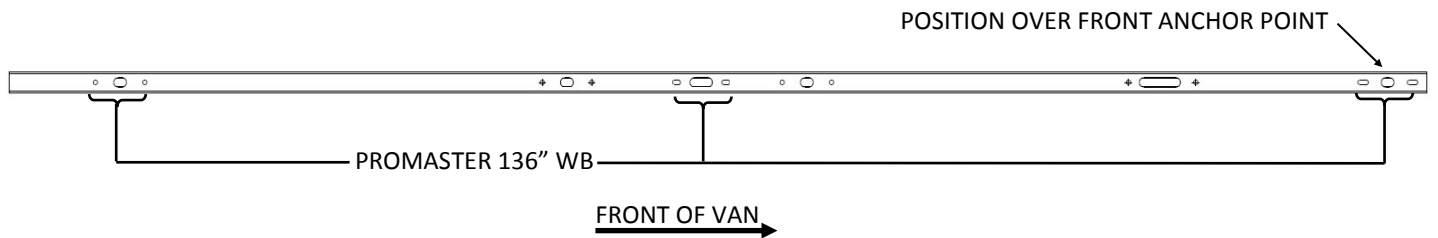


VEHICLE SPECIFIC INSTALLATION NOTES:

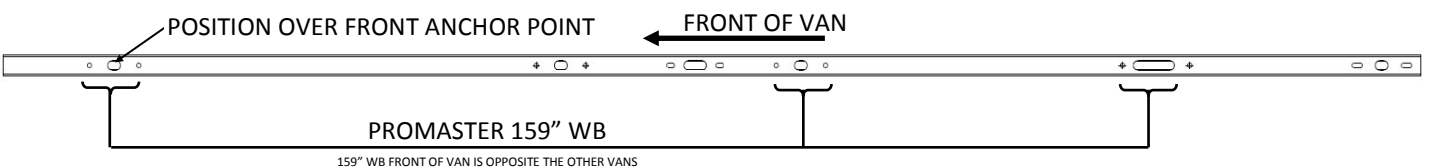
118 IN WHEEL-BASE PROMASTER: Position the mounting channel on the roof, mark the length to fit the van roof and trim the mounting rail with the saw. Because of the roof design, there is a small gap between the roof and the front of the mounting channel. To provide a solid support for the front of the mounting channel, attach the Bumpers to the underside of the channel using two each of the 5/16-18 x 1-5/8 in mounting bolt, the 5/16 in washer, and the 5/16-18 lock nuts. Tighten to 10 ft-lbs.



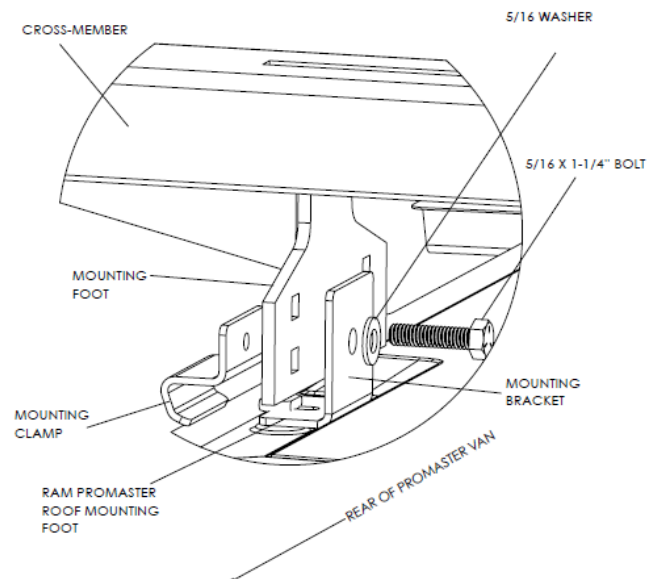
136 IN WHEEL-BASE PROMASTER: Position the mounting channel on the roof as indicated in the figure below. No bumper is required.



159 IN WHEEL-BASE PROMASTER: Position the mounting channel on the roof as indicated in the figure below. No bumper is required.



The rear mounting foot of the EZGlide2™ drop-down ladder rack should mount directly to the rear anchor point on the RAM Promaster.

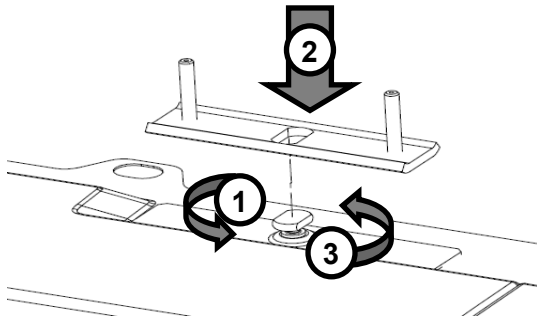


STEP 4 Position mounting channels on roof of van aligning the holes and slots with OEM mounting anchor points.

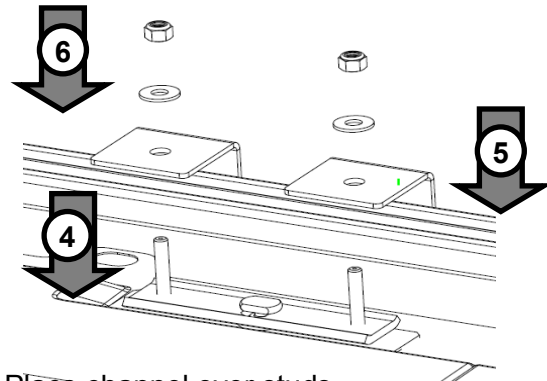
STEP 5 If you missed steps 1-3, Refer to roof rack full instruction manual and insert the required number of stud plates for the crossmembers of the ladder rack. Position them in the approximate location in the mounting channel.

STEP 6 Attach red cap to ends of mounting rails.

STEP 7 Attach the mounting channels to special cleats in the roof of the RAM Promaster following the steps below. RTV is not needed. Determine where the cross-members will be located and position ladder rack mounting hardware IN THE CHANNEL before attaching the mounting channels to the roof cleats.



1. Rotate roof cleat 90°.
2. Place stud plate over cleat.
3. Rotate roof cleat back to the original position.



4. Place channel over studs.
5. Place brackets over channel.
6. Retain with 1/4-20 nut and washer. Tighten to 8 ft-lbs.

CAUTION: DO NOT USE AN ELECTRIC OR PNEUMATIC DRIVER TO TIGHTEN 5/16-18 NUTS. IT IS CRITICAL THAT THIS NUT BE TIGHTENED SLOWLY AND TO THE SPECIFIED 17 FT-LBS

 **WARNING**

This product is only intended and safe for use in storing and transporting small tools, equipment and other similar materials. These instructions are to be followed using the parts and fasteners supplied for proper installation. Any modifications or improper installation of this product will create a hazardous condition that could result in death, serious personal injury and/or property damage.

All floor mounting bolts near the fuel tank area should be installed from the underside of the vehicle, to guard against the fuel tank being punctured in the event of a collision. This would mean not using Blind Fasteners in this area. Holes in this area should be 5/16". Ensure ample space in roof ribs and sidewall ribs for mounting screws so as not to puncture exterior roof or wall.

Do not install this product where it could interfere with deployment of air bags. Failure to comply could result in death or serious body injury.

- NOTICE -

Any modification or unintended use of this product shall immediately void all manufacturers warranties. Manufacturer disclaims all liability for injuries to persons or property resulting from any modification to, or unintended use of this product.