



VAN STORAGE SOLUTIONS
FOR THE WAY YOU WORK™

INSTALLATION MANUAL

MOUNTING CHANNEL KIT, 113 in (2113-0-01)

ATTENTION: PLEASE READ AND UNDERSTAND ALL INSTRUCTIONS AND WARNINGS BEFORE ASSEMBLING, INSTALLING OR USING THIS PRODUCT.

TOOLS REQUIRED

- RTV Automotive/ Exterior sealant (not included)
- Thread Lock Compound (not included)
- 5 mm HEX KEY (for M8 mounting bolts)
- 1/2 in Wrench/ Socket
- 7/16 in Wrench/ Socket
- Impact wrench or Drill/driver
- Torque wrench or torque settable driver
- Tape measure, Marker, Utility knife

! CAUTION

Be safe - always wear protective eyewear to keep debris out of your eyes when installing WEATHER GUARD® Van Products.

- Use the correct Weather Guard mounting channel for your type of van. This mounting kit is designed for compact vans.
- Attach mounting channels only to vehicle manufacturer provided mounting points.
- Vehicle manufacturers specifically prohibit adding additional mounting points through the roof of the vans.

PARTS LIST



18x 5/16" WASHER



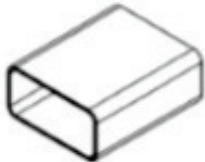
16X M8X20MM BOLT



16X M8 SQUARE NUT



2X 5/16"X5/8" BOLT



4X RED CAP



2X 5/8" BUMPER



1X M8X55MM HEX



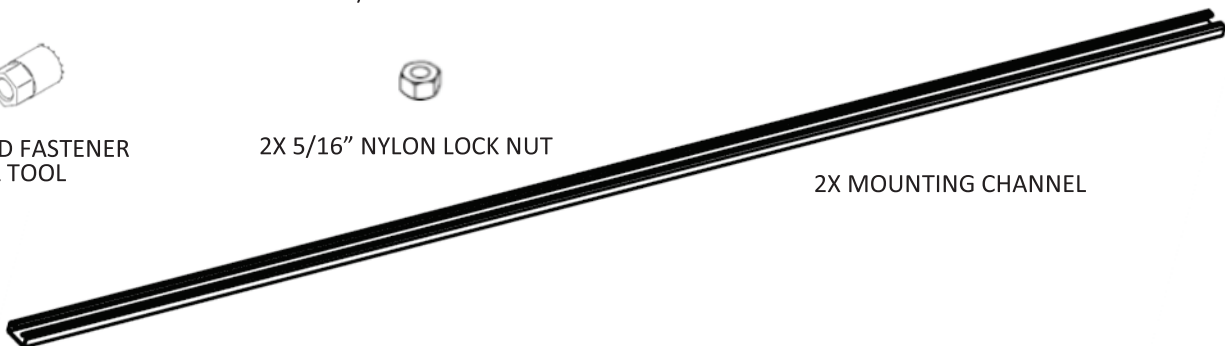
6X M8 BLIND FASTENER



1X BLIND FASTENER
INSTALL TOOL



2X 5/16" NYLON LOCK NUT



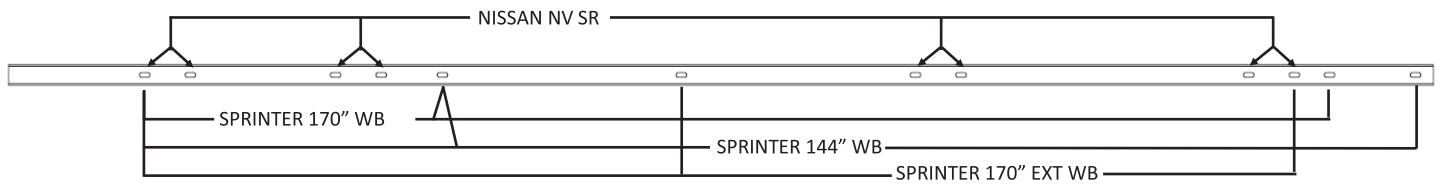
2X MOUNTING CHANNEL

ATTENTION: PLEASE READ AND UNDERSTAND ALL INSTRUCTIONS AND WARNINGS BEFORE ASSEMBLING, INSTALLING OR USING THIS PRODUCT.

INSTALLATION INSTRUCTIONS

MOUNTING CHANNEL HOLE LAYOUT REFERENCE:

FRONT OF VAN →



GENERAL INSTRUCTIONS:

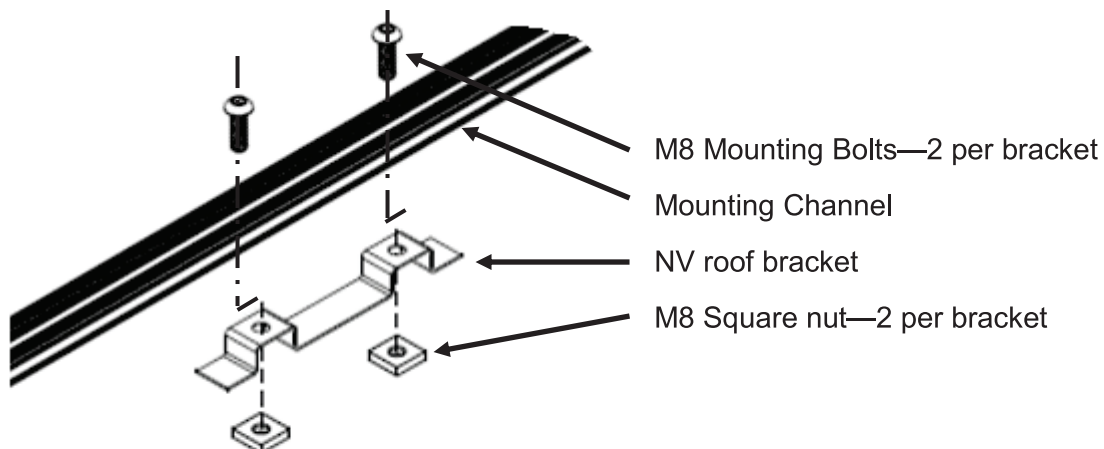
The mounting channel kit includes mounting channels and hardware to attach the channels to the roof of a compact van using mounting holes or weld nuts provided by the OEM van manufacturer.

- STEP 1** Position mounting channels on roof of van. Use the chart above showing the orientation of mounting holes to channel slots for each van type. Aligning the slots in the channel with the OEM mounting points starting from the rear and working to the front of the van.
- STEP 1a** If installing on a Sprinter van, remove the 3 or 4 plastic caps covering the mounting points of your van. Use the utility knife to cut paint if necessary.
- STEP 2** Refer to roof rack full instruction manual and insert the required number of stud plates.
- STEP 3** Attach red cap to ends of mounting rails.
- STEP 4** Apply thread lock compound (not included) to mounting bolts.
- STEP 5** Attach the mounting channels to the van using the fasteners provided.

VEHICLE SPECIFIC INSTALLATION NOTES:

NISSAN NV: Because of the roof design, there is a small gap between the roof and the mounting channel at the rear of the van. Weather Guard does not recommend installing blind fasteners into the NV roof. Instead, to provide a solid support for the back of the mounting channel, attach the Bumpers to the underside of the channel using two each of the 5/16-18 x 5/8 in mounting bolt, the 5/16 in washer, and the 5/16-18 lock nuts. Tighten to 10 ft-lbs.

The Nissan NV provides raised mounting brackets for roof-rack mounting. Position the mounting channels over the brackets and use the M8 bolts and M8 square nuts to attach the channels to the brackets. Tighten bolts to 17 ft-lbs.



MERCEDES BENZ SPRINTER:

The mounting channel kits are designed for MY2007 and later Sprinter vans. Position the mounting channels on the roof of the van and align mounting holes with the roof mounting holes.

Attach the channels to the roof using the M8 blind fasteners. Enlarge the holes using a 7/16" or 11 mm bit to fit the blind fasteners. If you are adding additional holes, verify that you won't cut any wires under the roof and drill pilot holes using a 1/8" bit and then enlarge them as noted above.

Follow the blind fastener installation instruction to mount the blind fasteners. It is recommended that RTV sealant be used under and around the blind fastener to prevent water intrusion. Be careful during installation not to damage any wiring that may be located inside the roof of the van.

Use the M8 bolts provided to attach the mounting channels to the blind fasteners in the van roof. Tighten bolts to 17 ft-lbs.

Installing Blind Fasteners

Before installing blind fasteners, verify the location of wiring, air-bags, sense wires, etc. so you don't accidentally damage something important.

Slip a washer on the M8 x 55 mm bolt, and pass them through the 9/16" wrench and installation tool as shown at right. Place a drop of oil on the M8 bolt before threading on the blind fastener.

Place the blind fastener through the hole and use the 13 mm wrench or socket to tighten the bolt until the blind fastener is fully seated.

As the blind fastener "bulbs-out" it will get easier to turn until it bottoms out and "sets". Make sure that the blind fastener and installation tool do not turn during installation.

After the blind fastener is set remove the M8 x 55 mm bolt and install the M8 mounting bolt.

