



**TRUCK STORAGE SOLUTIONS**  
SECURING YOUR REPUTATION®

# INSTALLATION MANUAL

## ALUMINUM & STEEL HI-SIDE/SUPER-SIDE BOX

**ATTENTION: PLEASE READ AND UNDERSTAND ALL INSTRUCTIONS AND WARNINGS BEFORE ASSEMBLING, INSTALLING OR USING THIS PRODUCT.**

**MODELS** 246-X-02, 247-X-02, 260-X-02, 264-X-02, 265-X-02, 272-X-02, 290-X-02, 291-X-02, 296-X-02, 297-X-02, 346-X-02, 347-X-02, 364-X-02, 365-X-02, 372-X-02, 390-X-02, 391-X-02, 396-X-02

**Note:** X represents the color code for your model: 0 = Clear | 3 = White | 5 = Black | 52 = Matte Black



### ⚠ NOTICE

Use specific aluminum upfit components when installing WEATHER GUARD® products to aluminum truck beds. Follow additional instructions if mounting to an aluminum truck bed. There may be left over components depending on upfit.

Any modification or unintended use of this product shall immediately void all manufacturers warranties. Manufacturer disclaims all liability for injuries to persons or property resulting from any modification to, or unintended use of this product.

### ⚠ DANGER

Danger of explosion. Do not use this product for storing or transporting flammables, explosives, hazardous materials, or hazardous waste, such as containers of gasoline, solvents, gun powder, dynamite, propane tanks, acetylene tanks and cutting torches. Failure to heed this warning will result in death or serious injury.

### ⚠ CAUTION

Prior to drilling, so as not to cut electric wires, fuel lines, brake lines, etc., check behind and underneath drilling and mounting locations. To keep debris out of your eyes when checking the underside of the vehicle, or when drilling, always wear protective eyewear. Failure to heed this warning may result in moderate injury.

### ⚠ WARNING

This product is only safe for use in storing and transporting small tools, equipment and other similar materials.

This product can reduce the driver's ability to clearly see road-ways, vehicular or pedestrian traffic and other objects through the rear and side windows of the vehicle, which may cause an accident. Extra precautions should be taken when driving a vehicle with this product. Make all adjustments necessary to ensure maximum visibility, including but not limited to, changing mirror and seating positions. State and local laws may prohibit obstruction of windows in a moving vehicle.


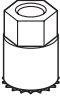


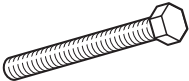







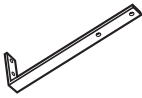
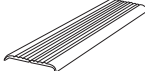
These instructions are to be followed using parts and fasteners supplied for proper installation. Any modifications or improper installation of this product will create a hazardous condition that could result in death, serious personal injury and/or property damage. All floor mounting bolts near the fuel tank area should be installed from the underside of the vehicle, to guard against the fuel tank being punctured in the event of a collision. This would mean not using blind fasteners into his area. Holes in this area should be 5/16". Ensure ample space in roof ribs and sidewall ribs for mounting screws so as not to puncture exterior roof or wall.

Do not install this product where it could interfere with deployment of air bags. Failure to comply could result in death or serious body injury.





## TOOLS REQUIRED

- Electric Drill
- Bits: 3/8", 1/2"
- Tape
- Open or Box End Wrench - (2) 1/2", 9/16"
- Carpenters Square
- Pencil/Marker
- Measuring Tape/Ruler
- Utility Knife/Scissors

## PARTS LIST

 (4) 5/16-18 Blind Fastener	 (1) Installation Tool	 (4) 5/16-18 x 1" Hex Head Bolt	 (4) 5/16-18 x 1-1/4" Hex Head Bolt	 (1) 5/16-18 x 2-1/4" Black Oxide Bolt
 (4) Plastic Retaining Washer	 (14) 5/16" Flat Washer	 (4) Fender Washer	 (12) 5/16-18 Nylon Lock Nut	 (1) 3/4" Round Cap Plug
 (8) 5/16" Lock Washer	 (4) "J" Bolt	 (2) Leg	 (2) Mounting Pads (20" and/or 27" and/or 45")	

## ALUMINUM BED UPFIT KIT - 32-0243

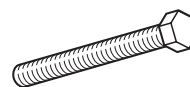
 (4) Vinyl Tape	 (1) Zinc Rich Primer	 (8) 1/2" x 1" Plastic Washer	 (4) 11/32" x 7/8" Plastic Washer	 (8) 5/16" x 3/4" Plastic Washer
--	---	---	---	--

## BLIND FASTENER INSTALLATION

Place a drop of oil on black oxide bolt for lubrication before assembling.

Place the Blind Fastener in the hole and use 1/2" or 7/16" wrench to tighten black oxide bolt until fastener is fully seated (it will start out hard and get easier as fastener "bulbs" out).

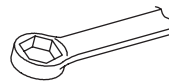
Make sure the Blind Fastener and Installation Tool do not turn during installation.



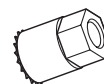
**Black Oxide Bolt**



**Flat Washer**



**9/16" Wrench**



**Installation Tool**



**Blind Fastener**

## ALUMINUM TRUCK BED INSTALLATION

Coat drilled holes with Zinc Rich Primer. Insert Blind Fastener through one 1/2" x 1" plastic washer. Insert Blind Fastener into drilled hole. Place second 1/2" x 1" plastic washer through the bottom of the Blind Fastener. Continue following installation instructions above to install Blind Fasteners.

# INSTALLATION INSTRUCTIONS

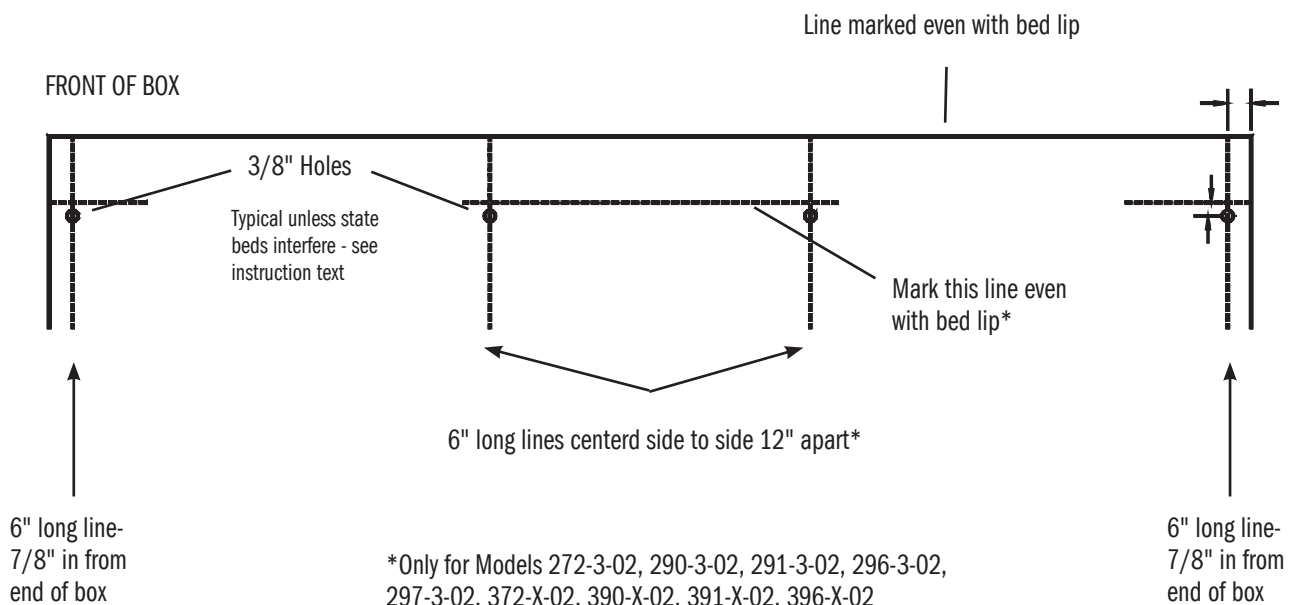
- Note:**
- If your truck bed is constructed of aluminum, use zinc rich primer to coat drilled holes.
  - If installing the box on top of a stake bed, disregard these instructions. Mount the box with the bottom fully supported or structural damage will occur to the box.
  - When installing in a pickup bed, the box must be installed per these instructions using the mounting legs supplied. This box must never be bolted to a ladder rack or structural damage will occur to the box.
  - To prevent rust from occurring, touch-up any drilled holes.

## STEP 1 Mark the Box

Park the vehicle as level as possible.

Turn the box over, and at each end of the box, mark a 6" long line  $7/8"$  in from and parallel to the end. Start the line at the front of the bottom.

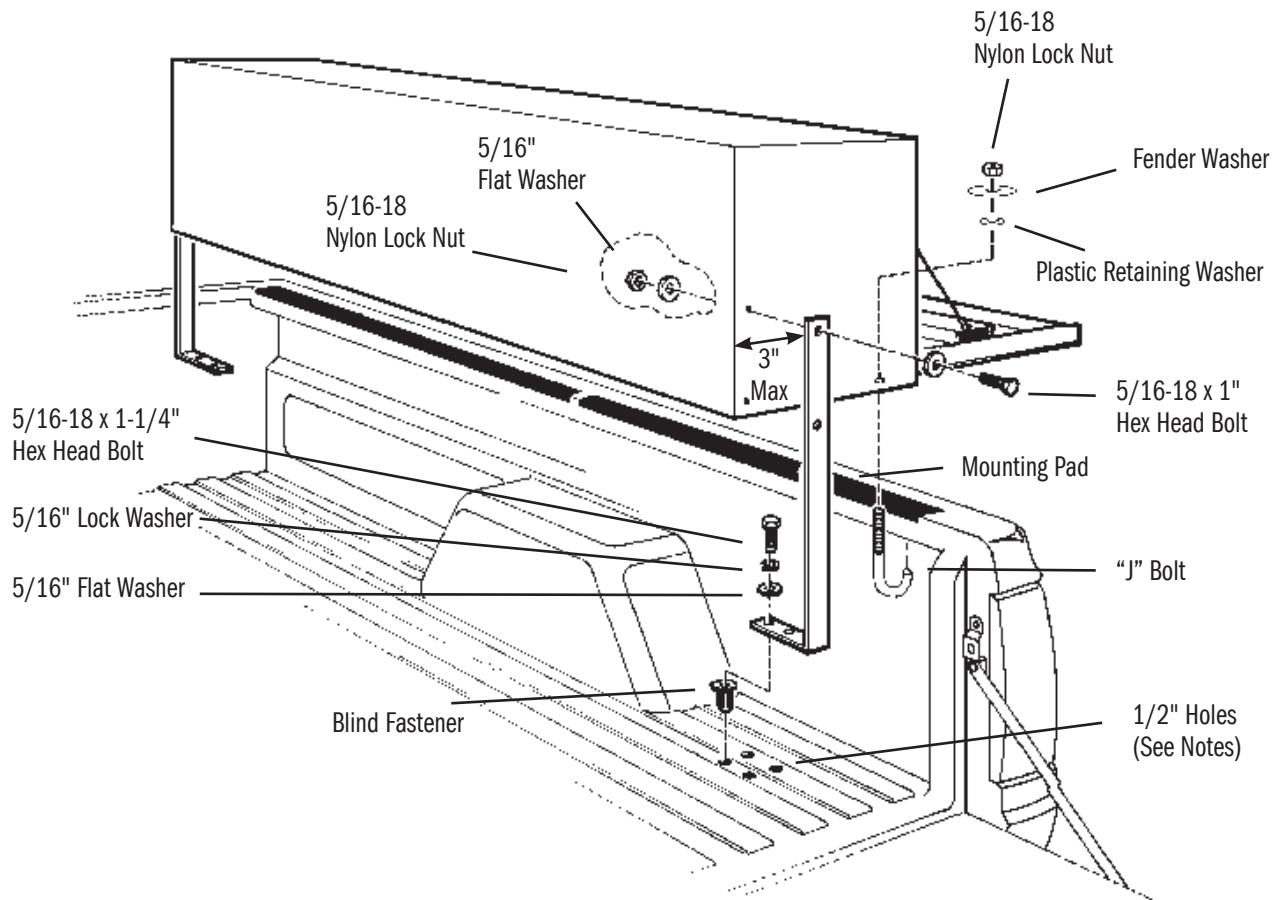
For Models **272-3-02, 290-3-02, 291-3-02, 296-3-02, 297-3-02, 372-X-02, 390-X-02, 391-X-02, 396-X-02**, mark a 6" long line centered side to side on the box, 12" apart as shown in the figure below.



## STEP 2 Mounting the Box

**Note:** · Fasten the leg mounting feet directly to the floor, not on bed liners or floor mats.

- Leg can be mounted up to 3" maximum from rear corner of box (see above).
- The foot of the leg must be squarely mounted on or between the tops of the floor ribs.



Place the mounting pads in position on top of the truck bed as shown in figure below. Tape the mounting pads to the truck bed in a few places to keep them from moving or falling off when installing the box.

Place the box in position on the bed side, support the rear of the box with scrap lumber or cribbing, and square the box to the bed. Level the box so the top is horizontal when viewed from the rear.

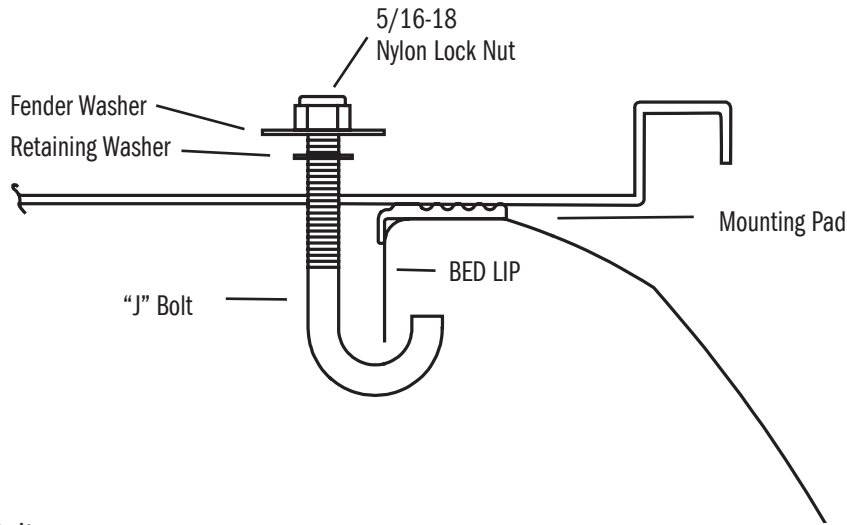
Place one leg close to the rear corner of the box using a square to get a proper vertical setting. The closer the legs are mounted to the rear corner, the more stable the box will be.

Mark both leg foot holes on the floor of the truck bed, and both leg top holes in the end of the box. Repeat leg placement and marking process at the other end of the box.

Repeat leg placement and marking process at the other end of the box.

Using the bed lip as a guide, mark the underside of the box at the point where the box and bed lip meet at the ends of the box, and in the center of the box if installing a **272-3-02, 290-3-02, 291-3-02, 296-3-02, 297-3-02, 372-X-02, 390-X-02, 391-X-02, 396-X-02**. If there is a stake pocket in the truck bed below the point where any of the 6" long lines intersect the truck bed, mark the truck bed at that point.

Remove the box and turn it over. Mark the box in two locations for drilling (four for Models **272-3-02, 290-3-02, 291-3-02, 296-3-02, 297-3-02, 372-X-02, 390-X-02, 391-X-02, 396-X-02**). Mark these holes 1/2" inward of the marked line, and on the 6" long lines (see page 3).



### STEP 3 Installing "J" Bolt

- Note:**
- When placing the box back in position, if it was necessary to drill a stake pocket, that "J" bolt will have to be held on an angle from the underside of the box and guided into the hole in the stake pocket.
  - Fasten the leg feet to the floor. Turn the "J" bolts so they are under the lip of the bed. Pull the "J" bolt up until it contacts the lip of the bed. Push the plastic retaining washer down, using the fender washer, so the "J" Bolt is held in position. Tighten the nylon lock nut, making sure the "J" Bolt hook remains under the lip of the truck bed.
  - Periodically check the tightness of "J" bolts to ensure proper attachment.
  - Snap the cap plug into the bottom hole (plug may be pulled when cleaning inside the box).

If a stake pocket interferes with any "J" bolt mounting location, it will be necessary to drill the box with a 1/2" drill for that "J" bolt, and to drill the stake pocket at the mark with a 1/2" drill bit, with the top of the hole even with the bottom edge of the bed lip. Drill all box marks with a 3/8" drill bit. Drill the floor marks with a 1/2" drill bit. Install Blind Fasteners in the floor.

Fasten the legs to the box. Install the "J" Bolts through the holes you have drilled, and attach the plastic retaining washer, fender washer and nylon lock nut. Tighten the nut to the top threads of the "J" Bolt 1/4 turn into the nylon.

Stand the box upright and turn the "J" bolts to the side so they won't interfere when placing the box on the bed of the truck. Set the box in place on the truck bed.

#### ALUMINUM TRUCK BED INSTALLATION:

Use vinyl tape as a barrier between the J-bolt and the aluminum truck bed.

## SERVICE PARTS

PART #	DESCRIPTION	FITS MODEL #
70136	ARMOR TUF® Brite White Touchup Paint 1/2 oz.	All White Hi-Side Boxes
32-0028	Bolt Kit	All Hi-Side Boxes
7749	Grommet Kit	All Hi-Side Boxes
7101-3	Replacement Hi-Side Leg-White	All White Hi-Side Boxes
886-1CN	WEATHER GUARD® White Touchup Paint 12 oz.	All White Side Boxes
7101-5	Replacement Hi-Sides Leg-Black	All Black Hi-Side Boxes
70168-XXX	D-Handle Lock Cylinder (XXX = Key Code)	All Hi-Side Boxes
70167-XXX	D-Handle Lock Kit (XXX = Key Code)	All Hi-Side Boxes
70151-3	Replacement Door	246/290-3-02
70152-3	Replacement Door	247/291-3-02
70153-3	Replacement Door	264-3-02
70154-3	Replacement Door	265-3-02
70155-3	Replacement Door	272-3-02
70156-3	Replacement Door	296-3-02
70157-3	Replacement Door	297-3-02
70158-0	Replacement Door	346/390-0-02
70158-5	Replacement Door	346/390-5-02
70159-0	Replacement Door	347/391-0-02
70159-5	Replacement Door	347/391-5-02
70160-0	Replacement Door	364-0-02
70160-5	Replacement Door	364-5-02
70161-0	Replacement Door	365-0-02
70161-5	Replacement Door	365-5-02
70162-0	Replacement Door	372-0-02
70162-5	Replacement Door	372-5-02
70163-0	Replacement Door	396-0-02
70163-5	Replacement Door	396-5-02
70164	Door Cables (13") and Caribiners	All Hi-Side Boxes
70165	Door Cables (16") and Caribiners	All Hi-Side Boxes
70166	Door Cables (24") and Caribiners	All Hi-Side Boxes
70169	Latch Rods	246-X-02, 247-X-02, 346-X-02, 347-X-02, 290-X-02, 291-X-02, 390-X-02, 391-X-02
70170	Latch Rods	264-X-02, 265-X-02, 364-X-02, 365-X-02
70171	Latch Rods	272-X-02, 372-X-02
70172	Latch Rods	296-X-02, 297-X-02, 346-X-02
70173	Weather Strip Kit	All Hi-Side Boxes

**Note:** X represents the color code for your model:

0 = Clear | 3 = White | 5 = Black | 52 = Matte Black