



TRUCK STORAGE SOLUTIONS
SECURING YOUR REPUTATION®

INSTALLATION MANUAL

ALUMINUM & STEEL CROSS & SADDLE BOXES

ATTENTION: PLEASE READ AND UNDERSTAND ALL INSTRUCTIONS AND WARNINGS BEFORE ASSEMBLING, INSTALLING OR USING THIS PRODUCT.

MODELS 114-X-01, 115-X-01, 120-X-01, 121-X-01, 123-X-01, 124-X-01, 125-X-01, 131-X-01, 136-X-01, 137-X-01, 154-X-01, 156-X-01

Note: X represents the color code for your model: 0 = Clear | 3 = White | 5 = Black | 52 = Matte Black



⚠ NOTICE

Use specific aluminum upfit components when installing WEATHER GUARD® products to aluminum truck beds. Follow additional instructions if mounting to an aluminum truck bed. There may be left over components depending on upfit.

Any modification or unintended use of this product shall immediately void all manufacturers warranties. Manufacturer disclaims all liability for injuries to persons or property resulting from any modification to, or unintended use of this product.

⚠ DANGER

Danger of explosion. Do not use this product for storing or transporting flammables, explosives, hazardous materials, or hazardous waste, such as containers of gasoline, solvents, gun powder, dynamite, propane tanks, acetylene tanks and cutting torches. This product is only intended and safe for use in storing and transporting small tools, equipment and other similar materials. Any modifications made to, or unintended use of this product, could create a hazardous condition that can cause death, serious personal injury or property damage.

⚠ CAUTION

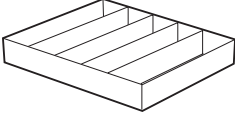
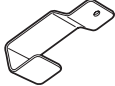
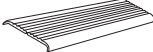

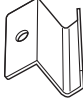


Before marking the leg mounting holes, check inside the box for location of gas spring housing and components that may obstruct safe drilling. To keep debris out of your eyes when checking the underside of the vehicle, or when drilling, always wear protective eyewear.

TOOLS REQUIRED



· 1/2" Ratchet Wrench

· Ruler

PARTS LIST

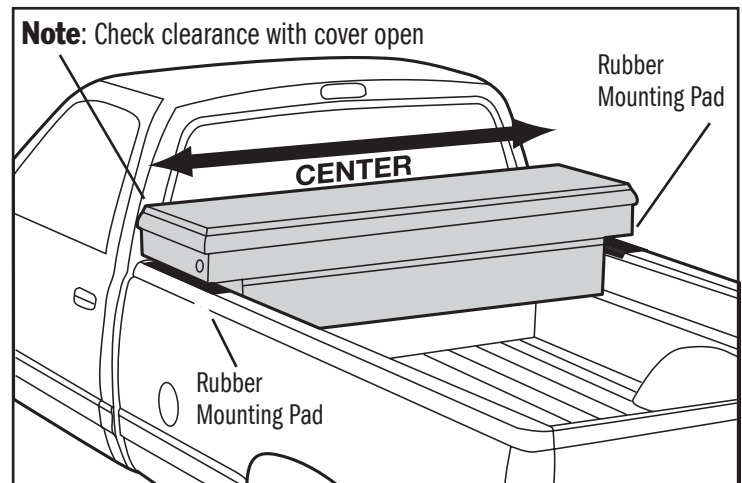
| | | | | |
|---|--|--|---|--|
|  <p>Tray with Dividers</p> |  <p>Level Holder Brackets (saddle box only)</p> | <p>Note: The rubber mounting pad comes as a single piece and must be separated into two pieces, one for each side of the truck.</p>  <p>Rubber Mounting Pads</p> |  <p>(4) Fender Washers</p> |  <p>(4) Mounting Clamps</p> |
|  <p>(4) 5/16"-18 x 2-1/4" Hex Head Bolts</p> |  <p>(2) Keys</p> | | | |

ALUMINUM BED UPFIT KIT PARTS LIST - 32-0242

| | | | | |
|---|---|--|--|--|
|  <p>(4) Vinyl Tape</p> |  <p>(1) Zinc Rich Primer</p> | | | |
|---|---|--|--|--|

INSTALLATION INSTRUCTIONS

- Note:** · If the truck bed is constructed of aluminum, use zinc rich primer to coat drilled holes.
- If the pickup is fitted with a plastic drop-in bed liner, it may need to be drilled, trimmed, or cut for proper installation of truck box.
 - Truck box cover may not properly latch until box is fully bolted to truck bed in (4) places.
 - Because truck bed configurations vary, (6) mounting slots have been provided, to ensure the use of (4) mounting clamps.
 - Periodically check tightness of mounting clamps to ensure proper attachment.
 - Use touch-up paint on any drill holes to prevent oxidation.
 - Install boxes with vehicle parked on level ground.



STEP 1 Locate Box in Truck Bed

Place rubber mounting pads on bed rails. Place box into position on top of mounting pads. Use ruler to ensure box is centered in truck bed and that cover opens fully without interference.

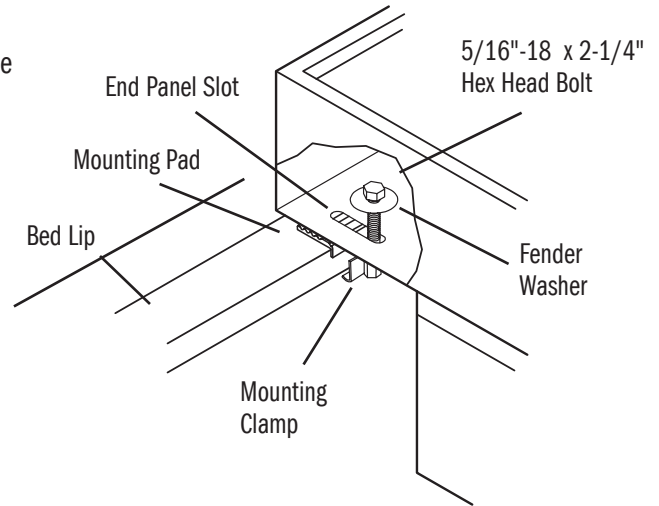
ALUMINUM TRUCK BED INSTALLATION:

Use vinyl tape as a barrier between the mounting clamp and truck bed. Follow same instructions if mounting with a "J" bolt.

STEP 2 Attach Box to Truck Bed

Note: · Mounting clamp bolt may be difficult to turn due to the “lock nut” feature. Apply a small amount of grease to bolt threads prior to installation to ease assembly.

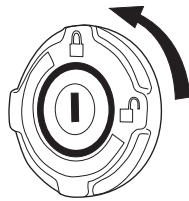
Attach mounting clamp, bolts and washers as shown in figure to the right. Start with slot at drivers side front and work clock-wise until all four clamps have been installed.



FEATURE OPERATION

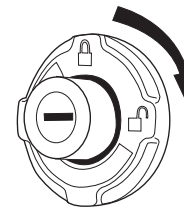
Lock System

The WEATHER GUARD® Extreme Protection™ Lock is designed to provide maximum security, while providing ease of use and years of reliable service. When in the locked mode, the button remains retracted in a tamper-resistant position. When the button is pressed in the unlock mode, the latches are activated and the cover opens.



Lock

Turn the key counterclockwise to the locked position as indicated on the lock bezel. When the button is now pressed, it will stay in the retracted or tamper-resistant position until unlocked.



Unlock

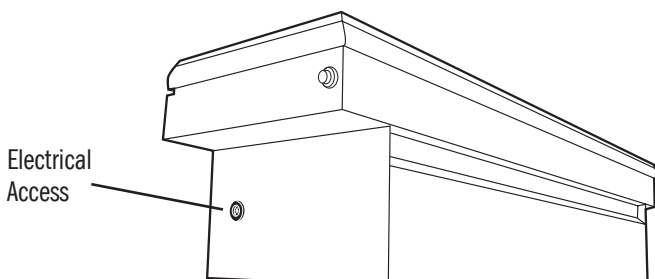
Turn the key clockwise to the unlocked position as indicated on the lock bezel. Button will pop out and is now ready to release the latches when pressed.

Latch System

The WEATHER GUARD® Latch System utilizes automotive grade latches in conjunction with high strength latch strikers to ensure maximum security. The WEATHER GUARD® Latch System is designed to open with a single touch of the button, and close securely. Expect years of reliable service from the WEATHER GUARD® Latch System with only minimal maintenance: Lubricate latch pivot points bi-annually with white grease. If latch strikers are accidentally knocked out of alignment, simply use a mallet to re-align.

12V Electrical Access

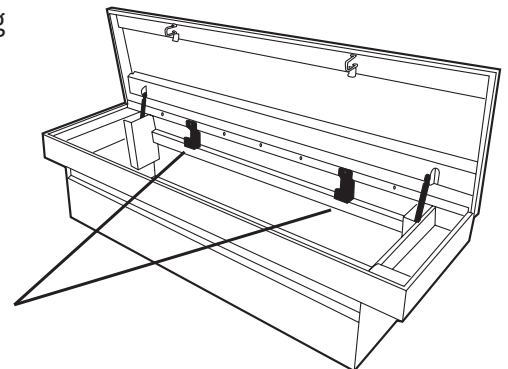
WEATHER GUARD® Truck Boxes are equipped with a 12 volt electrical access grommet for easy electrical accessory fit-ups. To use, simply cut along one or more perforations in the rubber grommet and run wire through.



Level Holder

WEATHER GUARD® Saddle Boxes are equipped with brackets that allow safe and easy storage of levels. Install using existing bolts.

Install holders using existing bolts



⚠ WARNING

Extension Cord

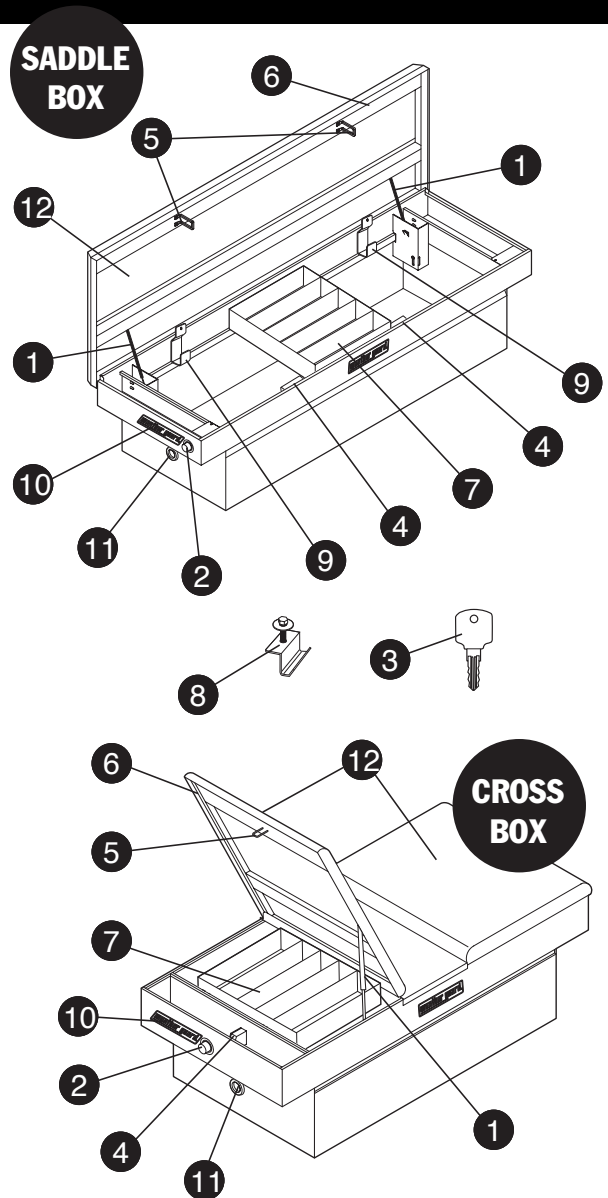
- Follow all Extension Cord manufacturer's warnings and instructions.
- DO NOT insert extension cord through hole without grommet in place.
- Only use a three-wire extension cord with all three prongs intact. Never remove the round grounding prong.
- Extension cord must be connected to a 120 Volt GFCI protected outlet with proper ground. If GFCI outlet is not available, use an extension cord with GFCI protection built in.
- Check the insulation and plugs of extension cord before using. DO NOT use cord if it is worn or damaged.
- DO NOT overload extension cord.
- Remove extension cord from the grommet hole before moving or transporting saddle/cross box.
- Only use an extension cord that is rated for outdoor use.
- DO NOT connect extension cord to outlet that also supplies critical safety equipment with power.

Cordless Power Tool Battery Chargers

- See Charger's Owner's Manual for proper use and care of charger and batteries. Follow all warnings and instructions provided with your battery charger.
- Place chargers and electrical connections in tray.
- Chargers are dry location use only. DO NOT expose to liquid, vapor, or rain. Should your charger become wet, DO NOT attempt to use.
- Unplug extension cord from supply before handling wet charger or cords.
- Only use chargers and batteries that are intact and operating properly.
- DO NOT touch metal prongs when plugging charger into extension cord.
- Keep flammable materials like paper or rags away from charger, cords or connections.
- DO NOT place or attempt to charge lead acid, car type batteries in saddle/cross box.

SERVICE PARTS

| # | PART # | DESCRIPTION | FITS MODEL # |
|----|----------|---|---|
| 1 | 900-2PK | Gas Spring (2 PK) | 125-X-01 |
| 1 | 7009-2PK | Gas Spring (2 PK) | 123-X-01, 137-X-01, 154-X-01 |
| 1 | 7250-2PK | Gas Spring (2 PK) | 128-X-01, 136-X-01, 156-X-01 |
| 1 | 7900-2PK | Gas Spring (2 PK) | 115-X-01 |
| 1 | 7916-2PK | Gas Spring (2 PK) | 114-X-01, 124-X-01 |
| 2 | 7748-XX | Lock & Key Set (XX = key code) (1 lock, 2 keys, retainer clip) | All Saddle/Cross Boxes |
| 3 | 7750-XX | Key Replacement (XX = key code) (2 keys) | All Saddle/Cross Boxes |
| 4 | 7731 | Latch & Striker Kit (1 latch, 1 striker, mounting hardware) | All Saddle Boxes |
| 4 | 70732 | Latch & Striker Kit (1 latch, 1 striker, mounting hardware) | All Cross Boxes |
| 5 | 7106 | Striker Kit (1 striker and mounting hardware) | All Saddle/Cross Boxes |
| 6 | 7730 | Weather Strip Kit (various styles for one box) | All Saddle/Cross Boxes |
| 7 | 615 | Tray (1 tray plus dividers) | 123-X-01, 124-X-01, 137-X-01, 125-X-01, 126-X-01, 136-X-01, 154-X-01, 156-X-01 |
| 7 | 617 | Tray (1 tray plus dividers) | 114-X-01, 115-X-01 |
| 8 | 7733 | Mounting Kit (4 mounting clamps, 4 bolts, 4 washers) | All Saddle/Cross Boxes |
| 9 | 7737 | Level Holder (2 brackets) | All Saddle Boxes |
| 10 | 7746 | Nameplate Kit (3 stickers, 2 side bezels, 1 back bezel) | All Saddle/Cross Boxes |
| 11 | 7749 | Grommet Kit | All Saddle/Cross Boxes |
| 12 | 7783-X | Cover | 123-X-01 |
| 12 | 7784-X | Cover | 137-X-01, 154-X-01 |
| 12 | 7796-X | Cover | 114-X-01 |
| 12 | 7797-X | Cover | 124-X-01 |
| 12 | 7864-X | Cover | 128-X-01 |
| 12 | 7871-X | Cover | 136-X-01, 156-X-01 |
| 12 | 7873-X | Cover | 115-X-01 |
| 12 | 7874-X | Cover | 125-X-01 |
| 13 | 7738 | Latch Rod Kit (not shown) | 123-X-01, 128-X-01 |
| 13 | 7739 | Latch Rod Kit (not shown) | 136-X-01, 137-X-01, 154-X-01, 156-X-01 |



Note: X represents the color code for your model:
 0 = Clear | 3 = White | 5 = Black | 52 = Matte Black