



## MOD FRONT BUMPER (JEEP JK)

**P/N: 6567-6578**

### KIT CONTENTS:

Item	Qty	Item	Qty
MOD Front Bumper	1	Bolt plate	4
Installation instructions	1	1/2" x 1-1/2" Carriage Bolt	8
Plastic wire retaining clips	5	1/2" Flange nut	8

### MID-WIDTH BUMPER ADDITIONAL CONTENTS (part #'s 6568 & 6578 only):

Item	Qty	Item	Qty
Fog light mount bracket	2	#10-32 x 1/2" Button head screw	8
1/4" SAE washer	8	#10-32 Keps nut	8
1/4" Nyloc nut	8		

### INSTALLATION NOTES:

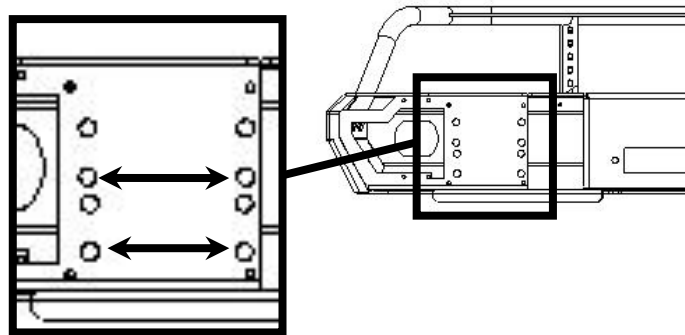
- Before beginning installation, remove the front bumper and lower plastic valence (if applicable). Consult the Factory Service Manual, or research online for guidance if needed.
- You will reuse your factory fog lights if installing a Mid-width version of the MOD bumper (alternatively, you may also upgrade to OEM fit aftermarket lights). Make sure to remove factory fog lights and the wire harness before discarding OEM bumper.

### MOD BUMPER INSTALLATION:

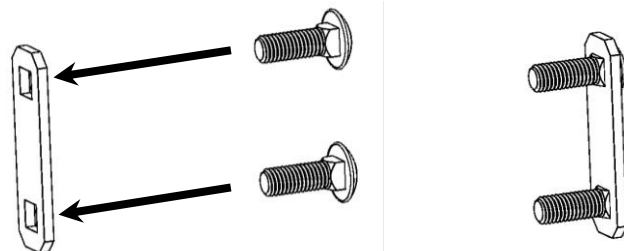
- Install your MOD Bumper before installing a winch (and the fog lights where applicable).
- The mount plate of the bumper has multiple punched holes. IT IS IMPORTANT THAT YOU USE THE CORRECT HOLES WHEN MOUNTING THE BUMPER. Follow the instructions below carefully.



1. Before beginning the installation, study the image to the right and familiarize yourself with the correct mounting holes to be used for Jeep JK/JKU.
2. Use the 2<sup>nd</sup> row from the top of large holes and the bottom pair of large holes. (You will skip the 1<sup>st</sup> and 3<sup>rd</sup> row of holes.)



3. Prepare the Bolt Plates for installation by inserting two 1/2" Carriage Bolts through from one side.
4. (These Mount Bolt Plates will also help to space the Carriage Bolts into the correct holes.)
5. Position the bumper over the front frame plates of the Jeep.
6. Align the correct holes (as outlined above in steps 1 & 2) with the frame plate holes.
7. Insert the Bolt Plates and bolts from the front side of the bumper mount, through the mount and also the Jeep frame plate.
8. Loosely start a 1/2" Flange nut on each bolt.



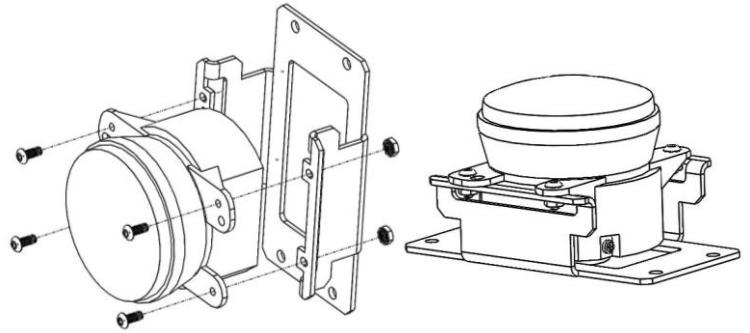
9. After all eight (8) Flange nuts are finger tight, verify the alignment of the bumper and completely tighten all of the Flange nuts.
10. Loosen nuts and re-align bumper if necessary.
11. Installation of the bumper is now complete. You may now install your winch, fog lights, or additional accessories. For better access to the wire harness we recommend installing fog lights before the winch. Read step 12 for winch install comments.
12. After the bumper is securely attached to the Jeep, you may proceed with installing a winch by working it down through the opening in the top of the bumper. You may find that you have to tip the winch at an angle to fit the large motor housing down past the top skin surface of the bumper. Some of the larger body integrated solenoid winches may have slight contact with the plastic grill when installed. You may want to install a rubber or foam pad such as weatherstripping at this contact point to protect the grill finish.

#### FOG LIGHT INSTALLATION (part #'s 6568 & 6578 only)

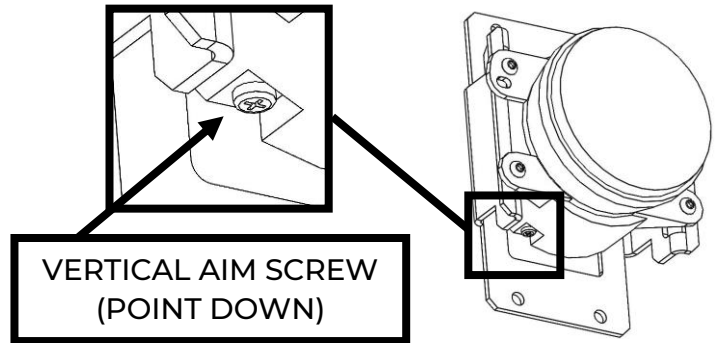
- The fog light mounting brackets included with your MOD bumper are designed to install the factory Jeep fog lights. OEM fit, upgraded lights should also work.
- The two brackets are identical, therefore it is possible to install the fog lights upside down. Follow these instructions closely to make sure the orientation is correct.
- The fog lights are mounted further apart on the MOD bumper than they are on the OEM bumper. You may need to extend the wire harness to make it long enough to reach both.



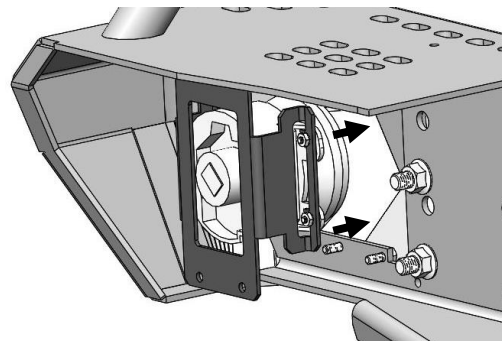
1. Attach the fog lights to the mount brackets included with the bumper.
2. Place the light on the bracket as shown to the right. Secure the light with the included #10 x 1/2" Button head screws and #10 Keps nuts.



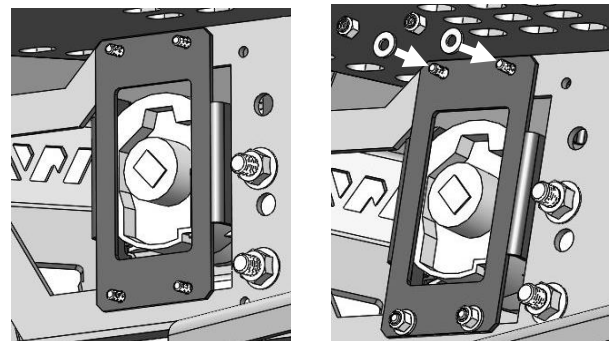
3. Before installing the light mount into the bumper, identify the top and bottom of the lights. When looking at the back of the fog light you will see a long Phillips head screw with a spring over it. (This screw is the vertical aim adjustment.)
4. The Phillips screw head should be pointed DOWN for correct fog light orientation.



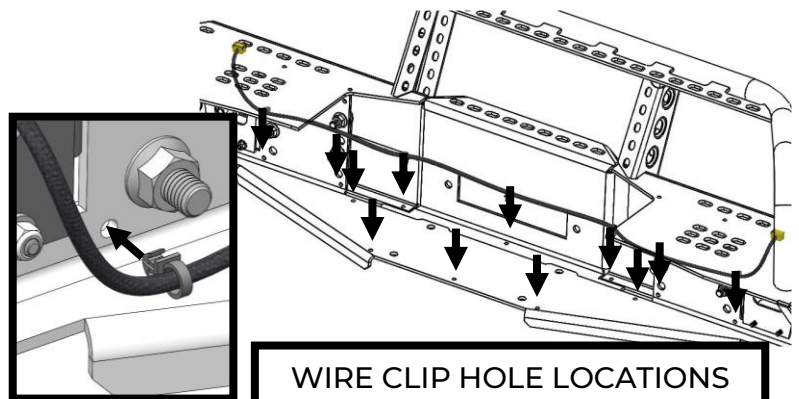
5. With the Phillips screw head pointing down toward the ground, insert the assembled fog light and mount bracket into bumper from the back side.
6. Insert the light assembly through the opening next to the frame mount plate.



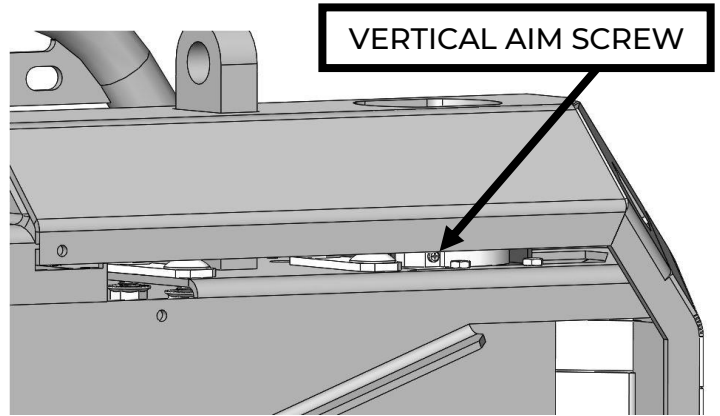
7. After the light passes through the opening, shift the mount bracket into place and slide it over the 4 threaded mounting posts.
8. Place a 1/4" washer and Nyloc nut on each post and tighten hardware.



9. Install the factory wire harness for the fog lights (extend the length if necessary).
10. Choose how you want to route the harness and press the supplied wire retaining clips into the small holes in the bumper.
11. NOTE: You can use a small screwdriver to gently pry the hooks of the clip out on the back side of the hole to anchor them better if they do not expand on their own.



12. Turn on fog lights (make sure it is dark enough to see where they project) and aim them by using a Phillips screwdriver and turning the Vertical Aim Screw (mentioned in steps 3-5 above). With a long enough screwdriver, you can access the screw through the opening in the bottom of the bumper.



13. Installation is now complete! Enjoy your new Warrior Products MOD Bumper!