

MOD FRONT BUMPER (JEEP JL)

P/N: 6527-6538

KIT CONTENTS:

Item	Qty	Item	Qty
MOD Front Bumper	1	Bolt plate	4
Installation instructions	1	1/2" x 1-1/2" Carriage Bolt	8
Plastic wire retaining clips	5	1/2" Flange nut	8

MID-WIDTH BUMPER ADDITIONAL CONTENTS (part #'s 6528 & 6538 only):

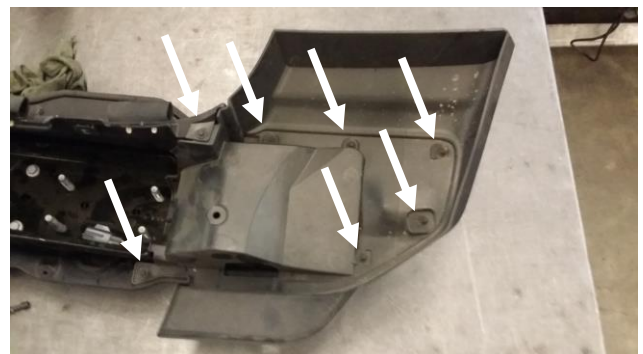
Item	Qty	Item	Qty
Fog light mount bracket	2	#10-32 x 1/2" Button head screw	6
1/4" SAE washer	8	#10-32 Keps nut	6
1/4" Nyloc nut	8	#10 SAE washer	8

INSTALLATION NOTES:

- Before beginning installation, remove the front bumper and lower plastic valence (if applicable). Consult the Factory Service Manual, or research online for guidance if needed.
- You will reuse your factory fog lights if installing a Mid-width version of the MOD bumper (alternatively, you may also upgrade to OEM fit aftermarket lights). Make sure to remove factory fog lights and the wire harness before discarding OEM bumper.
- If you have a Stubby bumper (part #'s 6527 or 6537) you may skip to the "BUMPER INSTALLATION" section below. For Mid-width bumpers that reuse the factory fog lights (part #'s 6528 & 6538), begin with the "FACTORY BUMPER FOG LIGHT REMOVAL" below.

FACTORY BUMPER FOG LIGHT REMOVAL:

1. To access the fog light, remove seven hex drive screws on the back side of the bumper as shown.
2. Remove plastic cover to reveal the fog light assembly.
3. Repeat for the opposite end of the bumper.



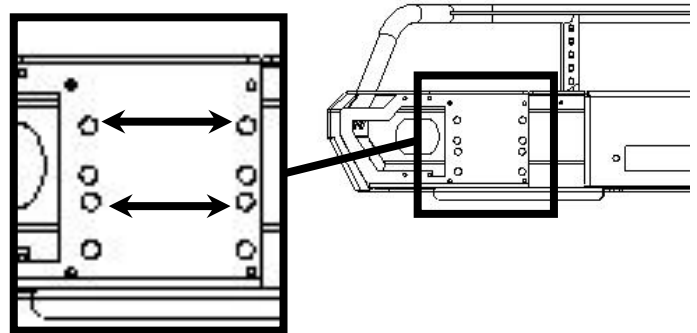
4. After the covers have been removed, disconnect the light plug(s) by pushing the release tab and pulling the plug away from the fog light.
5. Be sure to pull only on the plastic plug housing. Do not pull the wires.
6. Using a T-15 Torx bit/driver, remove the 3 screws securing each fog light and remove the lights from the bumper.
7. Remove the metal bumper channel to access to the wire harness. Remove the two bolts on each side near the bumper mounting posts. (4 bolts total.)
8. Lift the metal bumper channel away from bumper to expose the harness.
9. Pry the plugs loose with a trim tool.
10. Set the lights and wire harness aside to be installed later.



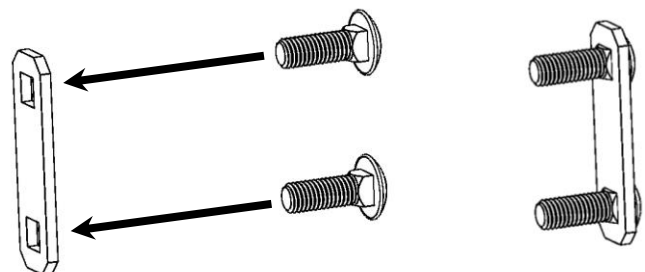
MOD BUMPER INSTALLATION:

- Install your MOD Bumper before installing a winch (and the fog lights where applicable).
- The mount plate of the bumper has multiple punched holes. *IT IS IMPORTANT THAT YOU USE THE CORRECT HOLES WHEN MOUNTING THE BUMPER.* Follow the instructions below carefully.

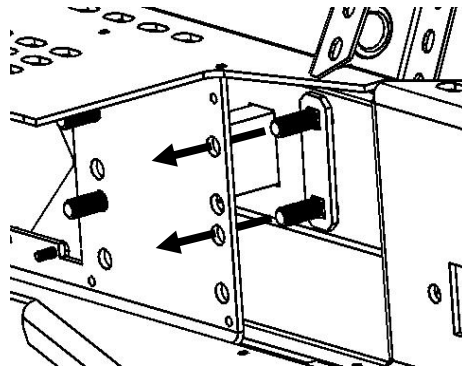
1. Before beginning the installation, study the image to the right and familiarize yourself with the correct mounting holes to be used for Jeep JL/JLU.
2. Use the Top pair of large holes and the pair of holes in the 3rd row down from the top. (You will skip the 2nd row of holes.)



3. Prepare the Bolt Plates for installation by inserting two 1/2" Carriage Bolts through from one side.
4. (These Mount Bolt Plates will space the Carriage Bolts into the correct holes.)



5. Position the bumper over the front frame plates of the Jeep.
6. Align the correct holes (as outlined above in steps 1 & 2) with the frame plate holes.
7. Insert the Bolt Plates and bolts from the front side of the bumper mount, through the mount and also the Jeep frame plate.
8. Loosely start a 1/2" Flange nut on each bolt.

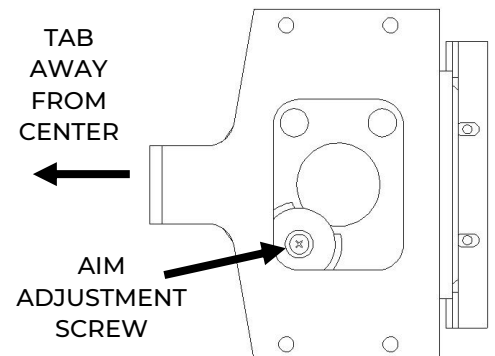
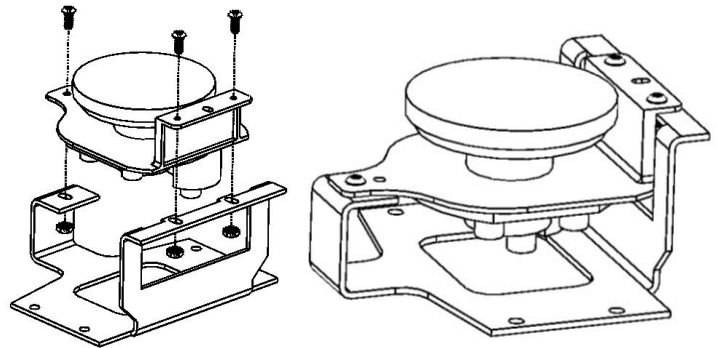


9. After all eight (8) Flange nuts are finger tight, verify the alignment of the bumper and completely tighten all of the Flange nuts.
10. Loosen nuts and re-align bumper if necessary.
11. Installation of the bumper is now complete. You may now install your winch, fog lights, or additional accessories. For better access to the wire harness we recommend installing fog lights before the winch. Read step 12 for winch install comments.
12. After the bumper is securely attached to the Jeep, you may proceed with installing a winch by working it down through the opening in the top of the bumper. Some of the larger body winches may have slight contact with the plastic grill when installed. You may want to install a rubber or foam pad such as weather-stripping at this contact point to protect the grill finish.

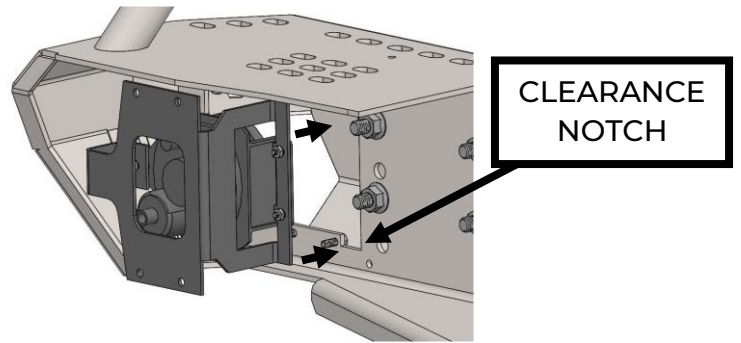
FOG LIGHT INSTALLATION (part #'s 6528 & 6538 only)

- The fog light mounting brackets included with your MOD bumper are designed to install the factory Jeep fog lights. Most aftermarket lights that are designed as an OEM fit UPGRADE should also work.
- The Brackets are identical, therefore it is possible to install the fog lights upside down on the wrong sides of the bumper. Pay close attention to the following instructions and make sure to place the lights on the correct side.

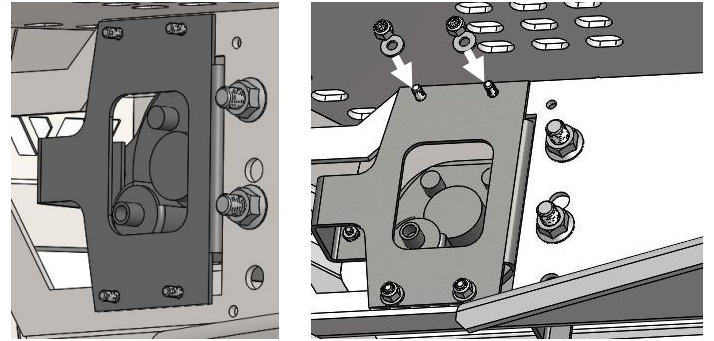
1. Attach the fog lights to the mount brackets included with the bumper.
2. Place the light on the bracket in the orientation shown to the right. Secure the light with the included #10 x 1/2" Button head screws and Keps nuts.
3. The #10 washers may be placed BETWEEN the fog light and mount bracket to adjust side-to-side aim after installation if desired.
4. Before installing the light mount into the bumper, identify the LEFT & RIGHT lights.
5. The lens of the lights should indicate the "TOP" of the light as shown. Additionally, the vertical aim adjustment screw (visible from the back side of the light), will be toward the BOTTOM of the light.
6. The narrow tab of the mount will point away from the center of the bumper.



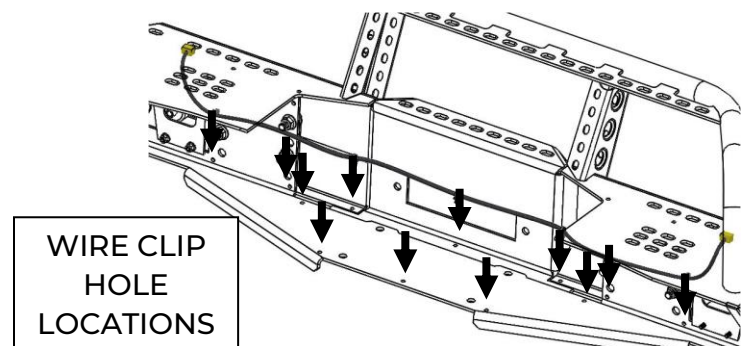
7. Insert the assembled fog light and mount bracket into the bumper (on the correct side as outlined in step 5 above).
8. From the back side of the bumper, insert the light assembly through the opening next to the frame mount plate.
9. The opening has a notch to provide clearance for the large flange of the mount bracket.



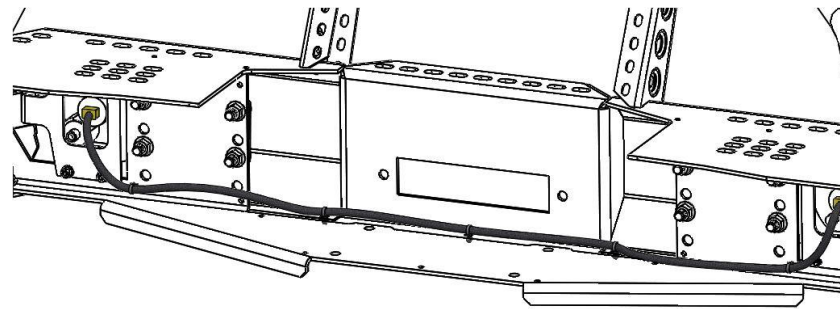
10. After the large tab passes through the opening, shift the mount bracket into place and slide it over the 4 threaded mounting posts.
11. Place a 1/4" washer and Nyloc nut on each post and tighten hardware.



12. Install the factory wire harness for the fog lights.
13. Choose how you want to route the harness and press the supplied wire retaining clips and/or existing harness clips into the small holes in the bumper to secure the harness.
14. NOTE: You can use a small screwdriver to gently pry the hooks of the clip out on the back side of the hole to anchor them better.



15. Plug the appropriate ends into the fog lights, and the plug on the jeep.
16. Turn on fog lights (make sure it is dark enough to see where they project) and aim them vertically to your taste by using a Phillips screwdriver and turning the adjustment screw on the back of the light.



17. If required, adjust horizontal aim by placing the included washers between the fog light housing and the mounting bracket on one side or the other. (Mentioned above in step 3.)
18. Installation is now complete! Enjoy your new Warrior Products MOD Bumper!